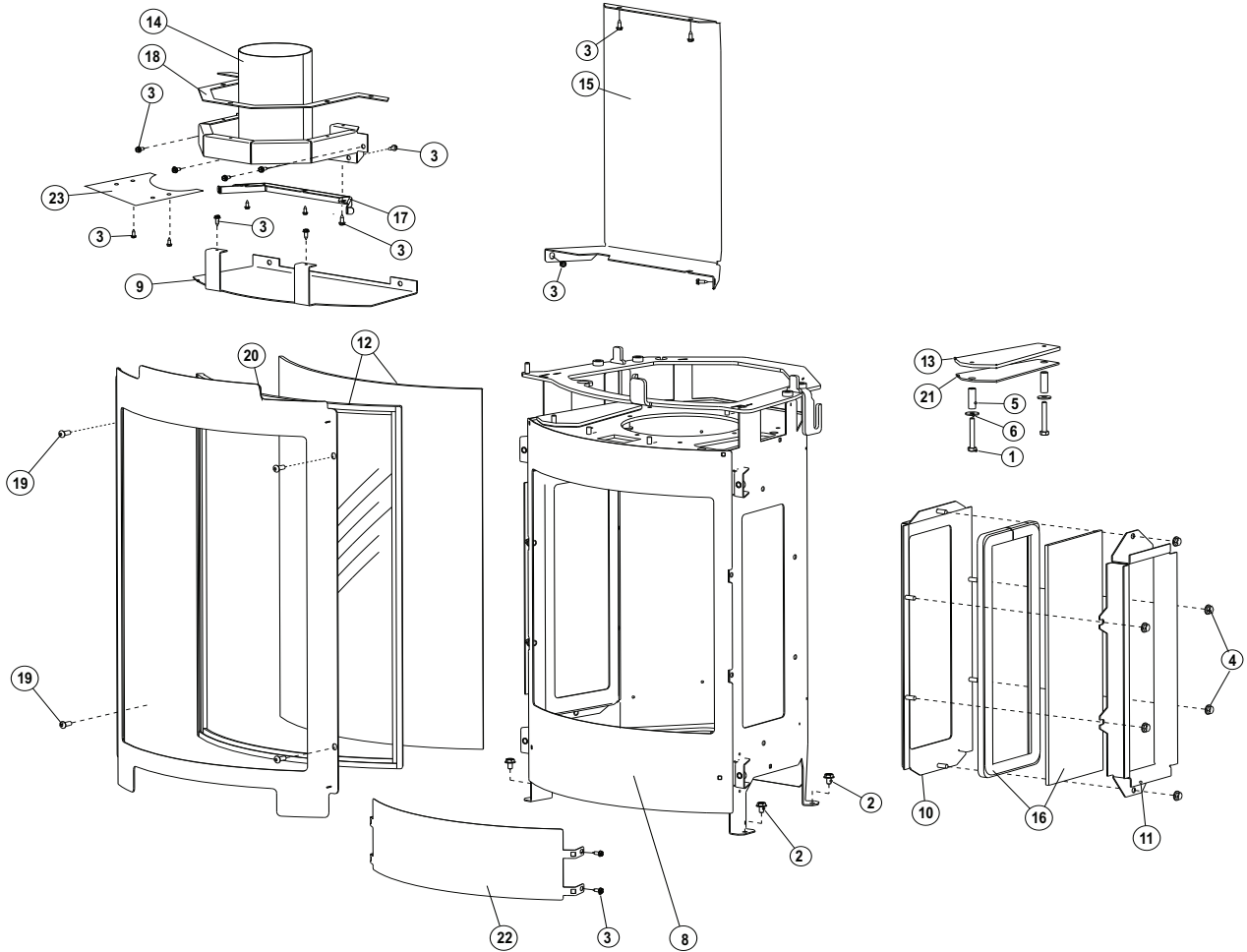


Parts List

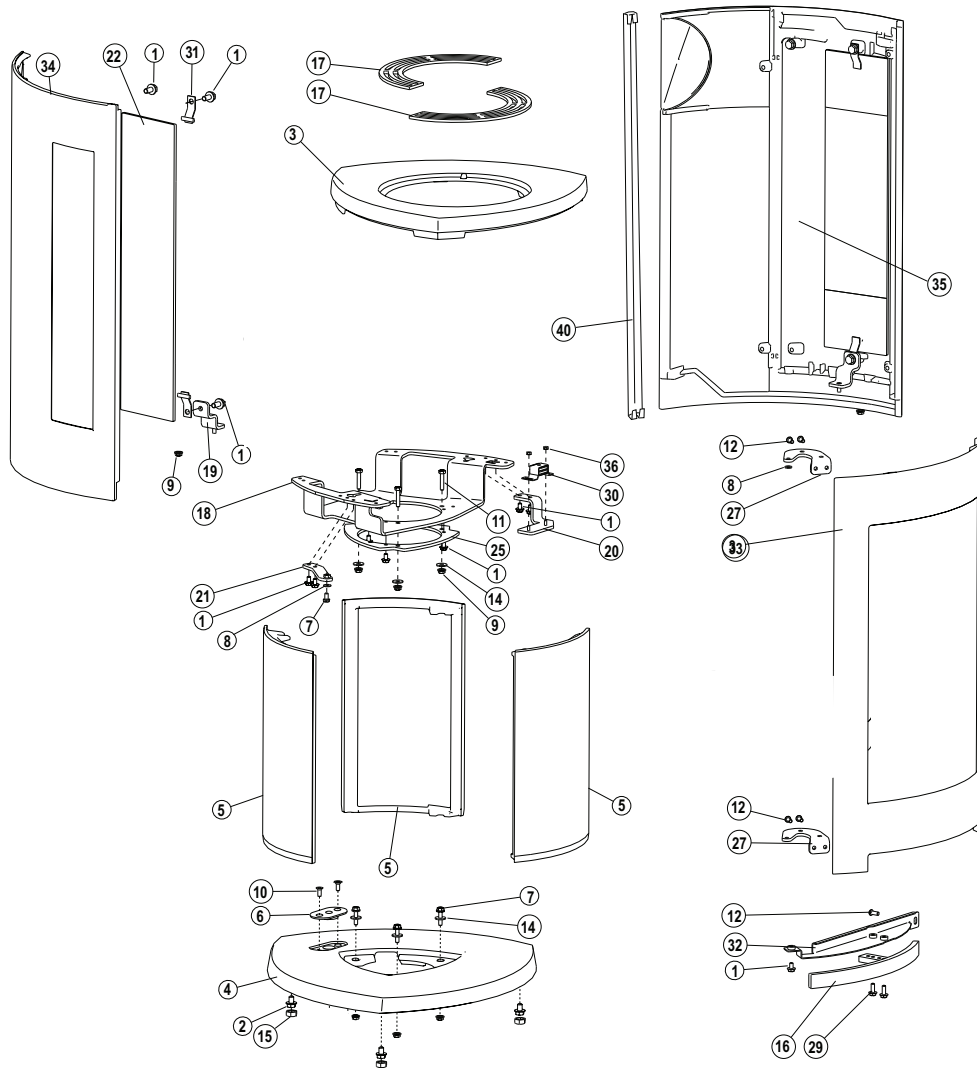
GF 373 BF CE



GF 373 BF CE Firebox components

No.	Part Number	Description	No.	Part Number	Description
1	9911	Bolt, Hex Cap, M6x45, DIN 933, Class 8.8, Blk	14	224710	Intake Manifold
2	9962	Bolt, Hex Cap M6x10 DIN 933 8.8 Ser Flange Blk	15	22320592	Burner Skirt, Rear, GF 370, MB
3	117917	Screw, HWH SMA 8 x 1/2 SL Blk Oxide	16	156834	Replacement Inner Side Glass & Gasket, GF 370
4	117968	Nut, M6 Serrated Flange plain	17	22324392	Panel Retainer, GF 370
5	118267	Spacer, .375 O.D. x 1.50	18	223295	Gasket, Intake Manifold, GF 370
6	120004	Washer, Fender M6 DIN 9021B Zinc	19	118201	Screw, Button Head Socket, M6 X 16, Blk
7	129118	Gasket, Starter	20	22259292	Glass Frame, Curved, GF 370, MB
8	222580	Firebox Weldment, GF 370	21	222993	Gasket, Relief Door, GF 370
9	22258892	Baffle, Firebox, GF 370, MB	22	22328292	Firebox Cover, GF 370, MB
10	22258992	Glass Frame, Side, Inner, GF 370, MB	23	224716	Exhaust Restrictor Plate
11	22273592	Glass Shade, Side, GF 370, MB	24*	223224	Skamol, Rear Panel
12	156833	Replacement Front Glass & Gasket, GF 370	25*	223235	Skamol, Side Panel, 2
13	222981	Delay Door, GF 370			

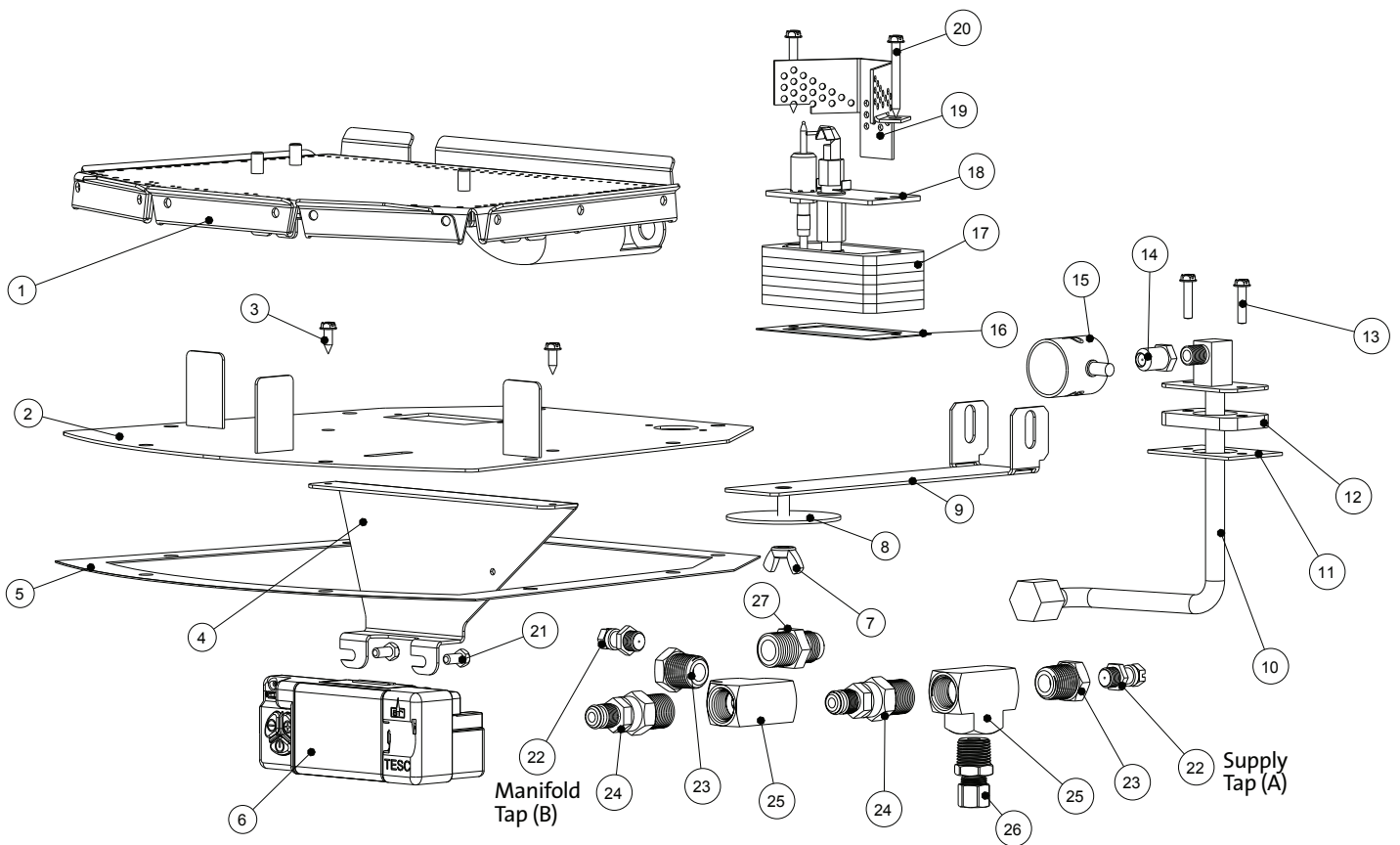
* not illustrated



GF 373 BF CE Exterior components

No.	Part Number	Description
1	117874	Bolt, Hex Hd M8 x 16 Ser Flange Blk
2	99115	Bolt, Hex Hd M8 x 12 Ser Flange Blk
3	10447092	Top Plate, Matte Black Paint
	10447053	Top Plate, White Enamel
4	10431992	Pedestal Base, Matte Black Paint
	10431953	Pedestal Base, White Enamel
5	10448892	Pedestal Side, Matte Black Paint
	10448853	Pedestal Side, White Enamel
6	10453692	Access Cover, Matte Black Paint
	10453653	Access Cover, White Enamel
7	118019	Bolt, Hex Hd Serr Flange M6 x 25 Blk
8	117947	Washer, Flat M6 -.062 DIN 125A Plain
9	117968	Nut, M6 Serrated Flange plain
10	117976	Screw, Flat Head Phillips M6 X 12 M/S Blk
11	9906	Bolt, Hex Cap, M6x30, DIN 933, Class 8.8, Blk
12	117978	Screw, Button Head Socket M6 x 10 Blk
14	120004	Washer, Fender M6 DIN 9021B Zinc
15	222664	Protection Cap, M8 Hex, Black
16	222729	Door Handle, Plated, GF 370
17	22299592	Top Grill, GF 370, MB
18	222998	Bracket, Firebox Mount, GF 370
19	222999	Bracket, Side Support, GF 370
20	22320792	Bracket, Door Catch, GF 370, Matte Black
21	156843	Lower Door Hinge Asy. GF 370, MB
22	156835	Replacement Outer Side Glass, GF 370

No.	Part Number	Description
25	223220	Plate, Centering, GF 370
27	22606992	Hinge, Door, MB
	22606953	Hinge, Door, White Enamel
28	223236	Label, Caution,
29	99625	Bolt, Hex Head Serr Flange M6x16 8.8 Blk
30	223290	Latch, Magnetic
31	156837	Replacement Outer Side Glass Clip Ass'y.
32	22328592	Bracket, Handle, MB
33	10446392	Door, Matte Black Paint
	10446353	Door, White Enamel
34	10446492	Side Plate, Left, Matte Black Paint
	10446453	Side Plate, Left, White Enamel
35	10446592	Side Plate, Right, Matte Black Paint
	10446553	Side Plate, Right, White Enamel
36	118055	Keypnut, M4, Ext. Tooth Lockwasher, Stl, Zinc
37	22383292	Rear Cover, MB
39	118236	Screw, M6 x 20
40	22385292	Rear Seam Molding, Matte Black Paint
	223852WHP	Rear Seam Molding, White Paint



GF 373 BF CE Burner and Valve Assembly

No.	Part Number	Description
1	156812	Burner Weldment
2	226001	Spud Plate Weldment
3	117917	Screw, HWH SMA #8 x 1/2 SL Blk Oxide
4	225943	Bracket, Valve Mount
5	225581	Gasket, Spud Plate
6	158016	Valve Assembly, TESC GF 373 BF CE, G20
	158017	Valve Assembly, TESC GF 373 BF CE, G31
7	117975	Wing Nut, M6 Zinc
8	220734	Gasket, 2.25 in OD x .125
9	223201	Handle, Primary Air
10	223231	Orifice Holder, Drop-in Assembly, 12.5 Tube
11	222280	Gasket, Drop-in Orifice Holder
12	224132	Orifice Holder Spacer
13	117986	Screw, #8 x 3/4 SL HWH SMA Zinc
14	220946	Orifice, #40, G20
	129146	Orifice, 1.5mm, G31
15	221390	Primary Air Shutter
16	129670	Gasket, Pilot Assembly
17	225628	Pilot Shims, Pilot Assembly, (6)
18	225984	Pilot Assembly, TESC Valve - CE Products
19	223204	Pilot Air Deflector
20	118218	Screw, HWH SMA 8 x 1.5" SL Zinc
21	117970	Bolt, Hex Cap M5 x 10 DIN 933 8.9 Plain

No.	Part Number	Description
15	221390	Primary Air Shutter
16	129670	Gasket, Pilot Assembly
17	225628	Pilot Shims, Pilot Assembly, (6)
18	225984	Pilot Assembly, TESC Valve - CE Products
19	223204	Pilot Air Deflector
20	118218	Screw, HWH SMA 8 x 1.5" SL Zinc
21	117970	Bolt, Hex Cap M5 x 10 DIN 933 8.9 Plain
22	225937	Test Point Nipple, 1/8 NPT, B.E.S. 6901
23	226077	Adaptor Fitting, 3/8" Male NPT x Female 1/8"
24	226076	Swivel Fitting, 3/8" Male NPT > M12
25	225980	Tee, Brass, Female NPT
26	220168	Adaptor, Brass, 3/8" NPT to 5/16" Compression
	226036	Adaptor, 3/8" NPT to 1/2" BSPP (G1/2)
27	223215	Adaptor, Straight, Brass, 3/8 NPT x 3/8" Dia. Flare