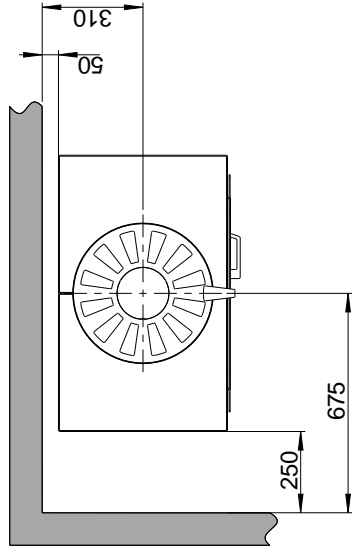
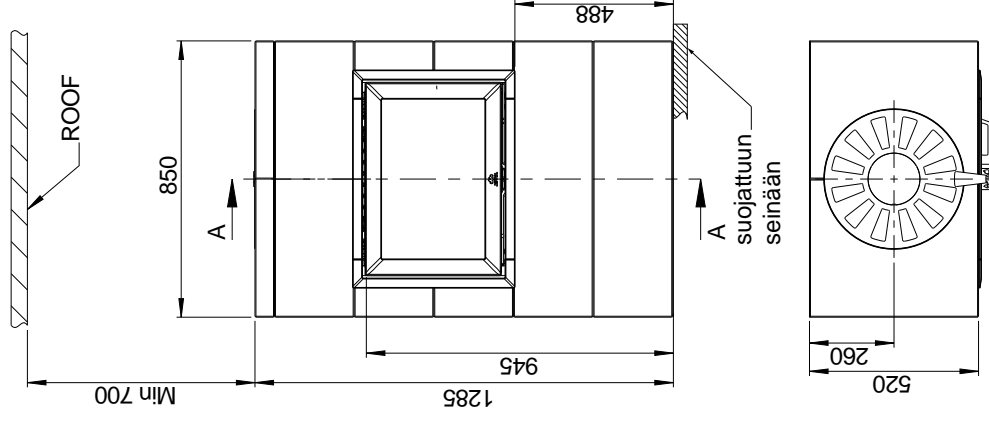
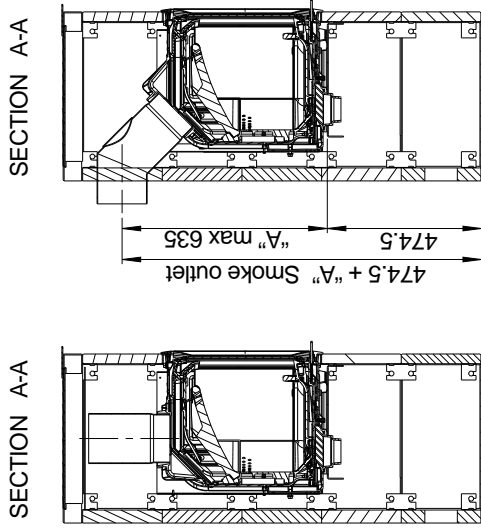


Fig. 1a

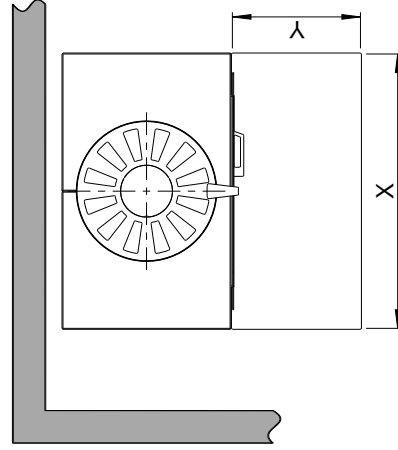
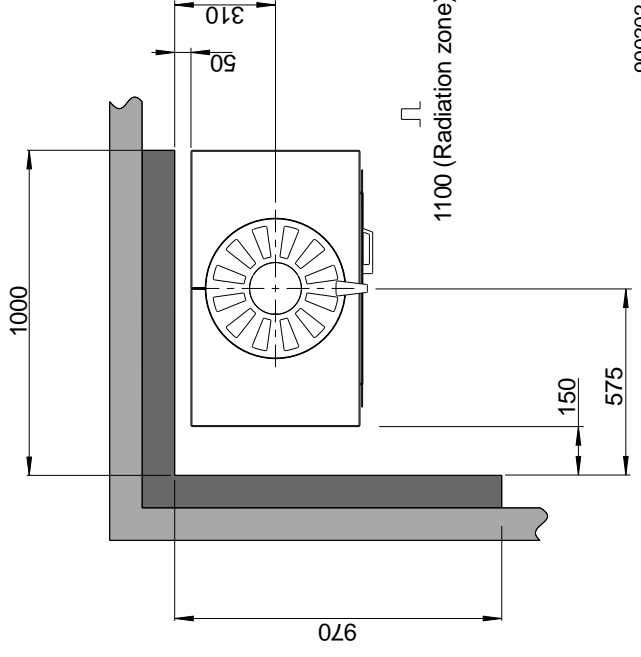
Jøtul FS 175

Combustible wall

Firewall



1100 (Radiation zone)



Min. measurements floorplate
X / Y= According to national laws and regulations