

Jøtul F 500 ECO

Jøtul F 500 ECO
Manual Version P08

UK - Installation and operating instructions	3
FR - Manuel d'installation et d'utilisation	18
ES - Instrucciones para montaje e instalación	34
IT - Manuale di installazione ed uso	50



*The manuals which are enclosed with the product must be kept throughout the product's entire service life.
Les manuels fournis avec le produit doivent être conservés pendant toute la durée de vie du produit.
Los manuales suministrados con este producto deben guardarse durante todo el ciclo de vida del producto. I
manuali inclusi con il prodotto vanno conservati per l'intera durata di vita del prodotto.*



Requirements / Exigences / Requisitos / Requisiti / Vereisten / Forderungen / Wymagania	
Supplier / Fabricante / Fornitore / Vereisten / Lieferant/ Producent:	Jøtul AS
Product models Produits concernés Modelos Modelli Product modellen Varianten der Feuerstelle Modele produktu	Jøtul F 500 ECO
Energy efficiency class / Classe énergétique / Clase de eficiencia energética / Classe energetica / Energie efficiency klasse / Energieeffizienz-Klasse / Klasa efektywności energetycznej	A+
Direct heat output / Puissance réelle de sortie / Potencia calorífica emitida / Emissione di calore diretta / Directe warmte afgifte / Nennwärmeleistung / Bezpośrednia moc grzewcza	8,8 kW
Energy efficiency index / Index de rendement énergétique / Índice de eficiencia energetica / Indice di efficienza energetica / Energie efficiency index / Energieeffizienz-Index / Indeks efektywności energetycznej	109,9
Efficiency at nominal heat output / Rendement à puissance nominale / Eficiencia al rendimiento nominal / Efficienza alla potenza nominale / Efficiency bij nominale warmte afgifte / Wirkungsgrad bei Nennheizleistung / Sprawność dla mocy znamionowej	82 %
<ul style="list-style-type: none"> Any specific precautions that shall be taken when the local space heater is assembled installed or maintained. Toutes les précautions spécifiques doivent être prises lors de l'assemblage, l'installation ou l'entretien de l'appareil. Cualquier precaución específica que deba tenerse en cuenta durante el montaje, instalación o mantenimiento del equipo de calefacción Precauzioni specifiche da prendere quando il riscaldatore viene assemblato, installato o mantenuto in uno spazio. Eventuele specifieke voorzorgsmaatregelen die worden genomen wanneer de plaatselijke ruimteverwarming wordt gemonteerd, geïnstalleerd of onderhouden. Besondere Maßnahmen bei Montierung, Installation und Wartung. Wszelkie szczególne środki ostrożności, które należy podjąć, gdy lokalny ogrzewacz pomieszczeń jest zamontowany lub konserwowany. 	<ul style="list-style-type: none"> Fire safety precautions such as safety distances when installing, national standards, local codes and regulations. See the Instructions manual. Les précautions d'incendie telles que les distances de sécurité lors de l'installation, le suivi des normes, les codes locaux et les réglementations nationales. Veuillez lire le manuel d'installation. Precauciones frente a incendios como distancia de seguridad en la instalación, estándares nacionales, códigos locales y reglamentos. Lea el manual de instalación. Precauzioni per la sicurezza antincendio come le distanze di sicurezza durante l'installazione, le normative nazionali e locali. Leggere il manual. Brandveiligheidsmaatregelen, zoals veiligheidsafstanden bij installatie, nationale normen, lokale codes en voorschriften. Lees de installatiehandleiding. Für brenntechnische Verhältnisse, wie z.B. Aufstellbedingungen und nationale Forderungen. Siehe die Montage- und Bedienungsanleitung. <p>Środki bezpieczeństwa przeciwpożarowego, takie jak odległości od materiałów palnych jakie należy zachować podczas instalacji, normy krajowe, lokalne przepisy i regulacje. Patrz instrukcja obsługi..</p>

UK - Installation and operating instructions

Table of contents

1.0 Relationship to the authorities.....3

2.0 Technical data.....3

3.0 Safety4

4.0 Installation.....6

5.0 Daily use.....10

6.0 Maintenance.....13

7.0 Service.....13

8.0 Operational problems - troubleshooting.....16

9.0 Optional equipment.....17

10.0 Recycling.....17

11.0 Guarantee terms.....17

1.0 Relationship to the authorities

Installation of a fireplace must be in accordance with local codes and regulations in each country.

All local regulations, including those which refer to national and European standards, must be observed when installing the product.

The installation can only be put into use after it has been checked by a qualified inspector. Contact your local building authorities before installing a new fireplace.

A product approval plate of heat-resistant material is to be found in the ash pan. This contains information about identification and documentation for the product.

2.0 Technical data

Materiale	Cast iron
Finish	Black paint
Fuel	Wood
Max. Log length	55 cm
Recommended log length	30-55 cm
Flue outlet	Top, rear
Flue pipe dimension	Ø 150 mm
Outside air connection	Alu. flex - Ø 100 mm
Approx. weight for Jøtul F 500 ECO	ca 200 kg
Optional extras	Heat shield rear, External air kit, Soap stone top cover
Dimensions, distances	See fig. 1

Technical data in acc. with EN 13240	
Nominal heat output	8,8 kW
Flue gas volume	6,6 g/s
Chimney draught, EN 13240	12 Pa
Recommended negative pressure in smoke outlet	12-15 Pa
Efficiency	82% _{@8,8 kW}
CO emissions (13% O ₂)	0,09 %
CO emissions (13% O ₂)	1072 mg / Nm ³
NOx (13% O ₂)	103 mg / Nm ³
OGC (13 % O ₂)	51 mg C /Nm ³
Air consumption	5,5 liter/sec.
Chimney temperature, EN 13240	251 °C
Dust (13% O ₂)	11 mg/Nm ³ @13%O ₂
Fuel consumption	2,4 kg/h
Max. kindling amount	5,2 kg
Nominal kindling amount	1,9 kg
Operation	Intermittent*

*Intermittent combustion in this context means normal use of the fireplace, i.e. fuel is added as soon as the fuel has burnt down to a suitable amount of embers.

Register your fireplace at jotul.com for a 25-year warranty.

Product: Jøtul Room heater fired by solid fuel				CE	
Standard	Classification	Certification standard	Approved by		
Minimum distance to adjacent combustible materials:					
Minimum distance to adjacent combustible materials:					
Emission of CO in combustion products:					
Flue gas temperature:					
Nominal heat output:					
Efficiency:					
Operation range:					
Fuel type:					
Operational type:					
The appliance can be used in a shared flue.					
Country	Classification	Certification standard	Approved by		
Norway	Klasse II				
Sweden	rev.	SP	SP Sveriges Provnings- och Forskningsinstitut AS		
EUR	Intermittent	EN	EP-Swedish National Testing and Research Institute		
Follow user's instructions. Use only recommended fuels. Montage- und Bedienungsanleitung beachten. Verwenden Sie nur empfohlenen Brennstoffen. Respectez les consignes d'utilisation. Utilisez uniquement les combustibles recommandés.					
Lot no: Y-xxxx, Year: 200x					
Manufacturer: Jøtul AS POB 1 641 N-1652 Fredrikstad Norway		221546			

On all our products there is a label indicating the serial number and year. Write this number in the place indicated in the installation instructions.

Always quote this serial number when contacting your retailer or Jøtul.

Lot no.	Pin.
<input type="text"/>	<input type="text"/>

ENGLISH

3.0 Safety

NB! To guarantee optimal performance and safety, Jøtul recommends that its stoves are fitted by a qualified installer (see www.jotul.com for a complete list of dealers).

Any modifications to the product may result in the product and safety features not functioning as intended. The same applies to the installation of accessories or optional extras not supplied by Jøtul. This may also be the case if parts that are essential to the functioning and safety of the fireplace have been disassembled or removed.

In all these cases, the manufacturer is not responsible or liable for the product and the right to make a complaint becomes null and void.

3.1 Fire Prevention Measures

There is a certain element of danger every time you use your fireplace. The following instructions must therefore be followed:

- The minimum safety distances when installing and using the fireplace are given in **fig. 1**. The specified distance to flammable materials, applies to this stove. The stove must be installed with a CE approved flue. The distance of the flue pipe to combustible materials must also be observed.
- Ensure that furniture and other flammable materials are not too close to the fireplace. Flammable materials should not be placed within **1000 mm** of the fireplace.
- Allow the fire to burn out. Never extinguish the flames with water.
- The fireplace becomes hot when lit and may cause burns if touched.
- Only remove ash when the fireplace is cold. Ash can contain hot embers and should therefore be placed in a non-flammable container.
- Ash should be placed outdoors or be emptied in a place where it will not present a potential fire hazard.

In case of chimney fire:

- Close all hatches and vents.
- Keep the firebox door closed.
- Call the fire service.
- Before use after a fire an expert must check the fireplace and the chimney in order to ensure that it is fully functional.

3.2 Floor

Foundation

You need to make sure the foundation is suitable for a fireplace. See “**2.0 Technical Data**” for specified weight.

We recommend the removal of any flooring that is not attached to the foundation (“floating floors”) beneath the installation.

Requirements for protection of wooden flooring beneath the fireplace

The product can be placed directly on a wooden floor, protected by a floor plate made from non combustible material (recommended thickness - minimum 0,9 mm)

Jøtul recommends that any flooring made of combustible material, such as linoleum, carpets, etc. should be removed from under the floor plate.

Requirements for protection of inflammable floors in front of the fireplace

The front plate must comply with national laws and regulations. Please note that there is a side door on the product. Contact your local building authorities regarding restrictions and installation requirements.

3.3 Walls

- The product should be placed so that it is possible to clean the stove, flue pipe and chimney outlet.
- Make sure furniture and other combustible materials do not get too close to the stove.
- Make sure furniture and other items are not placed too close to the stove, to prevent them from drying out.

Distance to walls made of combustible material - see **fig. 1**

The stove must be installed with a CE approved flue pipe.

The distance from flue pipes to combustible materials must also be taken into account.

Combustible wall protected by firewall

Distance to combustible wall protected by firewall: See **fig. 1**.

Distances with insulated chimney/shielded flue pipe are shown in **fig. 1**.

Firewall requirement

The firewall must be at least **100 mm** thick and be made of brick, concrete-stone or light concrete. Other materials and structures with satisfactory documentation may also be used.

Non-combustible wall (all the way through)

The fireplace can be installed with a minimum of **200 mm** to non-combustible wall if the distance from the fireplace to all combustible materials are a minimum of **500 mm**.

Non-combustible materials mean materials like brick, clinker, concrete, mineral wool, silicate plates etc (materials that do not burn). **Note!** A short distance to non-combustible wall may lead to desiccation and discoloration of paint and cause cracking.

3.4 Ceiling

There must be a minimum distance of **750 mm** to a combustible ceiling above the fireplace.

JØTUL F 500 ECO

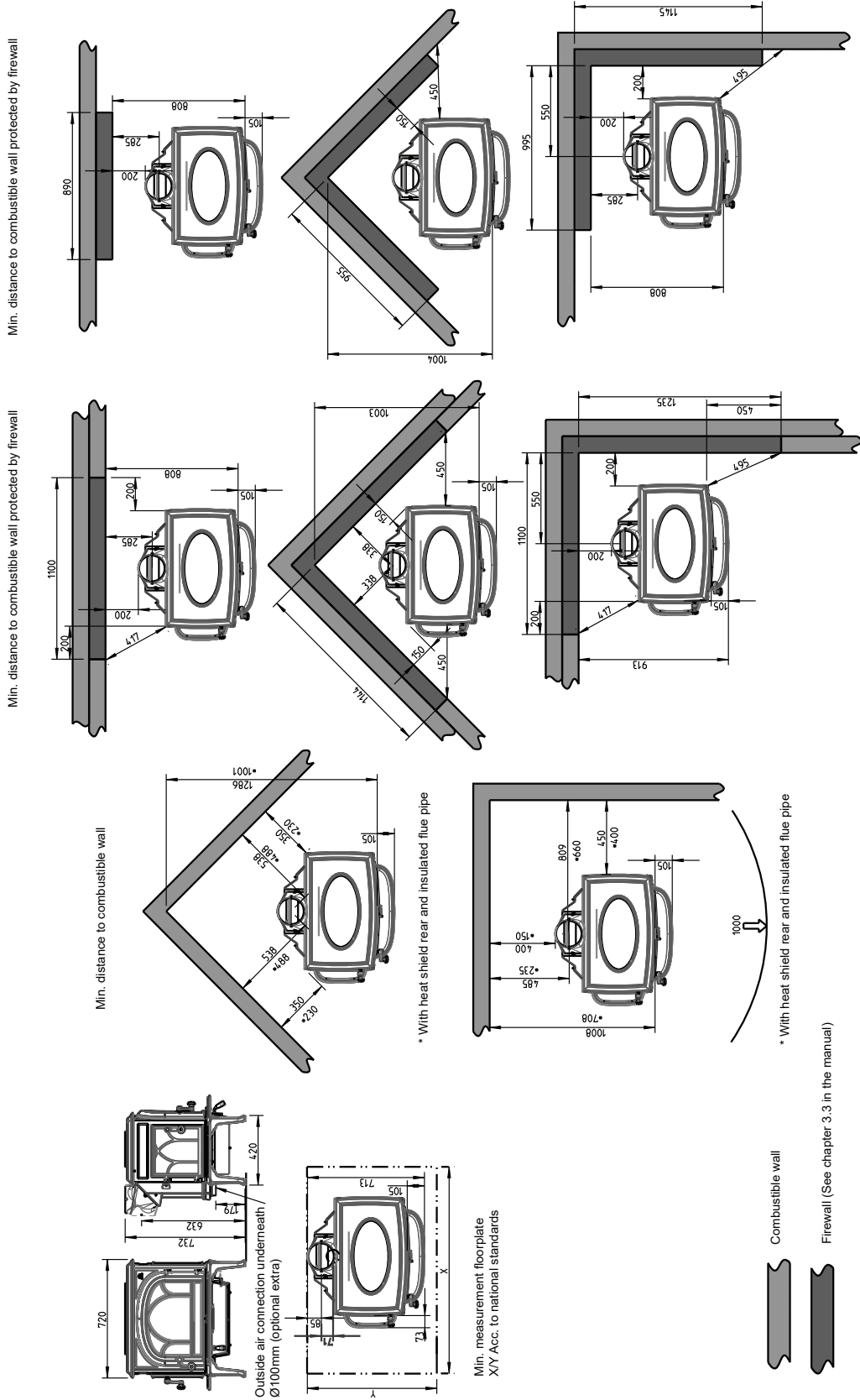


Fig. 1

ENGLISH

4.0 Installation

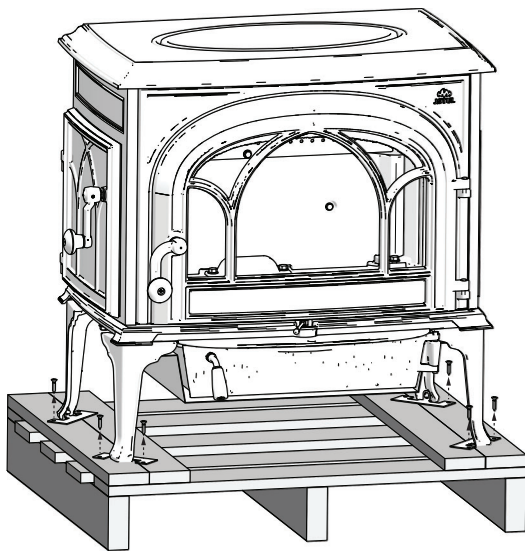
- Before installing the fireplace, check it carefully for any signs of damage.
- The product is heavy! Ask someone to help you when positioning and installing it.
- **Make sure that furniture and other household items are at a safe distance from the fireplace to protect them from drying out.**

4.1 Prior to installation

1. The standard product comes in one package.
2. Remove the bag of screws and ash lip from the stove.
3. When the product is unpacked, release it from the pallet.

Make sure everything is in order.

Fig. 2 Release from pallet



1. Remove the 8 transport screws

4.2 Installation

Fig. 3a Assemble the side door handle - parts

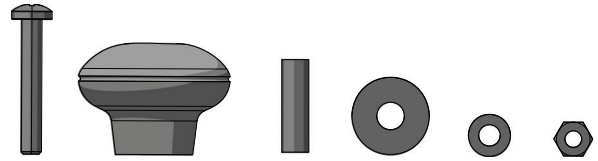
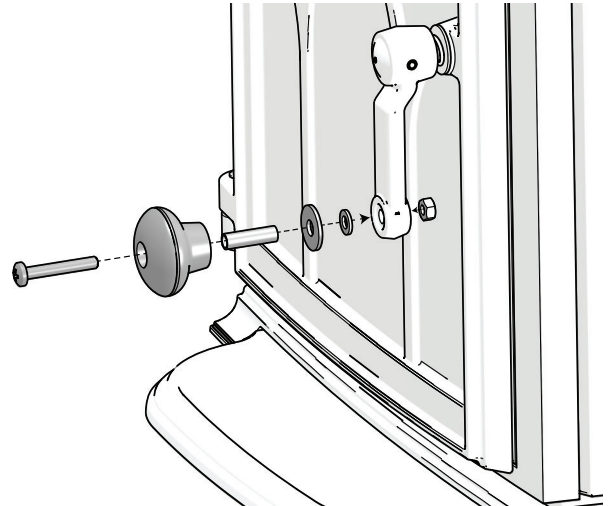


Fig. 3b Assemble the side door handle



1. Mount the wooden knob on the side door handle. The parts are in the bag of screws.

Fig. 4a Assemble the ash door handle - parts

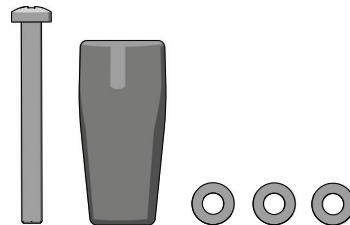
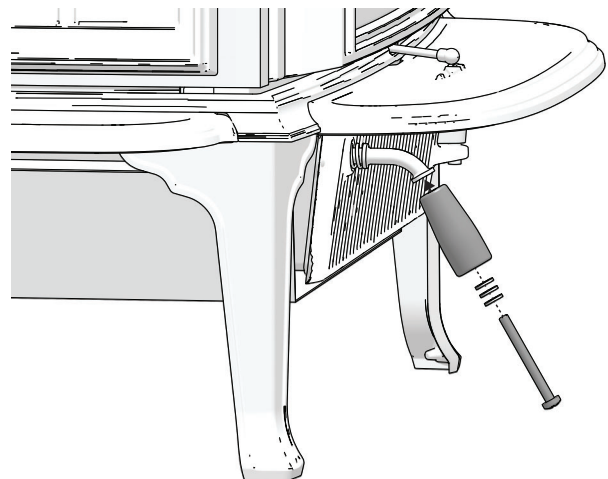
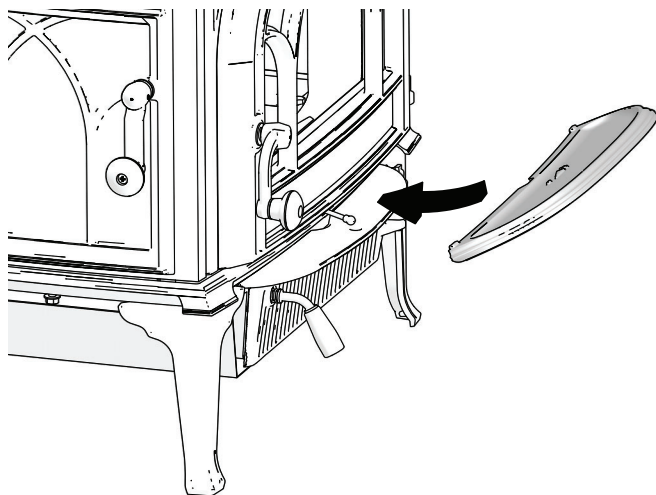


Fig. 4b Assemble the ash door handle



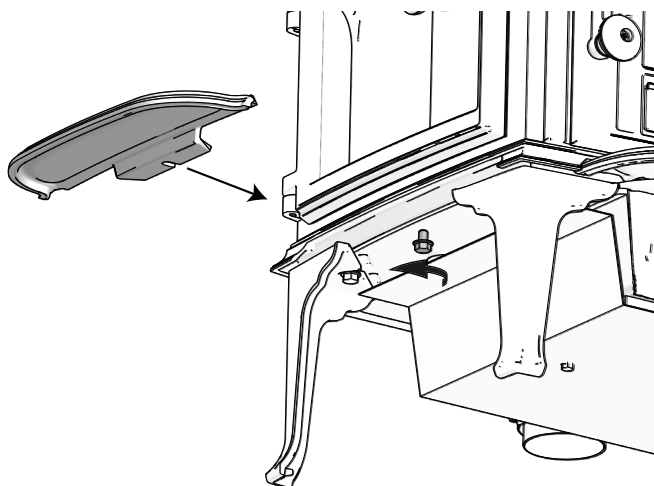
1. Mount the wooden knob on the ash door handle. The parts are in the bag of screws.

Fig. 5 Mount the ash lip front



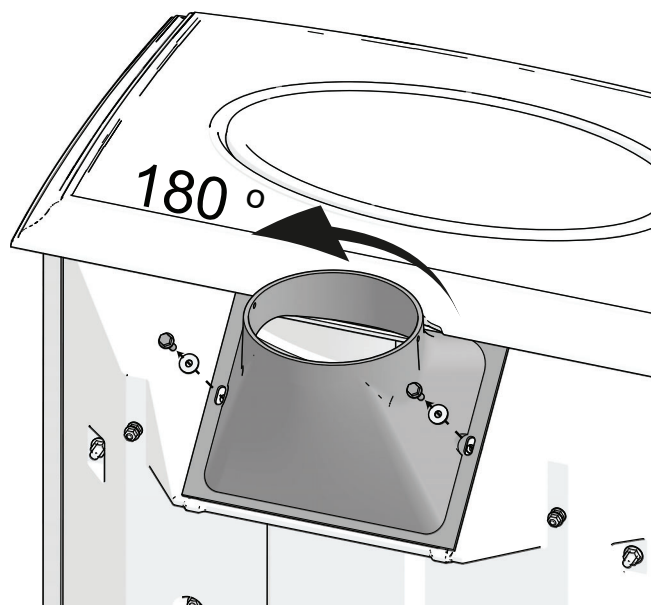
1. The ash lip is mounted on the front of the stove.

Fig. 6 Mount ash lip side



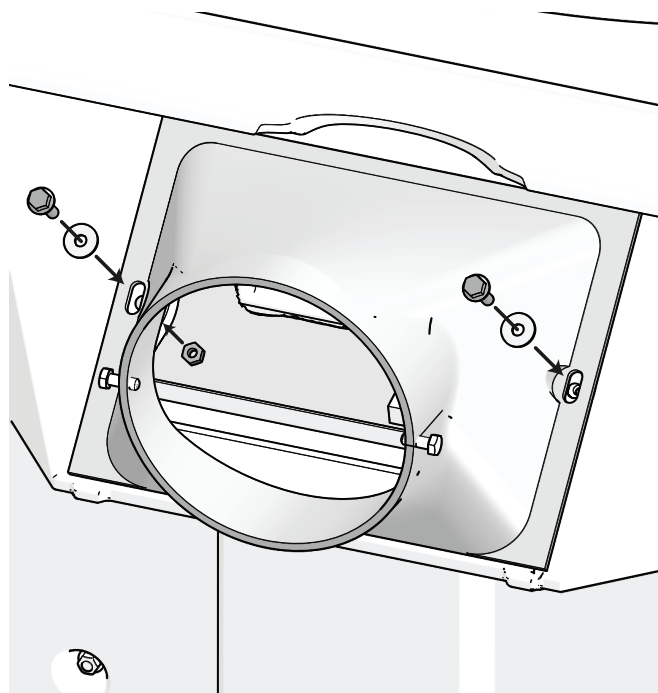
1. The ash lip side is mounted under the side door. Tighten the screw on the bottom to secure the ash lip.

Fig. 7a Switch from top outlet to rear outlet



1. Unscrew the 2 screws with nuts on the back.
2. Rotate the smoke outlet 180 degrees.

Fig. 7b



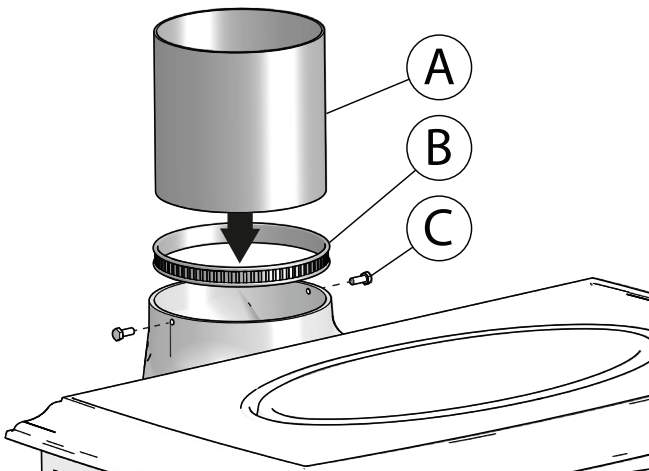
3. Attach the smoke outlet with the same screws from **fig.7a**.

ENGLISH

Assembly of the flue pipe

The product is assembled for a top outlet as standard.

Fig. 8 Assembling the flue pipe



1. Mark on the flue pipe (A) where the screws hit when the flue pipe is completely at the bottom of the smoke outlet and drill a 7 mm hole in the flue pipe for the screws (C).
2. Pull the protective paper off the supplied gasket (B) and attach it to the outer end of the flue pipe.
3. Insert the flue pipe into the smoke outlet and secure with the 2 screws (C) from the bag of screws.

Flue pipe is installed in the same way for top and rear outlet.

4.3 Assembly with an external air supply (optional extra)

Fresh air supply

The air used for combustion in any well-insulated house needs to be replaced. This is particularly important in houses with mechanical ventilation. Such replacement air can be procured in several ways. The most important thing is to supply the air to the room where the stove is placed. Place the outside wall valve as close to the stove as possible and make sure that it can be closed when the stove is not in use.

For the fresh air supply connection, follow the national and local building regulations.

Important! Ensure that air vents in the room where the fireplace is located are not blocked.

Closed combustion system

Use the stove's closed combustion system if you live in recently built, airtight dwellings. Connect the external combustion air through a ventilation pipe through the wall or the floor.

Air supply

The amount of combustion air for Jøtul's products is approximately 20-40 m³/h. The outside air connection may be fitted directly to the Jøtul F 500 ECO through:

- the bottom
- through a flexible supply hose from the outside/chimney (only if the chimney has its own duct for external air) and to the product's outside air connector.

Fig. 9a Through an outside wall

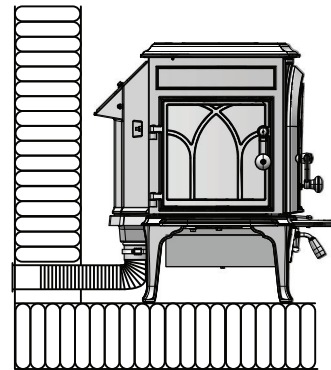


Fig. 9b Through the floor and ground plate

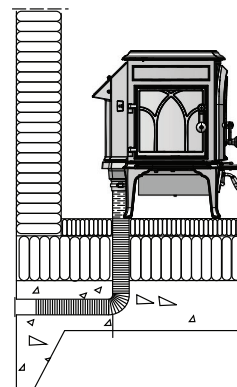


Fig. 9c Through the floor and basement

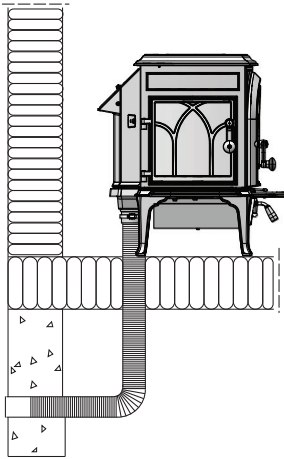


Fig. 9d indirectly through an outside wall

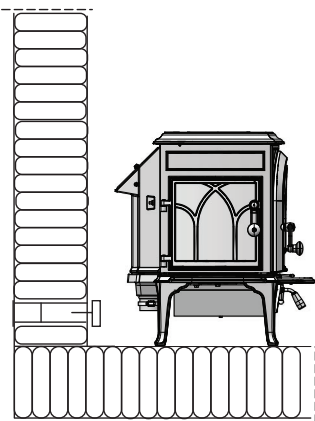
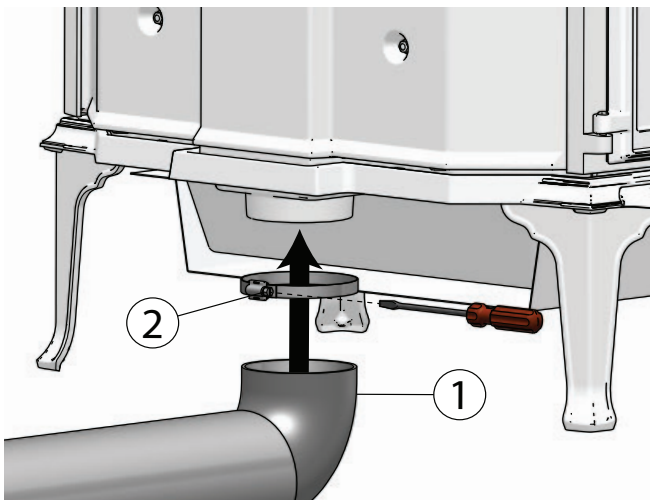


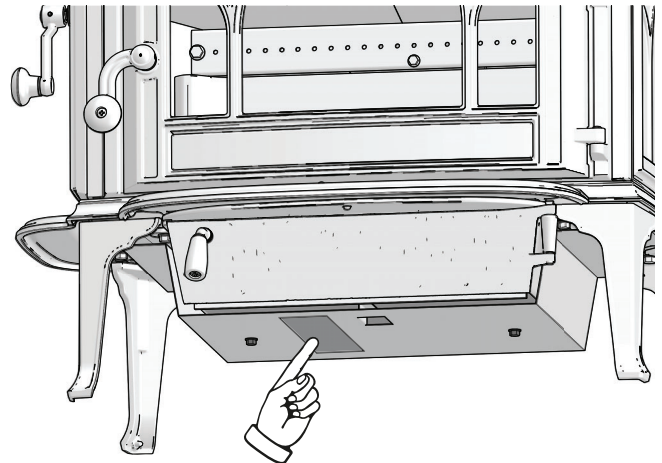
Fig. 10 Mounting of external air supply connection



1. Place the external air supply connection with the hose clamp on the outside air hole.
2. Tighten with screwdriver.

4.4 Location of approval label

Fig. 11 Approval label



1. The approval label is located at the bottom of the stove.

4.5 Chimney and flue pipe

- The fireplace must only be connected to a chimney and flue pipe approved for solid fuel fireplaces with flue gas temperatures as specified in «2.0 Technical Data».
- For flue pipe dimension see “2.0 Technical Data”. NB: The chimney’s diameter must be at least as big as the flue pipe: Ø150 mm flue pipe - 177 cm².
- Connection to the chimney must be carried out in accordance with the chimney supplier’s installation instructions.
- Before a hole is made in the chimney, the product should be test-mounted in order to correctly mark the position of the fireplace and the hole in the chimney. See fig. 1 for minimum dimensions.
- Use a flue pipe bend with a sweep hatch to allow sweeping.
- Flue pipe bends with any change in direction influence/reduce the chimney draught. This effect also applies when horizontal flue pipes are used. Please note that it is extremely important for connections to have a degree of flexibility. This is to prevent any movement in the installation leading to the formation of cracks.
- For recommended chimney draught, see «2.0 Technical Data».

NB! The minimum recommended chimney length is 4 m from the flue pipe insert. If the draught is too strong, a flue pipe damper can be installed and used to reduce the draught. If a flue damper is fitted it must be of a type, which does not block the flue totally. The damper should be easy to operate and incorporate an aperture within the blade, which in a continuous area occupies at least 20 cm² or 3 % of the cross-sectional area of the blade if this is greater.

The position of the damper should be recognizable from the setting of the device.

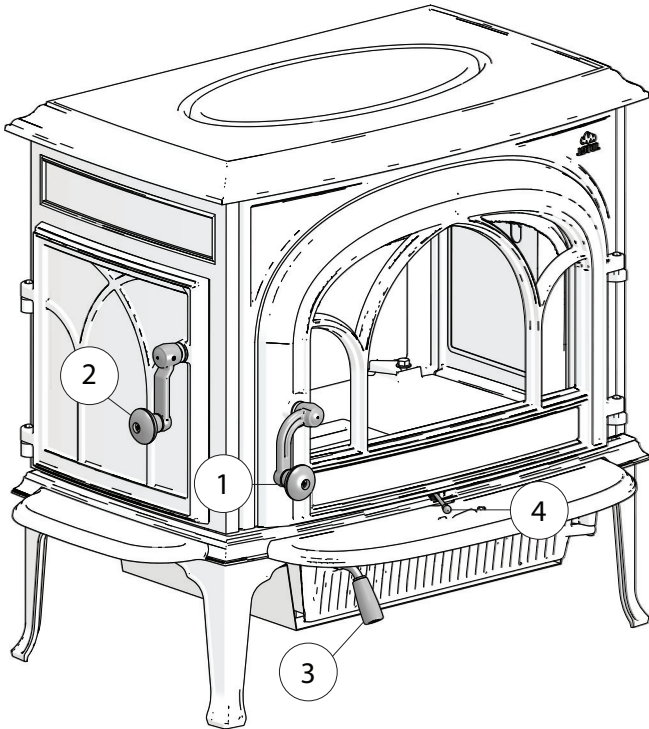
If a draught regulator is fitted the minimum cross sectional area requirement shall not be applicable but the device should be easily accessible for cleaning.

ENGLISH

4.6 Performance check

Once the product has been assembled, always check the control handles. These should move easily and work in a satisfactory manner.

Fig. 12 The Jøtul F 500 ECO is equipped with the following operating options:



1. Handle front door. To open, lift the handle up (clockwise) and pull out.
2. Handle side door. To open, lift the handle up (clockwise) and pull out.
3. Handle ash door. To open, lift the handle up (counterclockwise) and pull out.
4. Air/ignition valve. Adjust in the horizontal direction (see fig. 13)

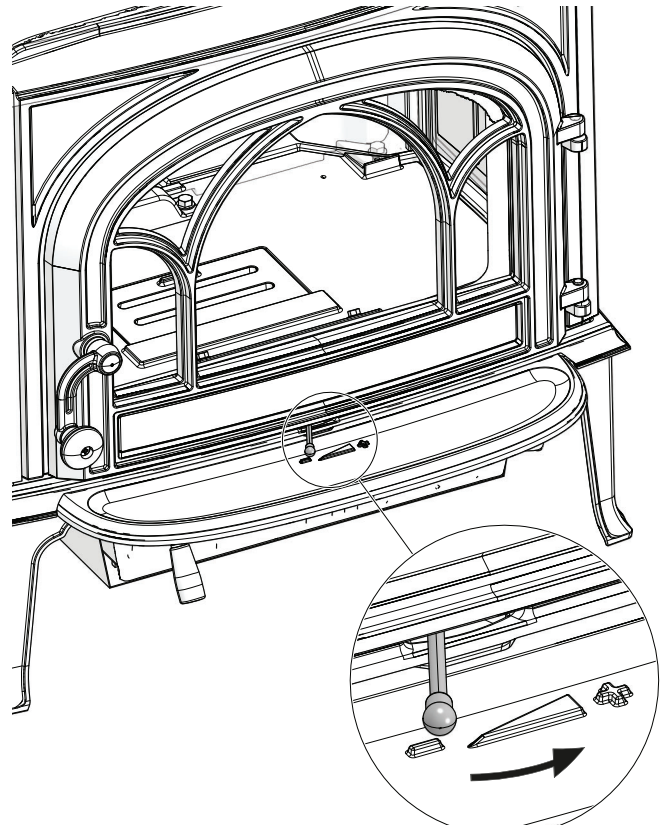
5.0 Daily use

5.1 Odours when using the fireplace for the first time

When the fireplace is used for the first time, it may emit an irritating gas which may smell slightly. This happens because the paint dries. The gas is not toxic but the room should be thoroughly ventilated. Let the fire burn with a high draught until all traces of the gas have disappeared and no smoke or odours can be detected.

5.2 Valve adjustment

Fig. 13



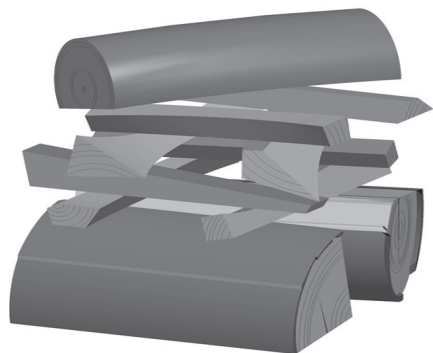
Pulled to the right : **Open** (used during ignition).

Shifted to the left: Closed.

5.3 Use

- Open the air/ignition valve by pulling it to the right. If necessary, keep the door slightly open. (Use a glove, for example, as the handle can become hot.)
- Place two medium sized logs in/out on each side of the base. N.B. In order to avoid sooting on the glass, it is important that the log is not placed adjacent to the glass on the product.
- Put 2-3 briquettes (or birch bark) between these and add some kindling wood in a criss-cross pattern on top and light the newspaper.
- Gradually increase the size of the woodlogs.
- Finally, place a medium-sized log on the top of the pile.
- Then regulate the rate of combustion to the desired level of heating by adjusting the air vent.
- Close the stove door. It must always be closed when the fire is lit.
- Operation with the air controls or appliance dampers open can cause excess smoke. The appliance must not be operated with air controls, appliance dampers or door left open except as directed in the instructions.
- Operation with the door open can cause excess smoke. The appliance must not be operated with the appliance door left open except as directed in the instructions.

Fig. 14



5.4 Adding firewood

Stoke the stove frequently but only add small amounts of fuel at a time. If the stove is filled too full, the heat created may cause extreme stress in the chimney. Add fuel to the fire in moderation. Avoid smouldering fires as this produces the most pollution. The fire is best when it is burning well and the smoke from the chimney is almost invisible.

If there is insufficient burning material in the firebed to light a new fuel charge, excessive smoke emission can occur. Refuelling must be carried out onto a sufficient quantity of glowing embers and ash that the new fuel charge will ignite in a reasonable period. If there are too few embers in the fire bed, add suitable kindling to prevent excessive smoke.

5.5 Heating advice

NB: Logs that have been stored outdoors or in a cold room should be brought indoors 24 hours before use to bring them up to room temperature.

There are various ways of heating the stove but it is always important to be careful about what you put in the stove. See the section on “**Wood quality**”.

NB! Combustion with too low air supply can lead to poor combustion, poorer efficiency, high particulate emissions, black carbon and other health and climate hazardous compounds.

Wood quality

By quality wood we mean most well-known types of wood such as birch, spruce and pine.

The logs should be dried so that the moisture content is no more than 20%.

To achieve this, the logs should be cut during the late winter. They should be split and stacked in a way that ensures good ventilation. The wood stacks should be covered to protect the logs from rain. The logs should be brought indoors during early autumn and stacked/stored for use in the coming winter.

Be especially careful never to use the following materials as fuel in your fireplace:

- Household rubbish, plastic bags, etc.
- Painted or impregnated timber (which is extremely toxic).
- Laminated wooden planks.
- Driftwood

These may harm the product and are also pollutants.

NB: Never use petrol, paraffin, methylated spirit or similar liquids to light the fire. You may cause serious injury to yourself and damage to the product.

5.6 Wood consumption

Jøtul F 500 ECO has a nominal heat output of **ca. 8,8 kW**. Use of wood, with nominal heat emission: Approx. **2,4 kg/h**. The size of the logs should be:

Kindling:

Length: 30-55 cm

Diameter: 5 cm

Amount per fire: 5-8 pieces

Firewood (split logs):

Length: Ca 35 cm

Diameter: Approx. 8-13 cm

Intervals for adding wood: Approximately every 48 minutes

Size of the fire: 1,97 kg (nominal efficiency)

Amount per load: 3 pieces

The given testresults have been obtained by loading 3 logs á 35 cm, total weight of 1,97 kg. The logs are laid across. Valve set for about 40 % air.

The maximum amount of fuel specified in this manual should not be exceeded, overloading can cause excess smoke.

5.7 Danger of overheating

The fireplace must never be used in a manner that causes overheating.

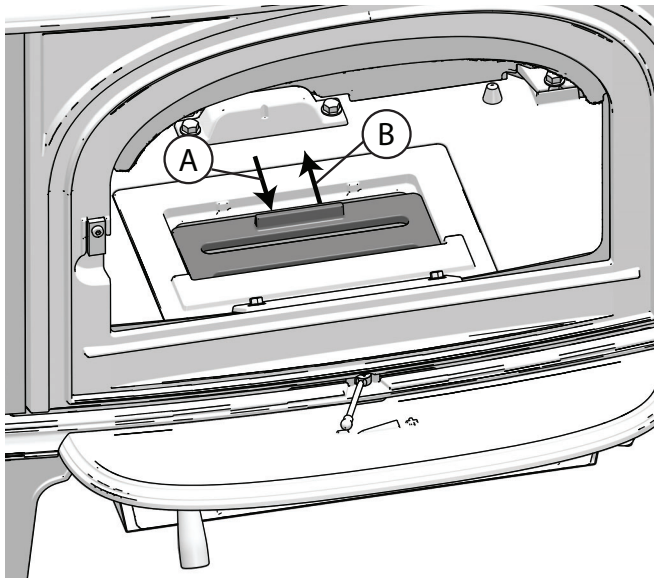
Overheating occurs when there is too much fuel and/or too much air so that too much heat develops. A sure sign of overheating is when parts of the fireplace glow red. If this happens, reduce the air vent opening immediately.

Seek professional advice if you suspect that the chimney is not drawing properly (too much/too little draught). For further information, see «**4.0 Installation**» (**Chimney and flue pipe**).

5.8 Removing the ashes

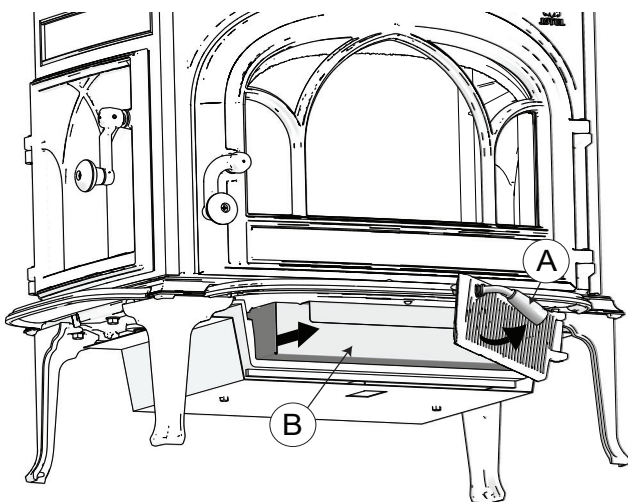
- Only remove ashes when the fireplace is cold.
- Use a shovel to scrape the ashes out.
- Ashes should be placed outside in a metal container.

Fig. 15 Ash grate



1. The ash grate is opened (A) by pulling towards the door, using a suitable fireplace tool.
2. The ashes are swept down through the ash grate.
3. Close the ash grate (B) afterwards. This must be closed during firing to obtain optimum combustion.

Fig. 16 Ash pan



4. Open the ash door with the handle (A). Remove the ash pan (B) and empty the ash into a suitable container, then replace the ash pan.

5.9 How wind and weather affect the stove

The performance of the stove can be affected considerably by the wind acting on the chimney at different strengths. It may therefore be necessary to adjust the air supply to ensure good combustion performance. It might also be a good idea to install a damper in the flue pipe so that the chimney draught can be regulated according to the strength of the wind.

Fog and mist can have a significant impact on the chimney draught and it might be necessary to use other combustion air settings to ensure good performance.

5.10 Condensation

Condensation in a fireplace / flue pipe / chimney may occur. This may be caused by moist firewood or differences in temperature in the fireplace and environment.

Condensed water coming from the fireplace appears as a black, tar-like liquid. This should be wiped off immediately to avoid discoloration of the fireplace, floor or surrounding building components.

It is important to get the wood burning quickly to avoid condensation

If the condensation continues, mineral sand can be placed on the bottom plate.

5.11 The importance of the chimney

The chimney is the engine that drives the fireplace and it's essential to have a good chimney in order for the fireplace to function properly.

The draught in the chimney creates a vacuum in the stove. The combustion air is also used for the airwash system that keeps the window clear of soot.

The draught in the chimney is caused by the difference in temperatures inside and outside the chimney. The greater the temperature difference, the better the draught in the chimney. It is therefore important to allow the chimney to reach operating temperature before adjusting the air vents to restrict combustion in the stove (a brickwork chimney takes longer to reach operating temperature than a steel chimney).

It is particularly important to reach operating temperature as quickly as possible on days on which the draught in the chimney is poor due to unfavourable wind and weather conditions. Make sure the fuel ignites as quickly as possible. Practical tip: Chop the wood into much smaller pieces and use an extra firelighter.

NB: If the stove has not been used for some considerable time, it is important to check the chimney pipe for blockage.

ENGLISH

6.0 Maintenance

6.1 Cleaning the glass

The product is equipped with an air wash for the glass. Air is sucked in through the air vent on the top of the product and down along the inside of the glass.

However, some soot will always stick to the glass, but the quantity will depend on the local draught conditions and adjustment of the air vent. Most of the soot layer will normally be burned off when the air vent is opened all the way and a fire is burning briskly in the fireplace.

Good advice! For normal cleaning, moisten a paper towel with warm water and add some ash from the burn chamber. Rub it over the glass and then clean the glass with clean water. Dry well. If it is necessary to clean the glass more thoroughly we recommend using a glass cleaner (*follow the instructions on the bottle*).

6.2 Cleaning and soot removal

Soot deposits may build up on the internal surfaces of the fireplace during use. Soot is a good insulator and will therefore reduce the fireplace's heat output. If soot deposits accumulate when using the product, they can be easily removed by using a soot remover.

In order to prevent a water and tar layer from forming in the fireplace you should regularly allow the fire to burn hot in order to remove the layer. An annual internal cleaning is necessary to get the best heating effect from the product. It is a good idea to do this in connection with the sweeping of the chimney and flue pipes.

6.3 Sweeping of flue pipes to the chimney

On certain free-standing fireplaces the top plate can be lifted off and the pipe swept through the top. Otherwise, flue pipes must be swept through the flue pipe sweeping hatch or through the product's door opening. Then, the baffle must be removed.

6.4 Inspection of the fireplace

Jøtul recommends that you personally inspect your fireplace carefully after sweeping/cleaning. Check all visible surfaces for cracks. Also check that all joints are sealed and that the gaskets are in the correct position. Any gaskets showing signs of wear or deformation must be replaced.

Thoroughly clean the gasket grooves, apply ceramic glue (available from your local Jøtul dealer), and press the gasket well into place. The joint will dry quickly.

6.5 Exterior maintenance

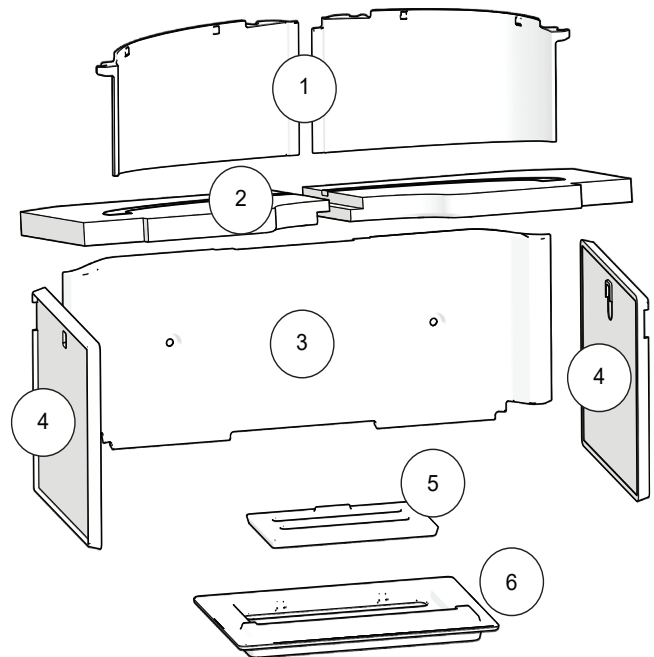
Painted products may change colour after several years usage. The surface should be cleaned and brushed free of any loose particles before new paint is applied.

Important! Never place anything on the top plate of the stove. This could cause permanent damage to the paint or enamel.

7.0 Service

Any unauthorised modifications to the product are prohibited!
Only original spare parts may be used!

Fig. 17

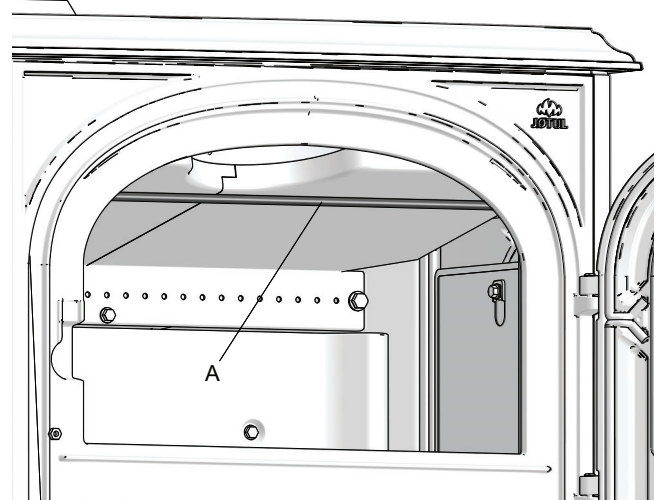


1. Exhaust deflector (2 pieces)
2. Baffle plate (2 pieces)
3. Rear burn plates
4. Side burn plates (2 pieces)
5. Ash grate
6. Ash grate holder

7.1 Replacing the baffle plate

Use tools with great care.

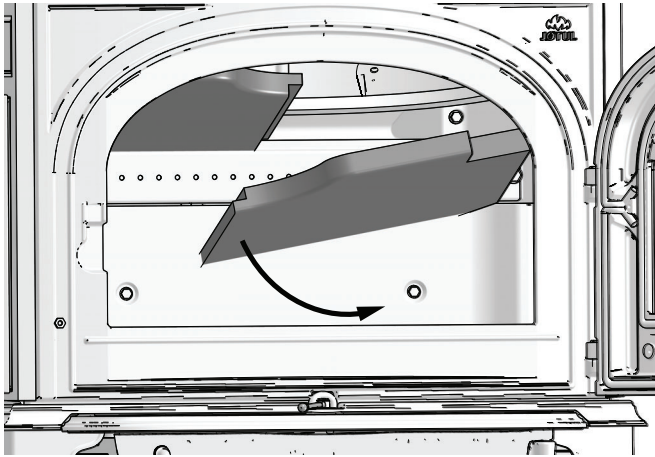
Fig. 18a Loosen the baffle plates



1. The support bar (A) that holds the baffle plate up is lifted up and towards you before it is edged out of the stove. **NB:** The two baffle plates are now loose and must be supported so that they do not fall.

ENGLISH

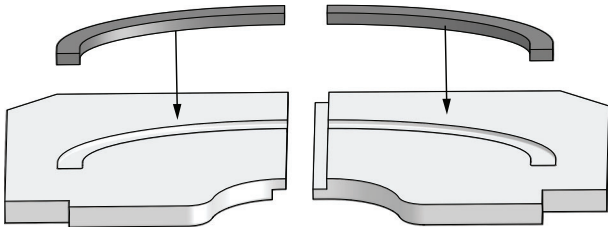
Fig. 18b Removing of baffle plates



2. The baffle plates are now loose and can be edged out of the stove. **NB:** Right plate first, then left.

When refitting, follow the same procedure in reverse order (first see fig. 18c).

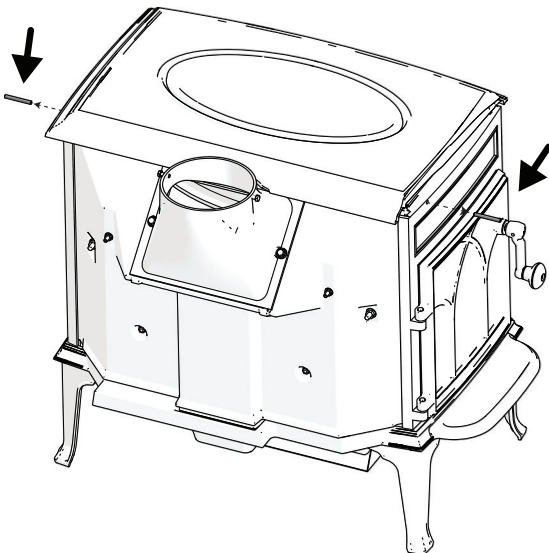
Fig. 18c Replace gasket on baffle plate



3. When replacing the baffle plate, the gasket against the exhaust deflector must also be replaced. This is done by putting the included gaskets in grooves on the top of the baffle plate.

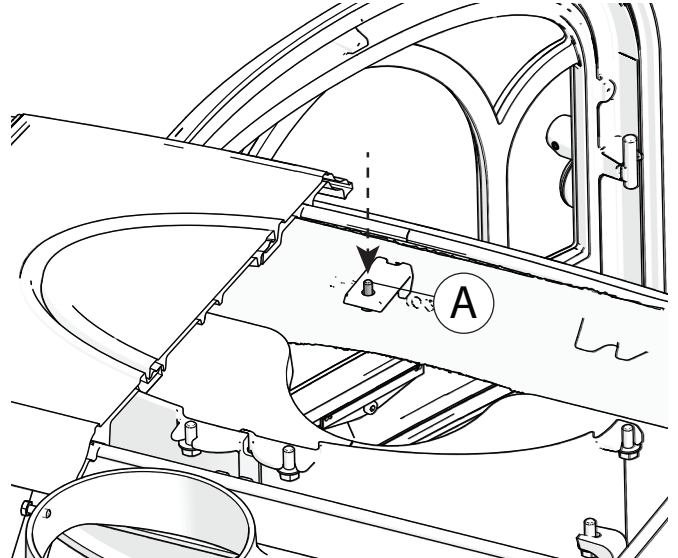
7.2 Replacing the exhaust deflector

Fig. 19a Replacing the exhaust deflector



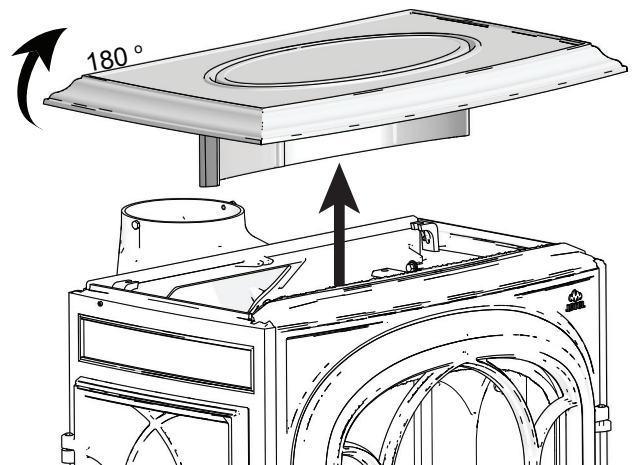
1. Loosen the 2 screws on each side of the stove.

Fig. 19b Replacing the exhaust deflector



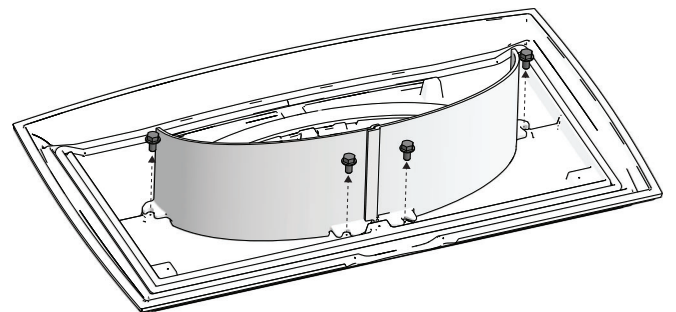
2. Loosen the screw (A) that holds the top plate in place. This must be done from the inside of the burnchamber.

Fig. 19c Replacing the exhaust deflector



3. Lift the top, turn it 180 degrees and place it on a flat underlay. **NB:** It is important that the underlay is soft, so that the surface is not damaged.

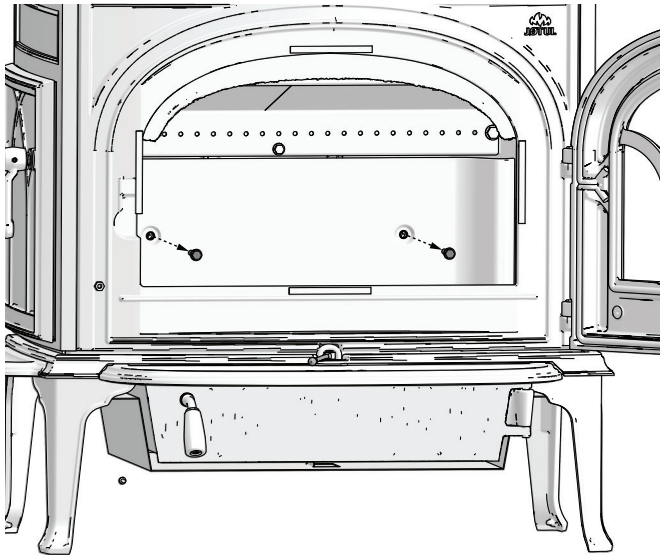
Fig. 19d Replacing the exhaust deflector



4. Loose the 4 screws that secures the exhaust deflector to the top.
5. When refitting, follow the same procedure in reverse order.

7.3 Replacing the burn plates

Fig. 20a Replacing the rear burn plate



1. Loosen the rear burn plate by unscrewing the screws as shown in the figure. The screws are continuous and have nuts on the back of the stove. (see fig.20b)

Fig. 20b

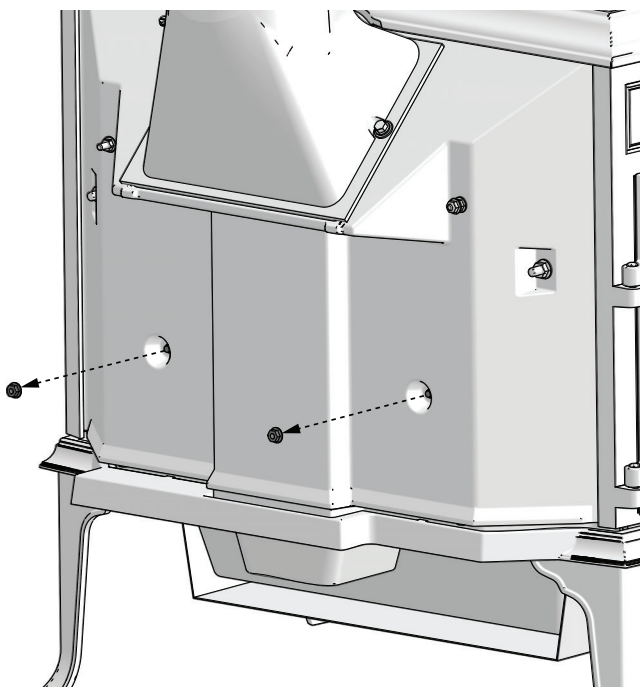
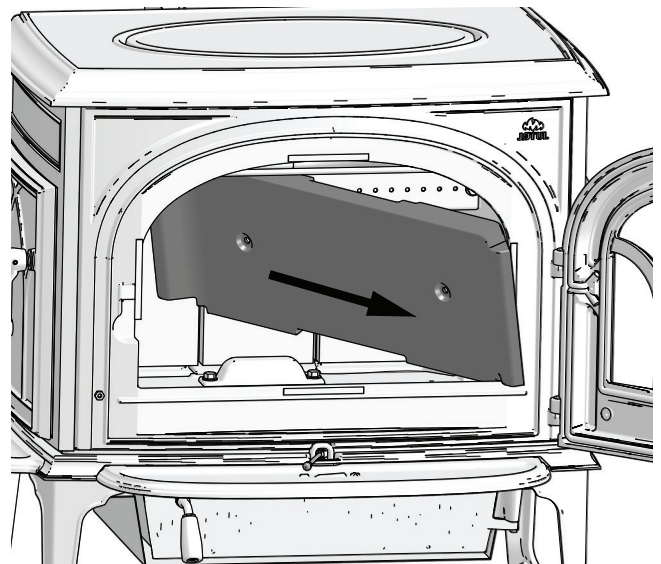
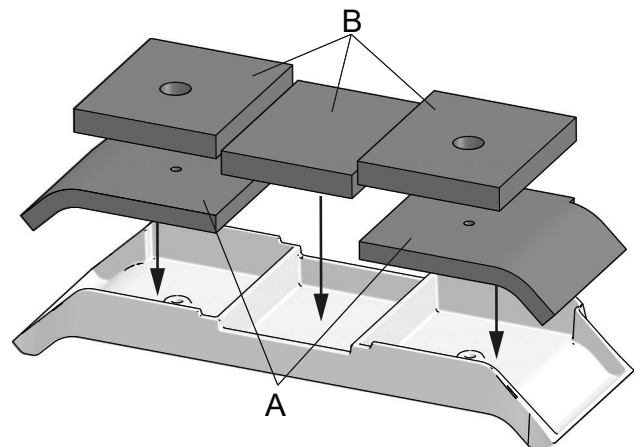


Fig. 20c



2. Edge the rear burn plate out of the stove.
3. When refitting, follow the same procedure in reverse order. (first see fig. 21 (insulation mats))

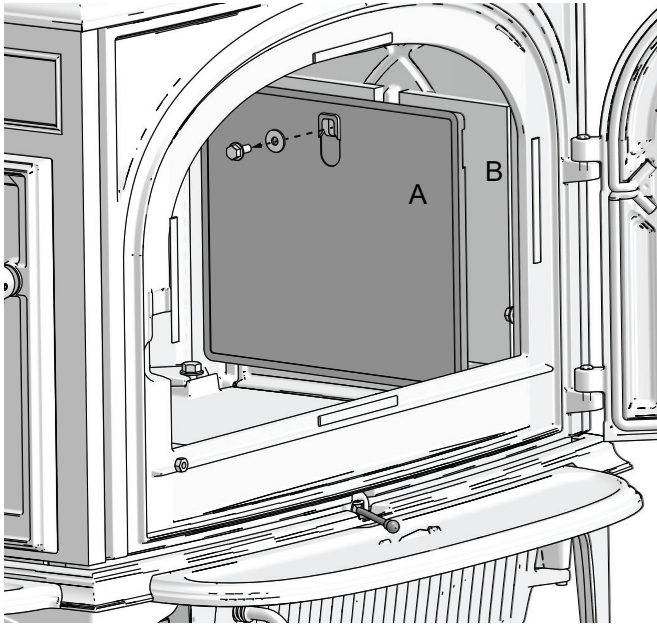
Fig. 21 Replacing the insulation mats



4. Behind the rear burn plate there are 5 insulation mats. They must be replaced when replacing the rear burn plate. Lay the new rear burn plate on a suitable surface and place the insulation mats as shown in the figure. **NB:** It is important that the insulation mats are placed according to the figure, as there are different thickness of the mats. Insulation mat A = 19mm thick (2 pieces), B = 25mm thick (3 pieces).

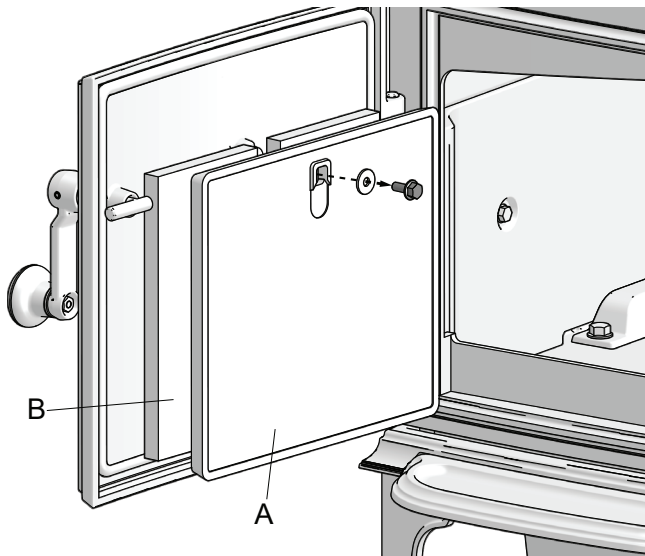
ENGLISH

Fig. 22 Replacing the side burn plate (Right)



1. Loosen the screw and the washer that holds the side burn plate (A) and the insulation mat (B) in place.
2. Edge the side burn plate and the insulation mat out of the stove.
3. When refitting, follow the same procedure in reverse order.

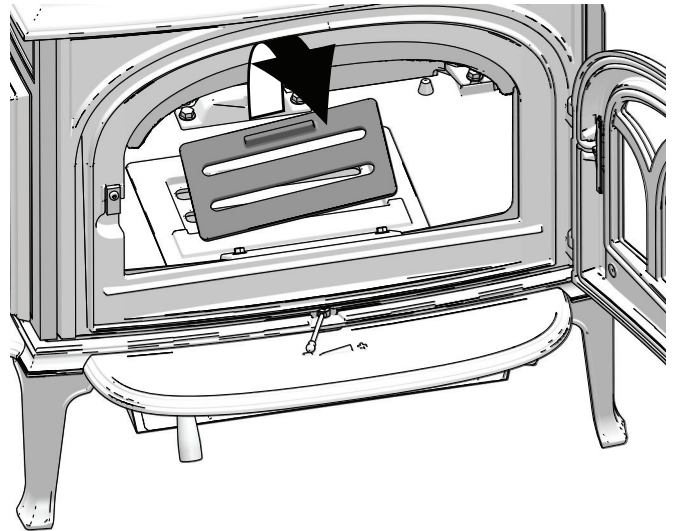
Fig. 23 Replacing the side burn plate on the side door



1. Open the side door.
2. Loosen the screw and the washer that holds the burn plate (A) and the insulation mat (B) on place.
3. Remove the burn plate and the insulation mat from the side door.
4. When refitting, follow the same procedure in reverse order.

7.4 Replacing the ash grate

Fig. 24 replacing the ash grate



1. Tilt up the ash grate that loosely sits in the bottom plate of the stove.

8.0 Operational problems - troubleshooting

Poor draught

Check the length of the chimney and that it complies with national laws and regulations. (See also «2.0 Technical data» and «4.0 Installation» (Chimney and flue pipe) in the installation manual for information.)

Make sure that the minimum cross section on the chimney is according to «2.0 Technical data» in the installation manual. Make sure that there is not anything preventing the smoke gasses from escaping: branches, trees, etc.

Upon suspicion of excessive/poor draught in the chimney, seek professional help for measurement and adjustment.

The fire extinguishes after a while

- Make sure that the firewood is sufficiently dry.
- Find out whether there is negative pressure in the house, close mechanical fans and open a window close to the fireplace.
- Check that the air vent is open.
- Check that the flue outlet is not clogged by soot.

Unusual amount of soot accumulates on the glass

Some soot will always stick to the glass, but the quantity depends on:

- Moisture in the fuel.
- The local draught conditions.
- Air vent opening.

Most of the soot will normally burn off when the air vent is opened all the way and a fire is burning briskly in the fireplace.

9.0 Optional equipment

9.1 Heat shield rear

Cat. no. 50012977

9.2 External air kit Ø 100

Cat. no. 51012164

9.3 Soapstone top cover

Cat. no. 50012992

10.0 Recycling

10.1 Recycling packaging

Your fireplace is delivered with the following packaging:

- A wooden pallet that can be cut up and burned in the fireplace.
- Cardboard packaging that should be taken to a local recycling facility.
- Plastic bags that should be taken to a local recycling facility.

10.2 Recycling the fireplace

The fireplace is made of:

- Metal that should be taken to a local recycling facility.
- Glass that should be disposed of as hazardous waste. The glass in the fireplace must not be placed in a regular source segregation container.
- Vermiculite burn plates that can be disposed of in regular waste containers.

11.0 Guarantee terms

1. Our guarantee covers:

Jøtul AS guarantees that the external cast-iron parts are free from defects in materials or manufacturing at the time of purchase. You may extend the guarantee on the external cast-iron parts to 25 years from the date of delivery by registering the product on jotul.com, and print out the extended guarantee card within three months of purchase. We recommend that the guarantee card be kept together with the receipt. Jøtul AS also guarantees that steel plate parts are free from defects in materials or manufacturing at the time of purchase for a period of 5 years from the date of delivery.

The guarantee applies on the condition that the stove has been installed by a qualified installer in accordance with applicable laws and regulations and Jøtul's installation and operating instructions. Repaired products and replacement items are guaranteed within the original guarantee period.

2. The guarantee does not cover:

- 2.1. Damage to consumables such as burn plates, fire grates, flue baffles, gaskets and similar as these deteriorate over time due to normal wear and tear.
- 2.2. Damage caused as a result of improper maintenance, overheating, use of unsuitable fuel (e.g. of unsuitable fuel are, but not limited to driftwood, impregnated wood, plank offcuts, chipboard) or too moist / wet wood.
- 2.3. Installation of optional extras for the purpose of rectifying local draught conditions, air supply or other circumstances beyond Jøtul's control.
- 2.4. Cases involving alterations / modifications to the fireplace without Jøtul's consent or the use of non-original parts.
- 2.5. Damage caused during storage at a distributor, transport from a distributor or during installation.
- 2.6. Products sold by unauthorized sellers in areas where Jøtul operates a selective distribution system.
- 2.7. Associated cost (e.g. but not limited to, transport, manpower, travel) or indirect damages.

Pellets stoves, glass, stone, concrete, enamel and paint finish (e.g. but not limited to chipping, cracking, bubbling or discolouration and crazing) are applicable to the national legislation governing the sale of consumer goods. This guarantee is valid for purchases made within the territory of the European Economic Area. All guarantee inquiries must be addressed to your local authorized Jøtul dealer within a reasonable amount of time, which shall not be later than 14 days from the date on which the fault or defect first became apparent. See list of importers and dealers on our web site www.jotul.com.

If Jøtul is unable to meet the obligations outlined in the above guarantee terms, Jøtul will offer a replacement product with a similar heating capacity free of charge.

Jøtul reserve the right to decline of any replacement of parts or service in the event that the guarantee is not registered online. This guarantee does not affect any rights under applicable national legislation governing the sale of consumer goods. The national complaint right applies from the purchase date and only in exchange for a receipt / serial number.


FRANCAIS

FR - Manuel d'installation et d'utilisation

Sommaire

1.0 Relations avec les autorités.....	18
2.0 Technical data.....	18
3.0 Sécurité.....	19
4.0 Installation.....	21
5.0 Utilisation au quotidien.....	25
6.0 Entretien.....	28
7.0 Maintenance.....	28
8.0 Dysfonctionnements - Causes et dépannages.....	32
9.0 Équipements disponibles en option.....	32
10.0 Recyclage.....	32
11.0 Conditions de garantie.....	32

Enregistrez votre insert sur jotul.com pour la garantie de 25 ans.

Product: Jøtul Room heater fired by solid fuel				
Standard Minimum distance to adjacent combustible materials Minimum distance to adjacent non-combustible materials Emission of CO in combustion products Flue gas temperature Nominal heat output Efficiency Operation range Fuel type Operational type The appliance can be used in a shared flue.				
Country	Classification	Certificate/standard	Approved by	
Norway	Klasse II			
Sweden	oc	SP	SP Sveriges Provnings- och Forskningsinstitut AB	
EUR	intermittent	EN	SP Swedish National Testing and Research Institute	
Follow user's instructions. Use only recommended fuels. Montage- und Bedienungsanleitung beachten. Vorwenden Sie nur empfohlenen Brennstoffen. Respectez les consignes d'utilisation. Utilisez uniquement les combustibles recommandés.				
Lot no: Y-xxxx, Year: 200x				
Manufacturer: Jøtul AS POB 1441 N-1602 Fredrikstad Norway				221546

Tous nos produits sont livrés avec une étiquette reprenant le numéro de série et l'année. Reportez ce numéro à l'endroit indiqué dans les instructions d'installation.

N'oubliez pas de le mentionner à chaque fois que vous contactez votre revendeur ou Jøtul.

Lot no.	Pin.
<input type="text"/>	<input type="text"/>

1.0 Relations avec les autorités

L'installation d'un poêle est soumise aux législations et réglementations nationales en vigueur. Les réglementations locales, y compris celles se rapportant aux normes nationales et européennes, doivent être respectées lors de l'installation du produit.

Veuillez lire attentivement le manuel d'installation et d'utilisation avant de procéder à l'installation. L'installation ne doit pas être utilisée avant d'avoir été inspectée et approuvée.

Une plaque signalétique thermorésistante se trouve dans le cendrier, sous l'appareil. Elle comporte les informations suivantes : fabricant, adresse, nom du produit, référence catalogue, norme de fabrication, référence de production et puissance.

2.0 Technical data

Matériau	Fonte
Finition	Peint noir
Combustible	Bois exclusivement
Longueur des bûches (maxi)	55 cm
Longueur de bûche recommandée	30 - 55 cm
Raccordement	Supérieur, arrière
Diamètre de raccordement	Ø 150 mm
Amenée d'air frais	Alu. flex - Ø 100 mm
Poids Jøtul F 500 ECO	ca 200 kg
Équipements disponibles en option	Bouclier thermique arrière, Kit air frais extérieur Ø 100, Stéatite
Dimensions, distances	Voir fig. 1

Données techniques conformes à la norme EN 13240

Puissance nominale	8,8 kW
Débit massique des fumées	6,6 g/s
Tirage de cheminée, EN 13240	12 Pa
Tirage de fonctionnement	12-15 Pa
Rendement	82%@8,8 kW
Émissions de CO (13% O ₂)	0,09 %
Émissions de CO (13% O ₂)	1072 mg / Nm ³
NOx à (13% O ₂)	103 mg / Nm ³
OGC à (13% O ₂)	51 mg C / Nm ³
Consommation d'air	5,5 liter/sek.
Température de cheminée, EN 13240	251 °C
Poussières (13% O ₂)	11 mg/Nm ³ @13%O ₂
Consommation horaire	2,4 kg/h
Quantité de bois d'allumage max	5,2 kg
Quantité de bois d'allumage nominal	1,9 kg
Fonctionnement	Intermittent*

*Par fonctionnement intermittent, on entend une utilisation normale du poêle dans laquelle on ajoute du bois lorsqu'il ne reste plus que des braises.

Nous vous recommandons de vous inspirer des règles du D.T.U. 24.2.2. Vous devez lire entièrement le présent manuel avant de commencer l'installation et le conserver pendant toute la durée de l'utilisation du poêle.

3.0 Sécurité

Remarque : Afin d'assurer un niveau de rendement et de sécurité optimal, l'installation d'un poêle Jøtul doit être confiée à un installateur qualifié (voir www.jotul.com pour la liste complète de nos revendeurs).

Toute modification de l'appareil risque de compromettre le bon fonctionnement de l'appareil et de ses éléments de sécurité. Ceci s'applique également à l'installation d'accessoires ou d'équipements en option qui ne sont pas fournis par Jøtul. Ce risque peut par ailleurs survenir dans le cas où des pièces ou éléments essentiels pour le bon fonctionnement et la sécurité du poêle, ont été désassemblés ou retirés.

Dans tous ces cas, le fabricant ne pourra être tenu responsable pour le produit et le droit de recours à la garantie sera rendu nul et sans effet.

3.1 Mesures de prévention anti-incendie

Toute utilisation du poêle comporte un certain degré de risques. C'est pourquoi, il est indispensable de toujours respecter les consignes de sécurité suivantes :

- Les distances minimales à respecter en utilisant le poêle ressortent de la figure 1. La distance avec les matériaux inflammables et ininflammables spécifiée s'applique à ce poêle. Le poêle doit être installé avec un conduit de raccordement normalisé CE. La distance minimum entre les tuyaux et les matériaux combustibles doit aussi être respectée.
- Assurez-vous que les meubles et autres matériaux inflammables ne sont pas trop rapprochés du poêle. Pas de matériaux inflammables dans un rayon de **1000 mm** du poêle.
- Laissez le feu s'éteindre de lui-même. Ne tentez jamais d'éteindre le feu avec de l'eau.
- Le poêle devient très chaud lorsqu'il est allumé et peut provoquer des brûlures à la personne qui le touche.
- Attendez que le poêle soit froid pour retirer les cendres. Les cendres pouvant encore contenir des braises, il convient de les recueillir dans un réceptacle ininflammable.
- Il convient d'épandre les cendres à l'extérieur ou de les vider dans un endroit ne présentant aucun risque d'incendie.

En cas de feu de cheminée:

- Fermer l'ensemble des trappes et des entrées d'air.
- Maintenir la porte de la chambre de combustion fermée.
- Contacter le service de sécurité incendie.
- Suite à un feu de cheminée, le poêle et la cheminée doivent être contrôlés par un spécialiste avant toute nouvelle utilisation afin de s'assurer que l'installation est opérationnelle.

3.2 Le sol

Il convient de s'assurer que le socle présente des dimensions adaptées au poêle. Voir «2.0 Données techniques» pour les normes de poids. Il est recommandé d'enlever le revêtement de sol si celui-ci n'est pas fixé (parquet flottant) pendant l'installation.

Protection d'un sol en bois

Le produit peut être placé directement sur un sol en bois, protégé par une plaque de protection en matériau non combustible (épaisseur recommandée - minimum 0,9 mm)

Jøtul recommande de retirer tout revêtement de sol combustible (linoléum, moquette, etc.) sur la surface couverte par la plaque de sol.

Exigences relatives à la protection d'un revêtement de sol combustible à l'avant du poêle

La plaque avant doit être conforme aux législations et aux réglementations nationales en vigueur.

Veuillez noter qu'il y a une porte latérale sur le produit. Contacter les autorités locales compétentes (construction) pour connaître les restrictions et les exigences liées à l'installation.

3.3 Les murs

- Le produit doit être placé de sorte qu'il soit possible de nettoyer le poêle, le conduit de fumée et la sortie de la cheminée.
- Assurez-vous que les meubles et autres matériaux inflammables ne sont pas trop rapprochés du poêle.

Distance minimale par rapport au mur en matériau combustible-voir la **fig. 1**.

Le poêle à bois doit être raccordé à un conduit de fumée homologué CE. La distance entre les conduits de fumée et les matériaux combustibles doit également être prise en compte.

Mur en matériau combustible protégé par un pare-feu

Distance minimale par rapport au mur en matériau combustible protégé par un pare-feu: Voir la **fig. 1**

L'utilisation d'un poêle avec un conduit non isolé est autorisée, à condition que les distances séparant le poêle des matériaux combustibles du mur soient conformes à celles de la **fig. 1**.

Exigences relatives au mur ininflammable

Le mur ininflammable doit faire au minimum **100 mm** d'épaisseur ; il doit être en briques, en béton ou en béton léger. D'autres matériaux homologués peuvent également être utilisés.

Mur incombustible (entièrement)

Le foyer peut être installé avec un minimum de **200 mm** sur un mur incombustible si la distance entre le foyer et tous les matériaux combustibles est de **500 mm** minimum.

Les matériaux non combustibles désignent les matériaux tels que la brique, le clinker, le béton, la laine minérale, les plaques de silicate, etc. (matériaux qui ne brûlent pas).

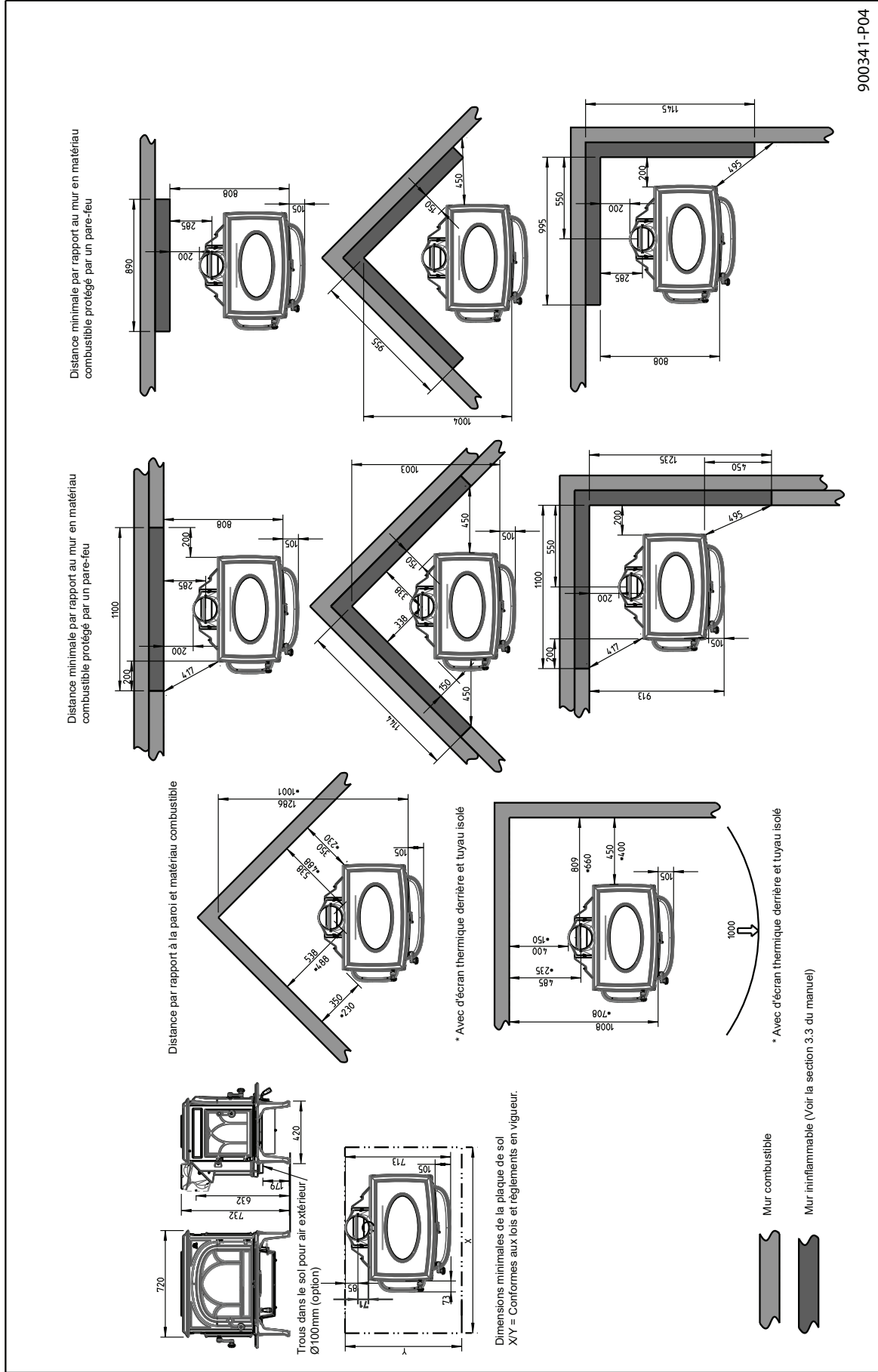
Remarque! Une distance trop courte par rapport à un mur incombustible peut entraîner des décolorations de la peinture et des dégradations de la fonte et provoquer des fissures.

3.4 Le plafond

Un espace d'au minimum **750 mm** doit être respecté entre le poêle et un plafond combustible.

JØTUL F 500 ECO

Fig. 1



4.0 Installation

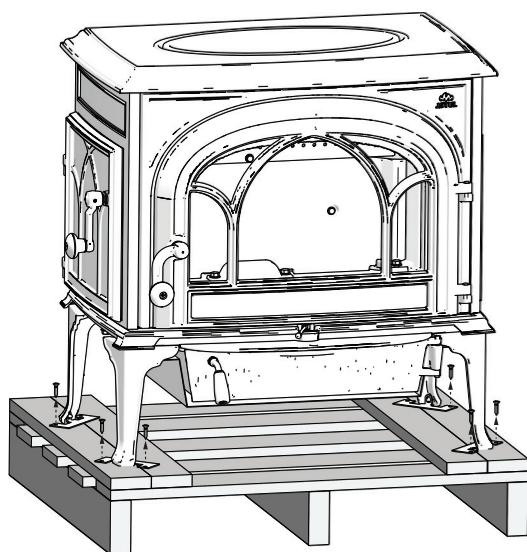
- Assurez-vous que l'appareil est en bon état avant de procéder à l'installation.
- L'appareil est lourd! Prévoyez de l'aide pour le montage et la mise en place.
- **Assurez-vous que les meubles et autres articles ménagers sont à une distance sécuritaire du foyer pour les décrire contre le séchage.**

4.1 Avant l'installation

1. Le produit standard est livré dans un seul emballage.
2. Retirez le sachet de vis et le cendrier du poêle.
3. Lorsque le produit est déballé, retirez-le de la palette.

Assurez-vous que tout est en ordre.

Fig. 2 Dépose de la palette



1. Enlevez les 8 vis de transport.

4.2 Installation

Fig. 3a Assemblage de la poignée de la porte latérale, pièces

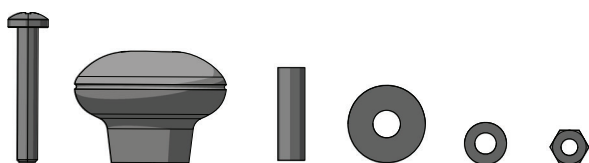
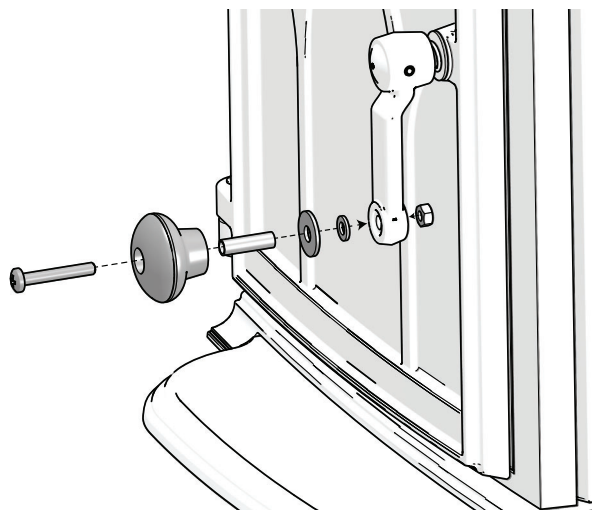


Fig. 3b Assemblage de la poignée de la porte latérale



1. Montez le bouton en bois sur la poignée de la porte latérale. Les pièces se trouvent dans le sachet de vis.

Fig. 4a Assemblage de la poignée de la porte à cendres, pièces

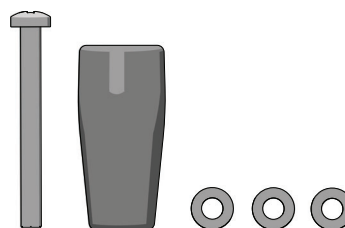
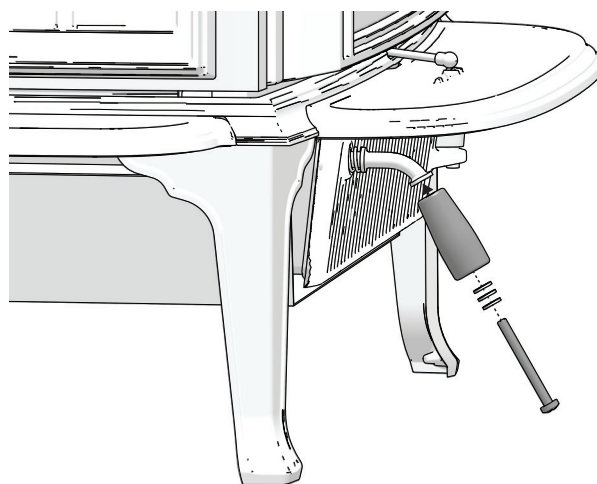


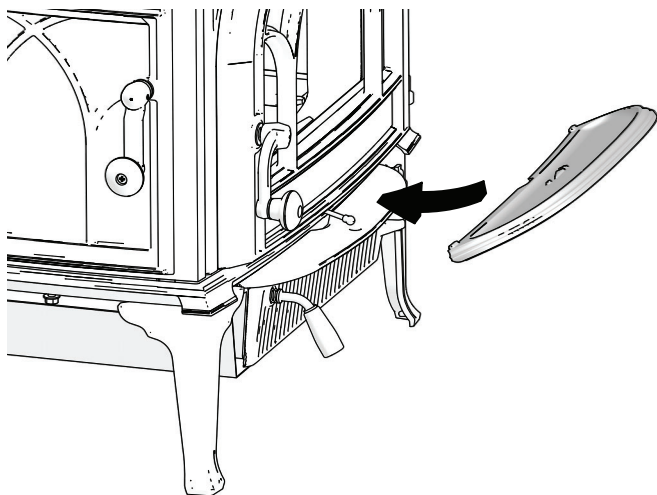
Fig. 4b Assemblage de la poignée de la porte à cendres



1. Montez le bouton en bois sur la poignée de la porte à cendres. Les pièces se trouvent dans le sachet de vis.

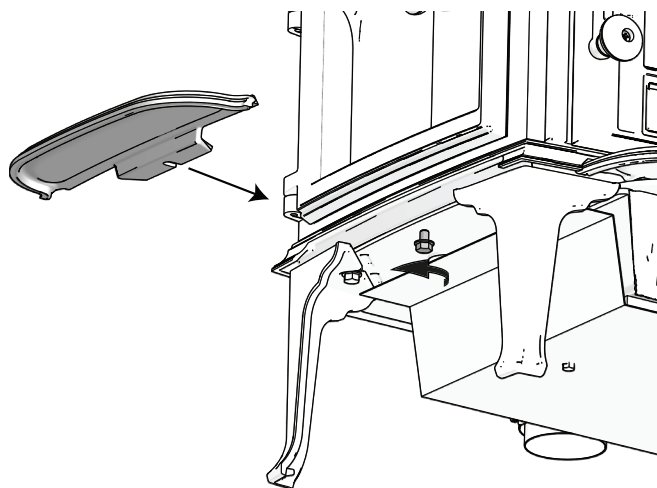
FRANCAIS

Fig. 5 Montage du cendrier avant



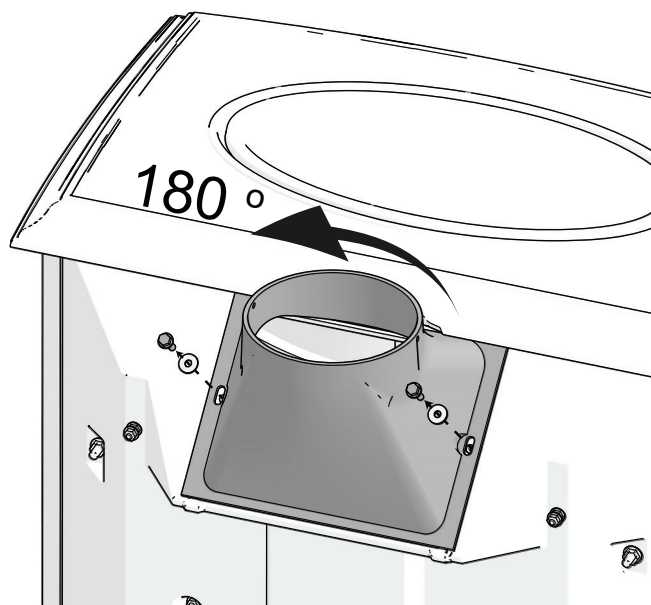
1. Montez le cendrier à l'avant du poêle.

Fig. 6 Montage du cendrier latéral



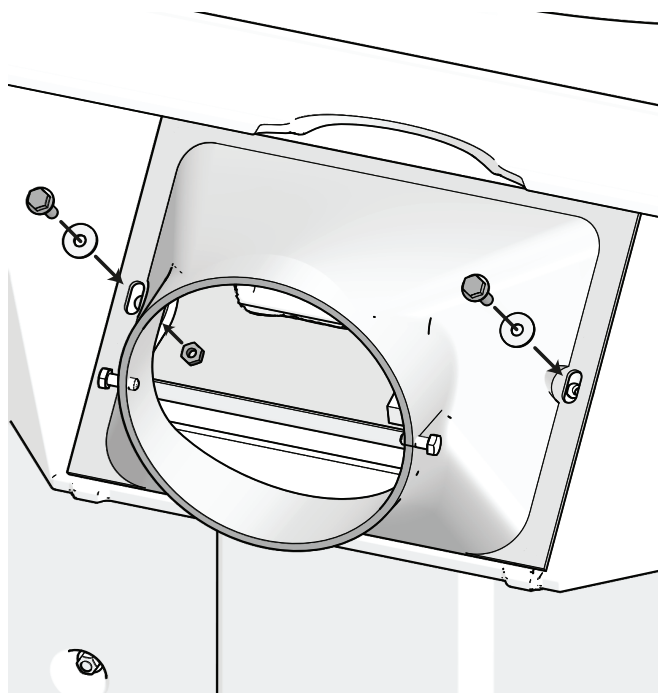
1. Montez le cendrier sous la porte latérale. Serrez la vis du bas pour fixer le cendrier.

Fig. 7a Permutation entre sortie supérieure et sortie arrière



1. Desserrez les 2 vis maintenues par un écrou.
2. Faites pivoter le conduit d'évacuation de fumée de 180°.

Fig. 7b

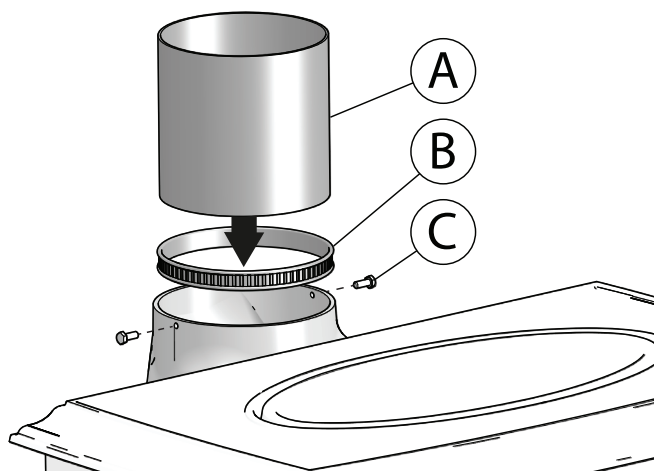


3. Fixez le conduit d'évacuation de fumée avec les mêmes vis que sur la fig.7a.

Montage du conduit de fumées

En standard, le produit est préparé en usine pour une sortie par le haut.

Fig. 8 Montage du conduit de fumée



1. Sur le conduit de fumée (A), marquez l'emplacement des vis lorsque le conduit de fumée est complètement enfoncé dans le conduit d'évacuation de fumée. À l'aide d'une perceuse, percez un trou de 7 mm pour chaque vis (C) dans le conduit de fumée.
2. Retirez le papier de protection du joint fourni (B) et fixez-le à l'extrémité extérieure du conduit de fumée.
3. Insérez le conduit de fumée dans le conduit d'évacuation de fumée et fixez-le avec les 2 vis (C) du sachet de vis.

Le conduit de fumée est monté de la même manière pour les sorties supérieure et arrière.

4.3 Montage avec arrivée d'air frais (en option)

Amenée d'air frais

L'air utilisé pour la combustion doit être renouvelé en permanence. Ceci est particulièrement important dans une maison avec ventilation mécanique. Plusieurs méthodes sont possibles. Le plus important est de faire arriver l'air dans la pièce où le poêle est installé. Le clapet de mur extérieur doit être placé le plus près possible du poêle et doit pouvoir se fermer lorsque le poêle n'est pas utilisé.

Il convient de se conformer à la réglementation locale et nationale du bâtiment concernant la prise d'air extérieur.

S'assurer régulièrement que les entrées d'air de ventilation de la maison ne sont pas obstruées.

Système de combustion fermé

Il convient d'utiliser le système de combustion fermé du poêle dans les habitations de construction récente, étanches à l'air. L'air extérieur de combustion est raccordé par l'intermédiaire d'un tuyau d'aération via le mur ou le sol.

Arrivée d'air

Le volume d'air de combustion des produits Jøtul est d'environ 20 à 40 m³/h. L'arrivée d'air frais peut être raccordée directement au poêle Jøtul F 500 ECO par :

- la base
- par un tuyau flexible depuis l'extérieur ou la cheminée (seulement si celle-ci dispose d'une conduite propre pour l'air frais) et vers le raccord d'air frais de l'appareil.

Fig. 9a Par un mur

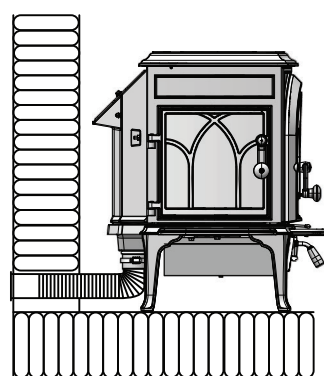


Fig. 9b Par le sol et la plaque de sol

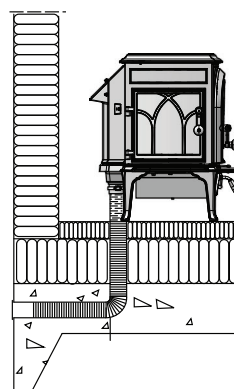


Fig. 9c Par le sol et la cave

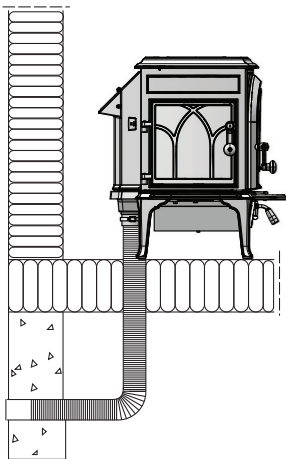


Fig. 9d Indirectement par un mur

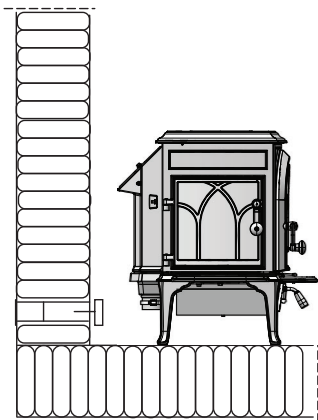
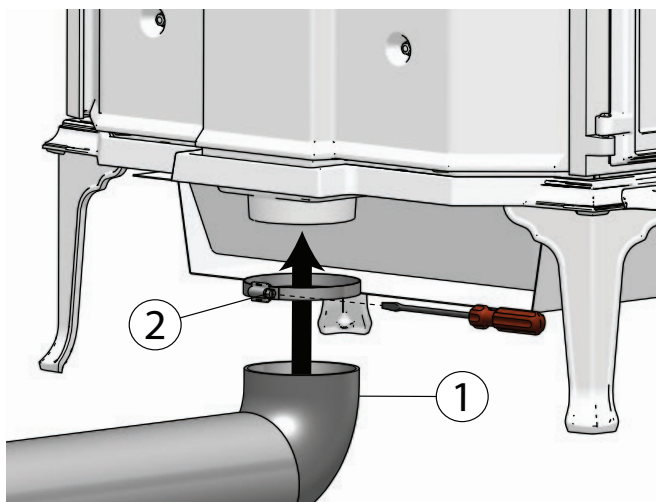


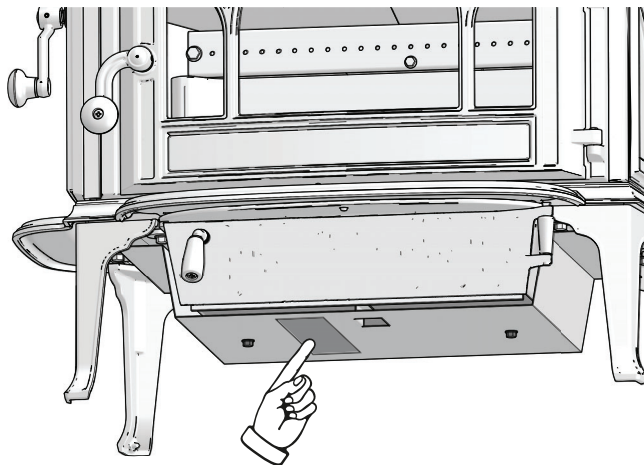
Fig. 10 Montage du raccord d'arrivée d'air frais



1. À l'aide du collier de serrage, placez le raccord d'arrivée d'air frais sur l'entrée d'air extérieure.
2. Serrez avec un tournevis.

4.4 Emplacement de la plaque signalétique

Fig. 11 Plaque signalétique



1. La plaque signalétique est située sous le poêle.

4.5 Cheminées et conduits

- Le poêle peut être branché à une cheminée et à un conduit approuvés pour les poêles à combustible solide, avec les températures de fumées spécifiées dans la section «**2.0 Données techniques**».
- La section minimale de la cheminée doit correspondre à celle du conduit. Pour calculer la section adéquate de la cheminée, voir la section «**2.0 Données techniques**».
- La distance avec les matériaux inflammables spécifiée s'applique à ce poêle.
- La distance minimum entre les tuyaux et les matériaux combustibles doit aussi être respectée.
- Le raccordement à la cheminée doit être réalisé conformément aux **D.T.U. 24.1** ; ainsi qu'aux instructions d'installation du fournisseur de la cheminée.
- Procéder à un montage d'essai du poêle avant de percer un trou dans la cheminée. Voir **fig. 1** pour les cotes.
- Raccordement arrière : veiller à ce que le conduit de raccordement soit incliné vers le haut.
- Utiliser un coude de conduit doté d'une trappe ou un té ou siphon afin de permettre les opérations de ramonage suivant règlement.
- Une gaine fortement coudée et comportant des sections horizontales réduit fortement le tirage de la cheminée. Veiller à ce que les raccordements soient souples afin d'empêcher toute fissure lors de l'installation.
- Tirage recommandé; Voir également les sections «**2.0 Données techniques**». En cas de tirage trop important, utiliser un clapet ou un modérateur de tirage.

Si un clapet de tirage est installé, il ne doit en aucun cas bloquer l'intégralité du conduit de fumées. Le clapet doit être facile à utiliser et prévoir un passage libre d'au moins 20 cm² ou 3% de la surface de section (la plus forte des 2 valeurs).

La position du clapet doit être aisément repérable.

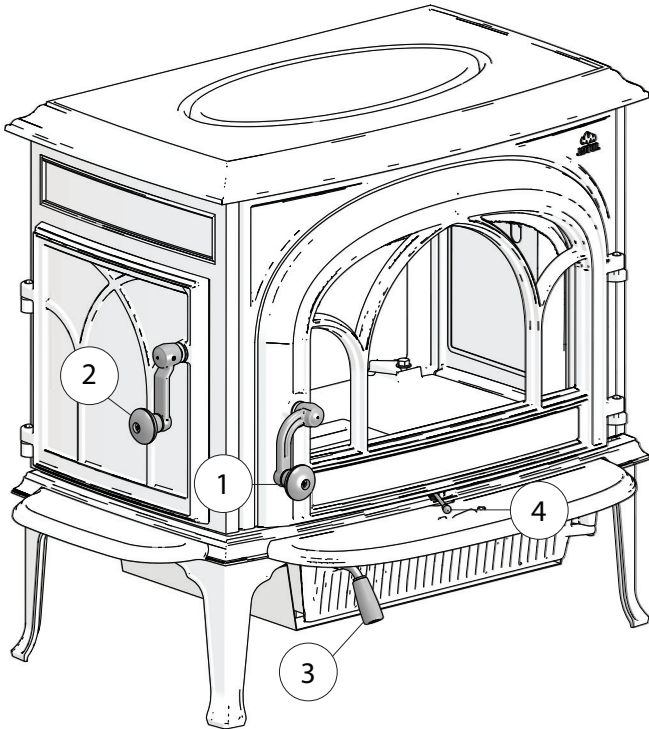
Si un régulateur de tirage est installé, cette obligation ne section de passage libre ne s'applique pas, mais le régulateur doit être facilement accessible pour son nettoyage.

Plusieurs poêles à combustible solide peuvent être raccordés au même système de cheminée, dès l'instant où la section est correcte. Remarque: Consultez les règles et règlements applicables pour savoir ce qui est permis.

4.6 Test de fonctionnement

Une fois le poêle monté, vérifiez toujours les poignées de commande. Elles doivent pouvoir être actionnées facilement et fonctionner de manière satisfaisante.

Fig. 12 Le poêle Jøtul F 500 ECO comporte les options de commandes suivantes:



1. Poignée de la porte avant : pour l'ouvrir, soulevez la poignée vers le haut (dans le sens des aiguilles d'une montre) et tirez-la vers vous.
2. Poignée de la porte latérale : pour l'ouvrir, soulevez la poignée vers le haut (dans le sens des aiguilles d'une montre) et tirez-la vers vous.
3. Poignée de la porte à cendres : pour l'ouvrir, soulevez la poignée vers le haut (dans le sens inverse des aiguilles d'une montre) et tirez-la vers vous.
4. Registre d'air frais et d'allumage : pour l'ajuster, déplacez-le dans le sens horizontal (voir **fig. 13**).

5.0 Utilisation au quotidien

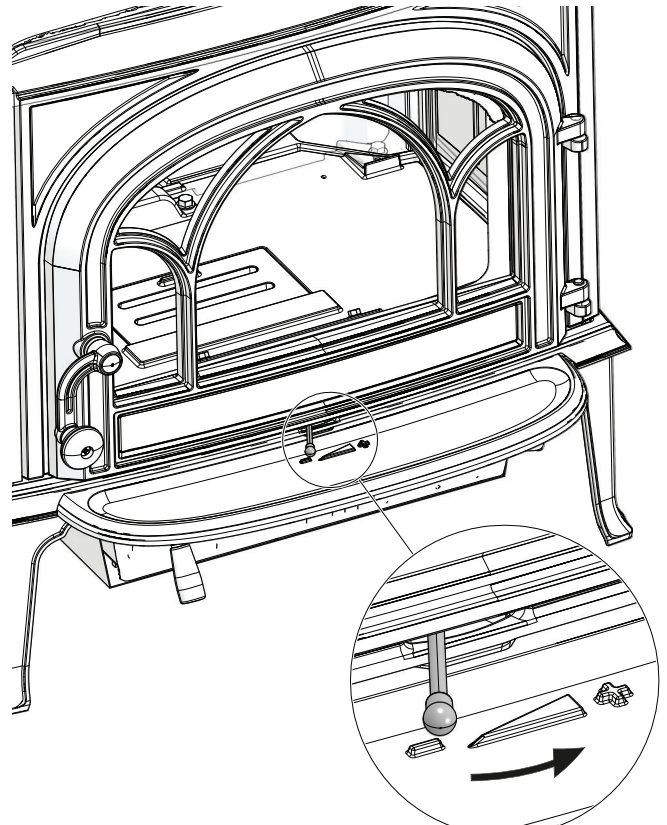
5.1 Odeurs perceptibles lors de la première utilisation du poêle

Lors de la première utilisation, le poêle peut émettre un gaz irritant et dégager des odeurs désagréables. Ceci se produit lorsque la peinture sèche. Ce gaz n'est pas toxique, mais il est recommandé de bien aérer la pièce. Maintenir une température élevée dans le poêle jusqu'à qu'aucun gaz, fumée ou odeur ne puisse être détecté.

Laisser la porte ouverte pendant les premières minutes pour faire sécher la peinture et éviter le décolllement du joint de porte

5.2 Réglage du registre

Fig. 13



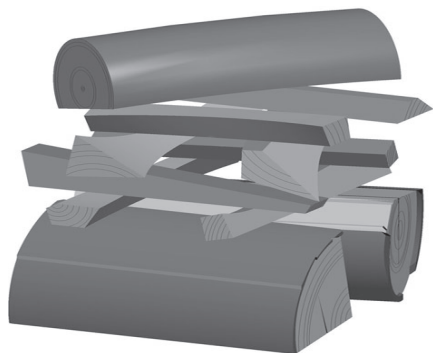
Poignée tirée vers la droite: registre ouvert (position pendant l'allumage).

Poignée tirée vers la gauche: registre fermé.

5.3 Allumage

- Tirez le registre d'air frais et d'allumage vers la droite pour l'ouvrir. Conseil pratique : Favorisez l'allumage du feu en laissant la porte entrouverte. (*Utiliser des gants car la poignée risque d'être chaude*).
- Placer deux bûches de taille moyenne à l'entrée et au fond de la plaque de source. **N.B.** : pour éviter que de la suie ne se dépose sur le verre, veillez à ce que les bûches ne touchent pas le verre lorsqu'elles sont placées dans l'appareil (**fig. 14**).
- Froissez quelques feuilles de papier journal, jamais de papier glacé (ou utilisez de l'écorce de bouleau) entre ces deux bûches, entrecroisez du bois d'allumage sur ce papier, puis mettez-y le feu.
- Augmentez graduellement la taille du feu.
- Enfin, placez une bûche de taille moyenne sur le dessus de la pile.
- Régler ensuite la vitesse de combustion sur la capacité de chauffage souhaitée en ajustant l'entrée d'air supérieure.
- Fermez la porte. La porte doit toujours être fermée lorsque le feu est allumé.

Fig. 14



5.4 Ajouter du bois

Alimentez le poêle régulièrement mais n'ajoutez que de petites quantités de combustible à la fois. Si la combustion est trop vive, la contrainte thermique dans la cheminée risque de devenir excessive. Faites preuve de modération. Évitez les feux couvants car ils sont les plus polluants. Le feu est parfait lorsque le bois brûle bien et que la fumée qui sort de la cheminée est pratiquement invisible. La position idéale est l'entrée d'air de combustion ouverte à moitié.

5.5 Utilisation

Conseils de chauffage

Remarque : Il est recommandé d'entrer les bûches qui ont été stockées à l'extérieur ou dans une pièce froide 24 heures avant de les brûler afin de les amener à température ambiante.

Il existe différentes manières de chauffer le poêle, mais soyez toujours attentif à ce que vous y mettez. Voir le chapitre intitulé « La qualité du bois ».

La qualité du bois

Par bois de qualité, nous entendons les essences les plus courantes telles que bouleau, épicéa et pin ou hêtre, chêne, érable. Suivant les pays.

Les bûches doivent sécher afin que leur teneur en eau ne dépasse pas 20 %.

Pour cela, il convient de couper le bois à la fin de l'hiver. Fendez-les et empilez-les pour permettre à l'air de bien circuler. Recouvrez les piles afin de protéger les bûches de la pluie. Entrez les bûches dans la maison au début de l'automne en vue de leur utilisation pendant l'hiver qui suit.

Soyez particulièrement attentif à ne jamais brûler les matériaux suivants dans le poêle :

- Les déchets ménagers, les sacs en plastique, etc.
- Le bois peint ou imprégné (très toxique).
- Le bois contreplaqué
- Le bois qui est resté dans l'eau
- Les chutes de menuiserie dont le bois est trop sec.
- Le bois de récupération de chantier

Ceux-ci risquent d'endommager l'appareil et ce sont aussi des polluants.

Si vous utilisez des bûches de bois compressé, réduisez la quantité de moitié par rapport au bois en bûches.

Remarque : N'employez jamais de l'essence, de la paraffine, de l'alcool (méthylique) ou tout liquide similaire pour allumer le feu. Vous risqueriez de vous blesser sérieusement et d'endommager l'appareil.

5.6 Consommation de bois

Le Jøtul F 500 ECO a une puissance nominale d'env. **8,8 kW**. Utilisation de bois avec puissance thermique nominale : Environ **2,4 kg/h**. La dimension des bûches devrait être de :

Pour le bois d'allumage:

Longueur: 30-55 cm

Diamètre: 5 cm

Quantité par flambée: 5-8 pièces

Pour le bois de chauffage (fendu) :

Longueur: 35 cm

Diamètre: Env. 8-13 cm

Fréquence d'approvisionnement en bois: Env. 48 minutes

Taille du feu: 1,97 kg (efficacité nominale)

Nombre de bûches à chaque réapprovisionnement: 2

Les résultats de test donnés ont été obtenus en chargeant 3 bûches de 35 cm, poids total de 1,97 kh. Le registre est réglé sur environ 40 % d'air.

5.7 Risque de surchauffe

Ne surchauffez jamais le poêle.

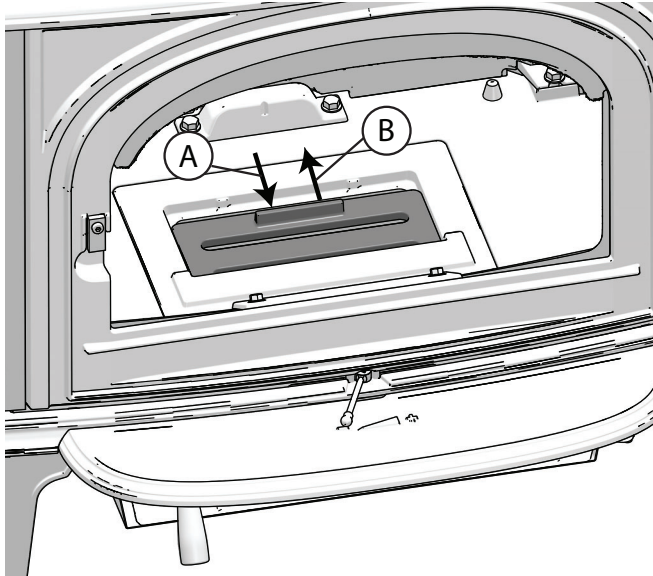
La surchauffe est provoquée par un excès de combustible et/ou d'air qui donne lieu à un dégagement de chaleur trop important. Lorsque le poêle devient incandescent par endroits, c'est un signe incontestable de surchauffe. Si le cas se produit, réduisez immédiatement l'apport d'air frais. En cas de surchauffe, la garantie ne pourrait pas être assurée.

Si vous pensez que la cheminée tire mal (tirage excessif ou insuffisant), contactez un spécialiste. Pour plus de détails, reportez-vous à «**4.0 Installation** » (**Cheminée et conduit d'évacuation**).

5.8 Retrait des cendres

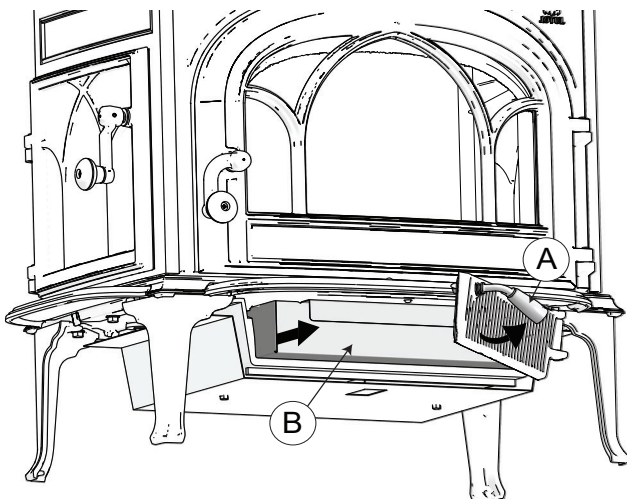
- N'enlevez les cendres que lorsque le poêle est froid.
- Retirez les cendres à l'aide d'une pelle.
- Les cendres doivent être placées à l'extérieur dans un récipient en métal.

Fig. 15 Grille à cendres



1. Pour ouvrir la grille à cendres (A), tirez vers la porte à l'aide d'un outil de cheminée approprié.
2. Les cendres tombent à travers la grille à cendres.
3. Refermez la grille à cendres (B) ensuite. Elle doit être fermée lorsque le poêle est utilisé afin d'obtenir une combustion optimale.

Fig. 16 Cendrier



4. Ouvrez la porte à cendres à l'aide de sa poignée (A). Retirez le cendrier (B), videz-le dans un récipient approprié, puis remettez le cendrier en place.

5.9 Utilisation sous différentes conditions météorologiques

L'effet du vent sur la cheminée peut, selon sa violence, influencer beaucoup sur le fonctionnement du poêle et nécessiter une régulation de l'arrivée d'air pour obtenir une bonne combustion. Il peut également être judicieux de monter un clapet sur le tuyau de manière à pouvoir réguler ainsi le tirage de la cheminée en fonction des sollicitations changeantes du vent.

Le brouillard peut aussi avoir une grande influence sur le tirage de la cheminée nécessitant d'autres réglages de l'arrivée d'air frais pour assurer une bonne combustion.

5.10 Condensation

Il est possible de constater l'apparition de condensation dans la chambre de combustion et ou le conduit des fumées. Cela peut se produire suite à la combustion d'un bois humide ou bien à une différence de température importante entre le foyer/conduit et leur environnement.

Un écoulement de condensation prend la forme d'un liquide noir. Cet écoulement doit être nettoyé sans attendre pour éviter toute coloration du foyer, du sol, des murs ou des meubles sur lesquels le liquide aurait pu couler. Il est important d'avoir une bonne combustion (feu vif) pour éviter toute condensation (La combustion dégradée créée par la fermeture des arrivées d'air lorsque la combustion n'est pas terminée est à proscrire).

5.11 Cheminée

Le conduit de cheminée est un élément essentiel au bon fonctionnement d'un chauffage à bois.

Le tirage de la cheminée génère une dépression dans le poêle. Cette dépression évacue la fumée hors du poêle et, à travers le registre d'air de combustion, aspire de l'air qui alimente le processus de combustion.

L'air de combustion vient aussi balayer la vitre et y empêche ainsi le dépôt de suie.

Le tirage de la cheminée est généré par la différence de température entre l'intérieur de la cheminée et l'extérieur de la maison. Plus cette différence de température est élevée, meilleur est le tirage de la cheminée. Il est donc important que la cheminée atteigne sa température de service rapidement avant que soient réduites l'entrée d'air et la combustion dans le poêle (une cheminée en maçonnerie met plus de temps pour atteindre sa température de service qu'une cheminée en acier isolé).

Les jours où les conditions météorologiques et le vent sont défavorables, il est donc particulièrement important que la température de service de la cheminée soit atteinte le plus vite possible. Les flammes doivent vite être attisées. Conseil pratique : Fendez des bûchettes de bois particulièrement fines ; utilisez des blocs d'allumage supplémentaires etc.

Remarque: Après un arrêt prolongé de l'utilisation du poêle, il importe de vérifier que le conduit de cheminée n'est pas plus ou moins bouché.

FRANCAIS

6.0 Entretien

6.1 Nettoyage de la vitre

Le produit est équipé d'un système d'entrée d'air par le haut. L'air est aspiré au-dessus du foyer et circule le long de la vitre.

L'accumulation de suie sur la vitre est toutefois inévitable, la quantité de dépôts dépendant du taux d'humidité du combustible, des conditions de tirage et du réglage de l'entrée d'air supérieure. Une grande partie de cette suie est normalement consommée lorsque l'entrée d'air est ouverte à son maximum et en présence d'un feu vif dans le poêle.

Un bon conseil ! Pour les opérations courantes de nettoyage, humidifier un essuie-tout ou du papier journal ou une simple éponge à l'eau chaude. Frotter la vitre avec ce moyen puis rincer à l'eau claire et essuyer. Pour les tâches persistantes, il est recommandé d'utiliser un nettoyant à vitres. Ne jamais projeter le produit directement sur la vitre : il risque de détériorer les fixations de la vitre et le joint, ce qui peut entraîner la cassure de la vitre.

6.2 Nettoyage et élimination des dépôts de suie

Pendant l'utilisation, de la suie peut se déposer sur les surfaces internes du foyer. La suie est un bon isolant. Elle réduit donc la puissance thermique du foyer. Utiliser une brosse métallique pour retirer tout dépôt de suie dans le produit, sauf sur les plaques en vermiculite !

Laisser brûler vivement afin d'éviter tout dépôt de goudron et d'eau dans le poêle.

Un nettoyage annuel de l'intérieur du foyer est requis pour optimiser le rendement du produit. Cette opération peut être réalisée lors du ramonage des conduits et de la cheminée.

6.3 Ramonage des conduits d'évacuation vers la cheminée

Sur certains foyers autonomes, il est possible de soulever le couvercle et de ramoner le conduit par le haut.

Sinon, le ramonage des conduits doit s'effectuer à partir de la trappe de ramonage ou depuis l'intérieur du produit, auquel le déflecteur doit être retiré. Renseignez-vous auprès de votre distributeur Jøtul sur la réglementation à ce sujet.

6.4 Contrôle du poêle

Jøtul recommande que l'utilisateur contrôle personnellement et soigneusement le foyer suite à une opération de ramonage/nettoyage. Vérifier l'absence de fissures sur toutes les surfaces visibles. Vérifier également l'état et la bonne installation de tous les joints. Tout joint montrant des signes d'usure, de déformation ou de dureté doit être remplacé.

Nettoyer soigneusement les gorges de joint, appliquer de la colle céramique (disponible auprès des distributeurs Jøtul), puis insérer correctement le joint sans tirer dessus. Le séchage est rapide.

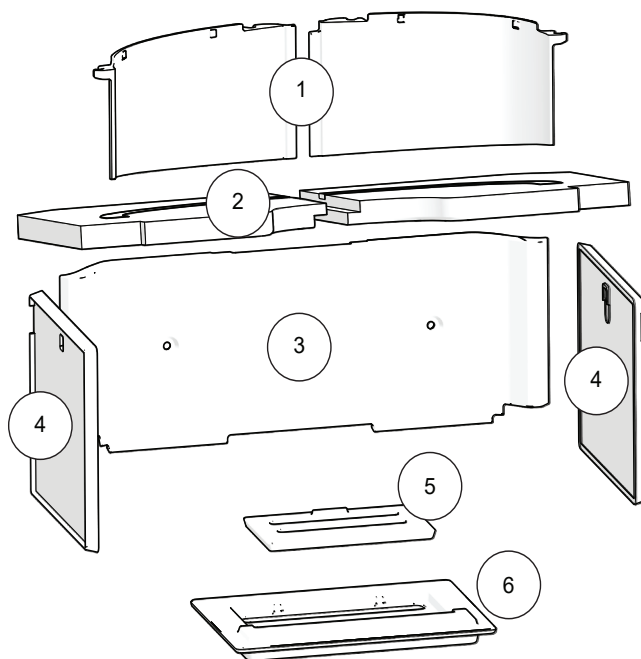
6.5 Entretien de la surface externe

La couleur des produits peints peut se ternir après plusieurs années d'utilisation. Avant d'appliquer une nouvelle couche de peinture, brosser et laver la surface peinte pour en éliminer toutes les particules.

7.0 Maintenance

Toute modification non autorisée du produit est interdite. Utilisez uniquement des pièces de rechange d'origine.

Fig. 17

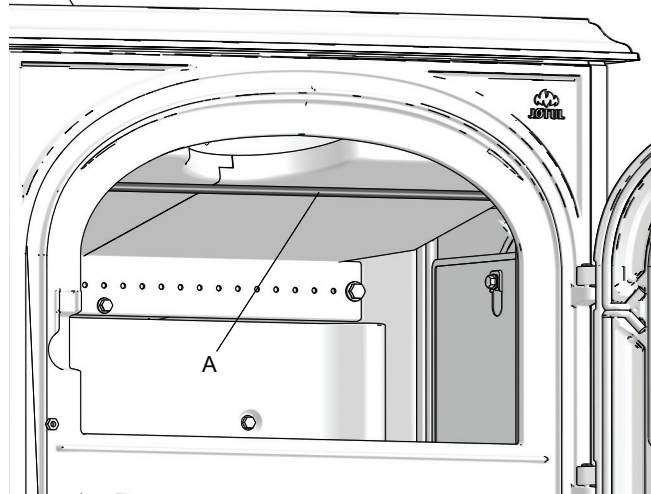


1. Déflecteur d'évacuation (2 pièces)
2. Déflecteur (2 pièces)
3. Plaques de doublage arrière
4. Plaques de doublage latérales (2 pièces)
5. Grille à cendres
6. Support de la grille à cendres

7.1 Remplacement du déflecteur

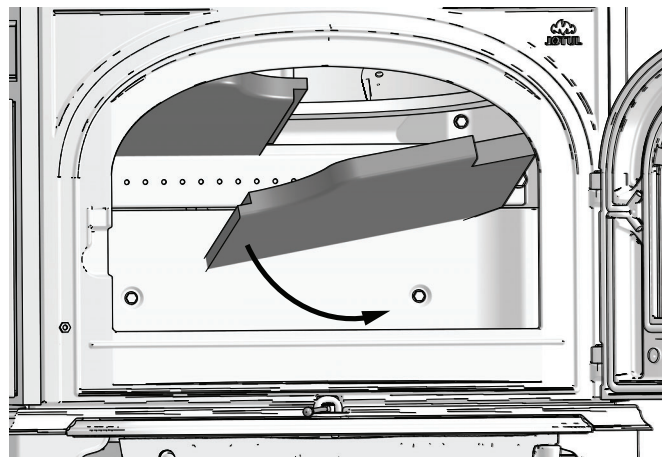
Utilisez les outils avec précaution.

Fig. 18a Desserrage des déflecteurs



1. Soulevez vers vous la barre de support maintenant les déflecteurs avant de la dégager et de la sortir du poêle.
REMARQUE: les deux déflecteurs ne sont plus fixés et doivent être maintenus pour ne pas tomber.

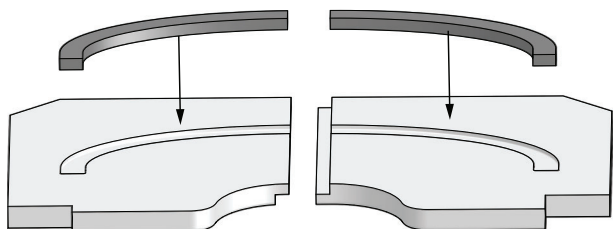
Fig. 18b Dépose des déflecteurs



2. Les déflecteurs ne sont plus fixés et peuvent être dégagés et sortis du poêle. **REMARQUE:** sortez d'abord le déflecteur droit, puis le gauche.

Lors du remontage, suivez la même procédure dans l'ordre inverse (voir d'abord la fig. 18c).

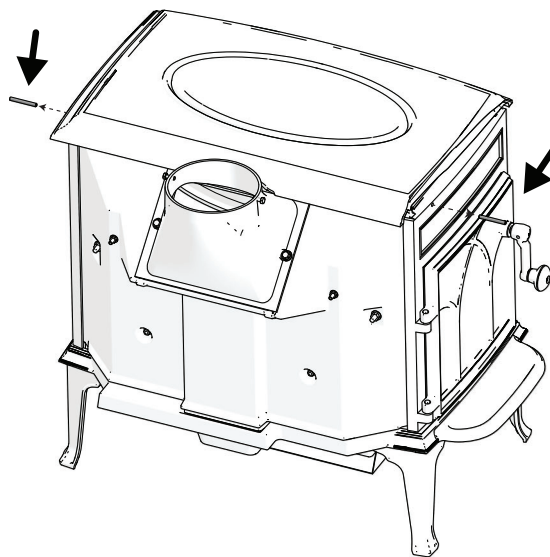
Fig. 18c Remplacement du joint du déflecteur



3. Lorsqu'un déflecteur est remplacé, le joint situé contre le déflecteur d'évacuation doit également être remplacé. Pour ce faire, placez les joints fournis dans les rainures situées sur le dessus du déflecteur.

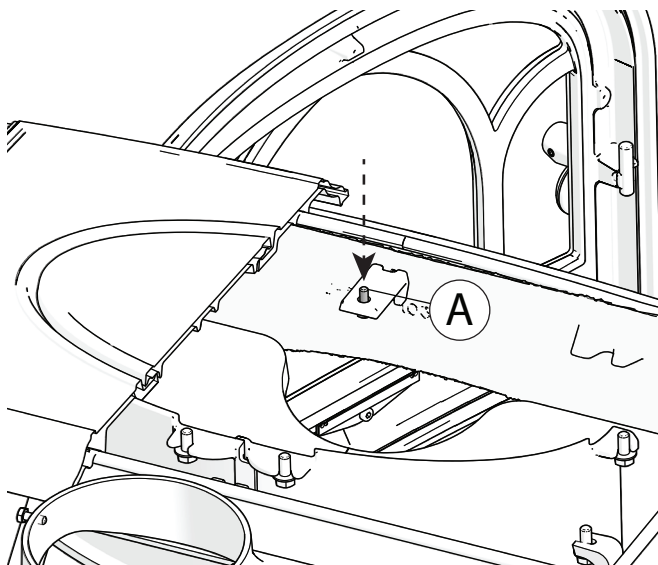
7.2 Remplacement du déflecteur d'évacuation

Fig. 19a Remplacement du déflecteur d'évacuation



1. Dévissez la vis située de chaque côté du poêle.

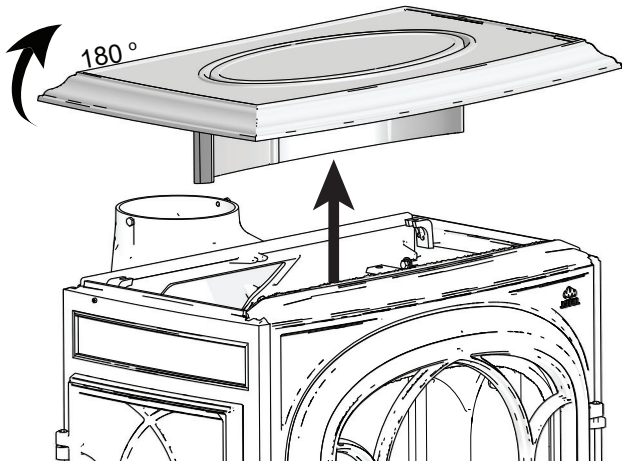
Fig. 19b Remplacement du déflecteur d'évacuation



2. Dévissez la vis (A) maintenant la plaque supérieure en place. Cela doit être fait depuis l'intérieur de la chambre de combustion.

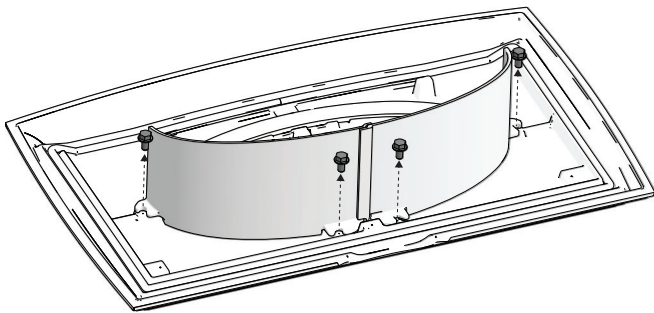
FRANCAIS

Fig. 19c Remplacement du déflecteur d'évacuation



3. Soulevez la plaque supérieure, retournez-la et déposez-la sur une surface plane. **REMARQUE:** il est important que cette surface ne soit pas dure pour ne pas endommager la plaque.

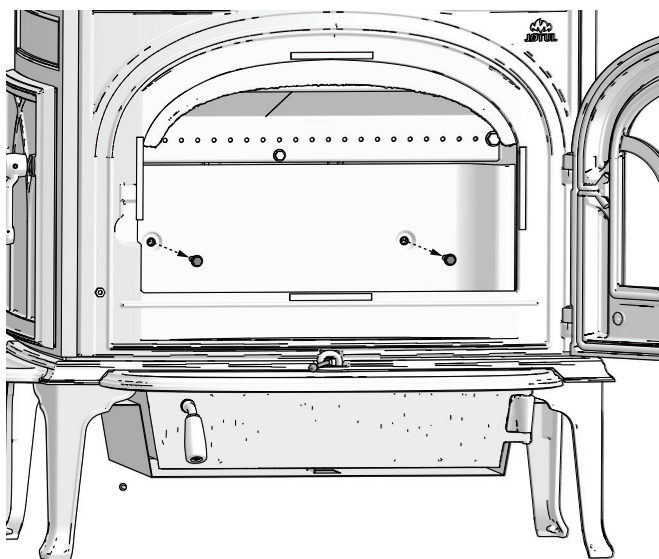
Fig. 19d Remplacement du déflecteur d'évacuation



4. Desserrez les 4 vis fixant le déflecteur d'évacuation à la plaque supérieure
5. Lors du remontage, suivez la même procédure dans l'ordre inverse.

7.3 Remplacement des plaques de doublage

Fig. 20a Remplacement de la plaque de doublage arrière



1. Desserrez la plaque de doublage arrière en dévissant les vis comme indiqué sur l'illustration. Ces vis sont continues et sont maintenues par des écrous à l'arrière du poêle (voir fig. 20b).

Fig. 20b

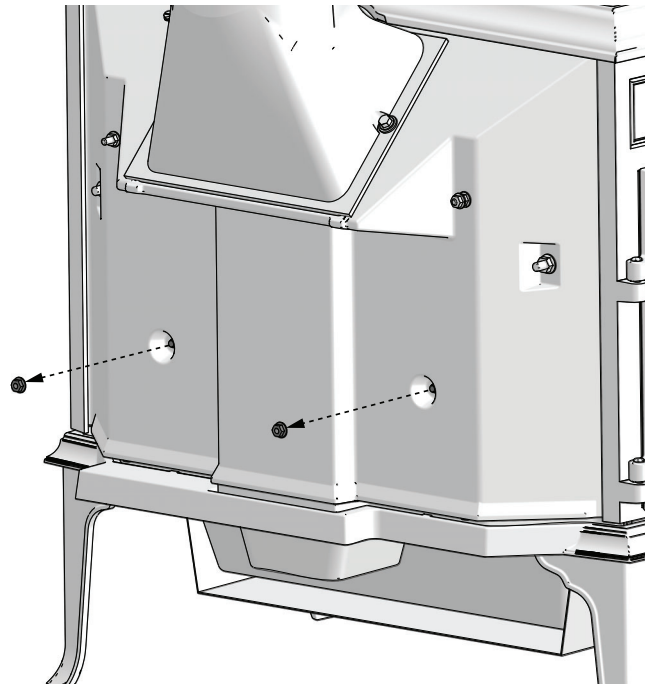
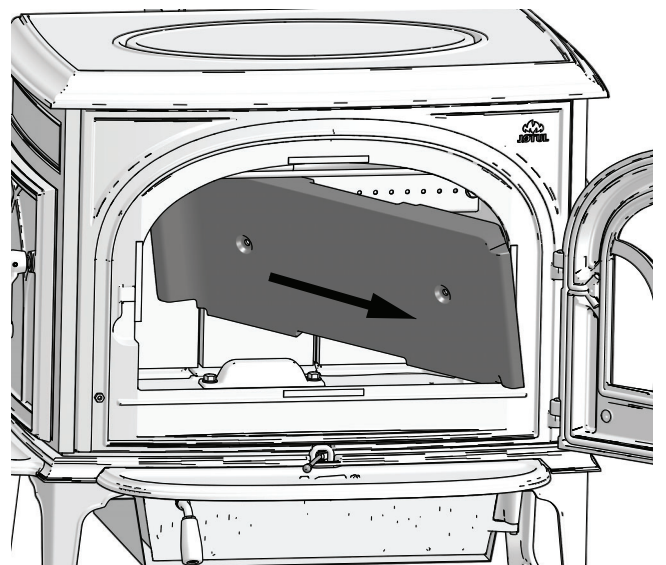
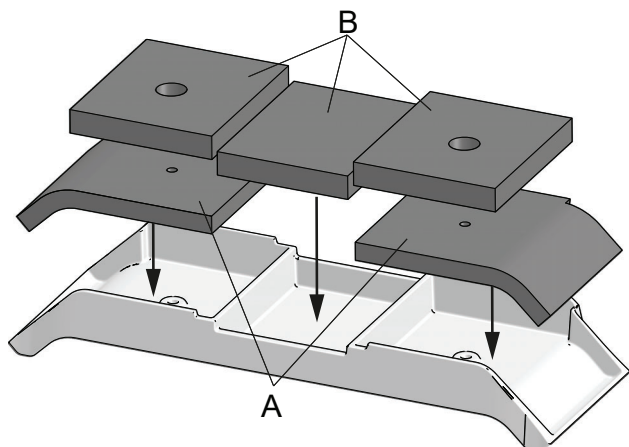


Fig. 20c



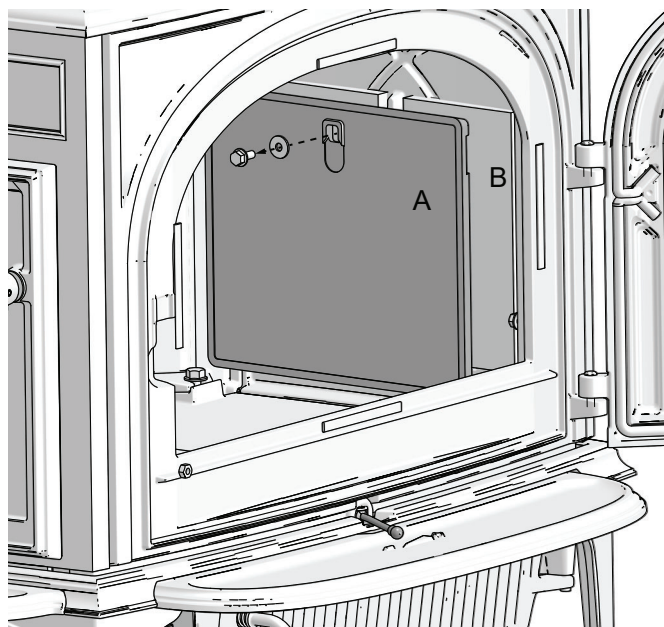
2. Dégagez la plaque de doublage arrière et sortez-la du poêle.
3. Lors du remontage, suivez la même procédure dans l'ordre inverse (voir d'abord la fig. 21 (matelas d'isolation)).

Fig. 21 Remplacement des matelas d'isolation



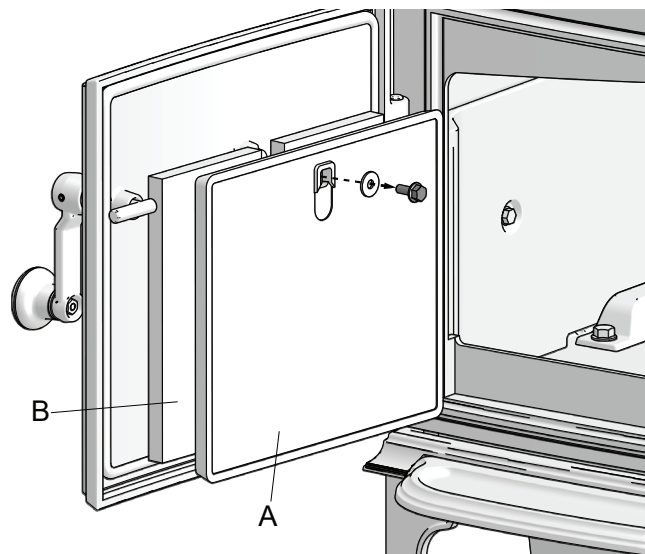
4. Derrière la plaque de doublage arrière se trouvent 5 matelas d'isolation. Ils doivent être remplacés en même temps que la plaque de doublage arrière. Déposez la nouvelle plaque de doublage arrière sur une surface appropriée, puis placez les matelas d'isolation comme indiqué sur l'illustration. **REMARQUE:** il est important que les matelas d'isolation soient placés exactement comme indiqué, en raison des différentes épaisseurs de matelas. Matelas d'isolation A = 19 mm d'épaisseur (2 pièces), matelas d'isolation B = 25 mm d'épaisseur (3 pièces).

Fig. 22 Remplacement de la plaque de doublage latérale (droite)



1. Desserrez la vis et la rondelle maintenant la plaque de doublage latérale (A) et le matelas d'isolation (B) en place.
2. Dégagez la plaque de doublage latérale et le matelas d'isolation, et sortez-les du poêle.
3. Lors du remontage, suivez la même procédure dans l'ordre inverse.

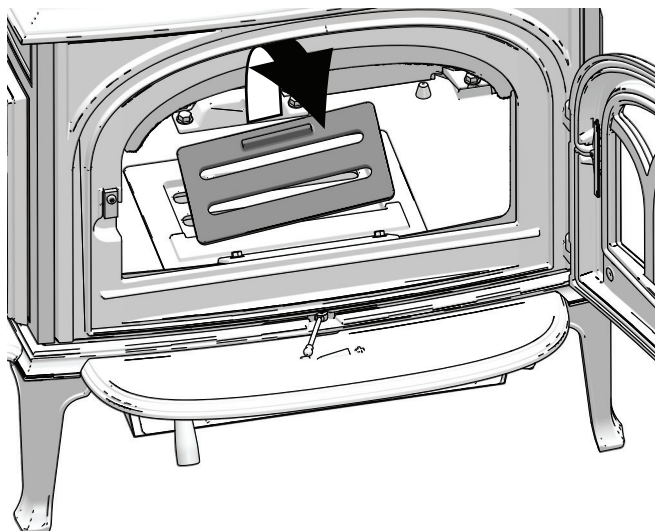
Fig. 23 Remplacement de la plaque de doublage latérale sur la porte latérale



1. Ouvrez la porte latérale.
2. Desserrez la vis et la rondelle maintenant la plaque de doublage latérale (A) et le matelas d'isolation (B) en place.
3. Retirez la plaque de doublage et le matelas d'isolation de la porte latérale.
4. Lors du remontage, suivez la même procédure dans l'ordre inverse.

7.4 Remplacement de la grille à cendres

Fig. 24 Remplacement de la grille à cendre



Soulevez la grille à cendres encastrée lâchement dans la plaque de fond du poêle.

FRANCAIS

8.0 Dysfonctionnements - Causes et dépannages

Tirage faible

Vérifier que la longueur de la cheminée est conforme aux législations et aux réglementations nationales en vigueur. (Voir aussi «2.0 Données techniques» et «4.0 Installation» (Cheminées et conduits) dans le manuel d'installation à ce sujet.)

Vérifier que la section minimale de la cheminée est conforme aux spécifications de la section «2.0 Données techniques» du manuel d'installation.

Vérifier que rien n'empêche l'évacuation des fumées : branches, arbres, etc.

Pour remédier à tout tirage semblant faible ou excessif, demander à un professionnel de vérifier et éventuellement de redimensionner la cheminée.

Le feu s'étouffe rapidement

- Vérifier que le bois de chauffage est suffisamment sec.
- Vérifier l'absence d'aspiration dans la pièce. Arrêter toute ventilation mécanique et ouvrir une fenêtre à proximité du foyer.
- Vérifier que l'entrée d'air est ouverte.
- Vérifier que le conduit n'est pas obstrué.

Important dépôt de suie sur la vitre

L'accumulation de suie sur la vitre est inévitable, mais la quantité de dépôt varie en fonction :

- Du taux d'humidité du combustible.
- Des conditions locales de tirage.
- Du réglage de l'entrée d'air.

Une grande partie de cette suie est normalement consommée lorsque l'entrée d'air est ouverte à son maximum et en présence d'un feu vif dans le poêle pendant une dizaine de minutes.

9.0 Équipements disponibles en option

9.1 Bouclier thermique arrière

Réf. cat. 50012977

9.2 Kit air frais extérieur Ø 100

Réf. cat. 51012164

9.2 Stéatite le couvercle supérieur

Réf. cat. 50012992

10.0 Recyclage

10.1 Recyclage de l'emballage

- Votre poêle est livré avec les emballages suivants :
- Une palette en bois qui peut être sciée et brûlée dans le poêle.
- Des emballages en carton qui doivent être déposés dans une station de recyclage près de chez vous.
- Des sacs en plastique qui doivent être déposés dans une station de recyclage près de chez vous, ou dans poubelle.

10.2 Recyclage du poêle

Le poêle est composé de :

- d'éléments métalliques qui doivent être déposés dans une station de recyclage près de chez vous.
- de verre qui doit être éliminé comme des déchets dangereux. Le verre dans le poêle ne doit pas être placé dans un conteneur de séparation à la source standard.
- de panneaux en vermiculite qui peuvent être déposés dans des conteneurs de déchets classiques.

11.0 Conditions de garantie

Applicables à partir du 1^{er} Septembre 2016 à tout produit Jøtul acheté auprès du réseau de revendeurs agréés Jøtul.

Félicitations pour votre achat d'un appareil Jøtul !

Depuis 1853, Jøtul est un fabricant renommé de poêles, cheminées et inserts durables et d'excellente qualité. La grande qualité de nos produits nous permet d'offrir à nos clients une garantie longue durée, et ce, sans frais supplémentaires.

Notre garantie couvre :

En plus de la garantie légale en vigueur, Jøtul France offre une garantie commerciale étendue à :

- 25 ans à compter de l'achat de l'appareil sur toutes les pièces en fonte des appareils à bûches, si vous enregistrez votre appareil sur le site www.jotul.com/fr dans les 3 mois suivant votre achat. Nous vous conseillons d'imprimer et de conserver votre justificatif d'enregistrement de garantie avec votre preuve d'achat. A défaut d'enregistrement, la garantie commerciale sera de 5 ans à compter de l'achat de l'appareil sur ces mêmes pièces.
- 5 ans sur les pièces en acier des appareils à bûches.
- 5 ans sur le corps de chauffe des appareils à granulés.

La garantie s'applique uniquement si l'appareil a été installé par un revendeur agréé du réseau Jøtul, conformément à la réglementation en vigueur et aux instructions d'installation et d'utilisation décrites dans le manuel de l'appareil.

Les appareils réparés ou les appareils de remplacement, ne donnent en aucun cas droit à une prolongation de garantie. Ils sont donc garantis pour la durée restante de la garantie initiale.

Notre garantie commerciale ne couvre pas :

- Les pièces d'usure, telles que les composants de la chambre de combustion (déflecteurs, joints, plaques de doublage, etc.), car ces pièces s'usent avec le temps lors d'une utilisation normale,
- Les vitres, la peinture, l'émail, les pierres naturelles, les éléments en béton et tous les revêtements décoratifs,
- Les dommages liés à une mauvaise utilisation : combustible inapproprié ou de mauvaise qualité, surchauffe, défaut d'entretien, non respect des instructions d'utilisation décrites dans le manuel de l'appareil, etc,
- Les dommages liés au transport ou à une mauvaise installation de l'appareil,
- Les cas impliquant des modifications de l'appareil sans le consentement de Jøtul ou l'utilisation de pièces qui ne sont pas d'origine,
- Les frais annexes (frais de port, déplacement, main d'œuvre, etc...), ni les dommages indirects.

La demande de garantie doit être effectuée auprès de votre revendeur agréé du réseau Jøtul, dans les 14 jours suivant la survenance du défaut. Voir liste de nos revendeurs sur notre site internet. Elle doit être accompagnée de votre preuve d'achat de l'appareil (facture) et de votre justificatif d'enregistrement de garantie.

Si Jøtul se trouve dans l'incapacité d'assumer la prise en charge sous garantie de votre appareil, Jøtul remplacera gratuitement votre produit par un appareil de puissance similaire.


Cette garantie est exclusive de toute autre garantie et prévaut sur toute autre garantie accordée par toute autre société du groupe Jøtul.

ES - Instrucciones para montaje e instalación

Índice

1.0 Relación con las autoridades.....	34
2.0 Información técnica.....	34
3.0 Seguridad.....	35
4.0 Instalación.....	37
5.0 Uso diario.....	41
6.0 Mantenimiento.....	44
7.0 Conservación.....	44
8.0 Problemas de funcionamiento: solución de problemas.....	48
9.0 Equipo opcional.....	48
10.0 Reciclaje.....	48
11.0 Términos de la Garantía.....	48

Registre su chimenea en jotul.com y disfrute de 25 años de garantía.

Product: Jøtul Room heater fired by solid fuel			
			
Standard : Minimum distance to adjacent combustible materials : Minimum distance to adjacent combustible materials: Emission of CO in combustion products : Flue gas temperature : Nominal heat output : Efficiency : Operation range : Fuel type : Operational type : The appliance can be used in a shared flue.			
Country	Classification	Certification standard	Approved by
Norway	Klasse II		
Sweden	rev.	SP	SP Sveriges Provnings- och Forskningsinstitut AS
EUR	Intermittent	EN	SP Swedish National Testing and Research Institute
Follow user's instructions. Use only recommended fuels. Montage- und Bedienungsanleitung beachten. Verwenden Sie nur empfohlenen Brennstoffen. Respectez les consignes d'utilisation. Utilisez uniquement les combustibles recommandés.			
Lot no: Y-xxxx, Year: 200x			
Manufacturer: Jøtul AS POB 1 641 N-1652 Fredrikstad Norway		221546	

Todos nuestros productos disponen de una etiqueta que indica su número de serie y año. Escriba este número en el lugar indicado para ello en las instrucciones de instalación.

Indique siempre este número cuando se ponga en contacto con su distribuidor o con Jøtul.

Lot no. Pin.

1.0 Relación con las autoridades

La instalación de una estufa debe efectuarse con arreglo a la normativa legal de cada país. La instalación del producto debe cumplir toda la normativa local en vigor, incluyendo la que se aplica a nivel nacional y europeo.

La instalación sólo puede utilizarse una vez que haya sido revisada por un inspector cualificado.

Una lámina autoadhesiva de identificación resistente al calor se incluye con el producto. La lámina se encuentra en la bandeja de cenizas y debe ser fijada al producto en el lugar indicado en éste manual.

2.0 Información técnica

Material	Hierro fundido
Acabado	Esmalte negro
Combustible	Madera
Longitud máxima de los troncos	55 cm
Longitud de leña recomendada	30-55 cm
Salida del tubo de humos	Superior, posterior
Dimensión del tubo de humos	Ø 150 mm
Entrada de aire exterior	Alu. flex - Ø 100 mm
Peso Jøtul F 500 ECO	ca 200 kg
Suplementos opcionales	Escudo térmico trasero, Kit de conexión para aire exterior, cubierta superior de esteatita
Dimensiones, distancias	Vea la figura 1

Especificaciones técnicas conforme a EN 13240

Potencia calorífica nominal	8,8 kW
Volumen de humos	6,6 g/s
Tiro de la chimenea, EN 13240	12 Pa
Presión negativa recomendada en la salida de humos	12-15 Pa
Rendimiento	82% @ 8,8 kW
Emisiones de CO (13% O ₂)	0,09 %
Emisiones de CO (13% O ₂)	1072 mg / Nm ³
NOx al (13% O ₂)	103 mg / Nm ³
OGC al (13 % O ₂)	51 mg C /Nm ³
Consumo de aire	5,5 liter/sek.
Temperatura de la chimenea EN 13240	251 °C
Polvo (13% O ₂)	11 mg/Nm ³ @13%O ₂
Consumo de combustible	2,4 kg/h
Consumo máx. de leña	5,2 kg
Cantidad máx. de leña	1,9 kg
Funcionamiento	Intermitente*

*Combustión intermitente se refiere al uso normal de una estufa, es decir, añadida más combustible cuando el fuego haya quedado reducido a rescoldos.

3.0 Seguridad

N. B.: para garantizar un rendimiento y seguridad óptimos, las estufas Jøtul deben ser instaladas por un instalador cualificado.

Cualquier modificación del producto por parte del distribuidor, instalador o usuario puede motivar que el producto y sus prestaciones de seguridad no funcionen del modo previsto. Esto también se aplica a la instalación de accesorios o extras opcionales suministrados por terceros. Lo mismo puede suceder si se desmontan o retiran componentes esenciales para el funcionamiento y la seguridad de la estufa.

En cualquier caso, el fabricante no se hará responsable del producto y el derecho a realizar una reclamación quedará anulado y sin validez.

3.1 Medidas de prevención de incendios

Existe un cierto elemento de riesgo cada vez que se usa la estufa. Por lo tanto, deben respetarse las siguientes instrucciones:

- Las distancias de seguridad mínimas al instalar y utilizar la chimenea se indican en la fig. 1. La distancia especificada a los materiales inflamables, se aplica a esta estufa. La estufa debe instalarse con una chimenea aprobada por CE. También debe observarse la distancia del tubo de salida de humos a los materiales combustibles.
- Asegúrese de que no haya muebles ni otros elementos inflamables demasiado cerca de la estufa. Los elementos inflamables no deberían estar a menos de **1000 mm** de la estufa.
- Deje que el fuego se consuma por sí solo. Nunca apague las llamas con agua.
- La estufa se calienta cuando está encendida y puede causar quemaduras si se toca.
- Saque las cenizas solo con la estufa fría. Las cenizas pueden contener rescoldos calientes y, por lo tanto, deberán ponerse en un recipiente no inflamable.
- Las cenizas deberán sacarse al exterior o vaciarse en un lugar donde no supongan un riesgo de incendio.

Si se produce un incendio en la chimenea

- Cierre todas las trampillas y los respiraderos.
- Cierre la puerta de la estufa.
- Llame a los bomberos.
- Después de producirse un incendio, un experto deberá comprobar la estufa y la chimenea antes de utilizarse para asegurar que funciona correctamente.

3.2 Suelo

Anclaje, base

Debe verificar que la base se adecue a la instalación de una estufa. Compruebe el peso especificado en «2.0 Especificaciones técnicas».

Se recomienda retirar el revestimiento del suelo que no vaya fijado a la superficie correspondiente («suelos flotantes»).

Protección de suelos de madera

El producto se puede colocar directamente sobre un suelo de madera, protegido por una lámina de material no combustible (espesor mínimo recomendado: 0,9 mm)

Si el suelo de debajo de la estufa está revestido de un material combustible, como linóleo, alfombras, etc, recomendamos retirarlo.

Requisitos de protección del suelo combustible de delante de la estufa

La placa frontal debe cumplir la normativa legal nacional. Tenga en cuenta que hay una puerta lateral en el producto. Póngase en contacto con el organismo local regulador de la construcción para informarse sobre las restricciones y los requisitos de la instalación.

3.3 Paredes

- El producto debe colocarse de modo que sea posible limpiar la estufa, el conducto de humos y la salida de la chimenea.
- Asegúrese de que los muebles y otros enseres estén a una distancia de la estufa
- Asegúrese de que los muebles y otros enseres estén a una distancia de la estufa que evite que se sequen con el calor.

Distancia a paredes de material combustible - vea la fig. 1
El horno debe instalarse con tubos de humos con aprobación CE

La distancia entre el tubo de humos y materiales combustibles tiene también que considerarse

Pared de materiales combustible protegidas con cortafuegos

Distancia a la pared de material combustible protegida con cortafuegos: vea la fig. 1. La estufa puede usarse con un tubo de humos sin aislamiento respetando las distancias con la pared de material inflamable indicadas en la figura 1. Las distancias con chimenea semi-aislada / conducto de humos blindado se muestran en la fig. 1.

Requisitos del cortafuegos

El muro cortafuegos debe tener un grosor mínimo de **100 mm** y estar hecho de ladrillo, hormigón armado u hormigón ligero. También pueden utilizarse otros materiales y estructuras que cuenten con la documentación correcta.

Pared incombustible (hasta el final)

La chimenea se puede instalar con un mínimo de **200 mm** en la pared no combustible si la distancia de la chimenea a cualquier material combustible es de mínimo de **500 mm**.

Con materiales no combustibles se entiende materiales como ladrillo, gres, concreto, lana mineral, placas de silicato, etc. (materiales que no se queman). **Note!** Asegúrese de que los muebles y otros enseres estén a una distancia de la estufa que evite que se sequen con el calor.

3.4 Techo

Entre la estufa y el techo combustible debe mediar una distancia mínima de **750 mm**.

JØTUL F 500 ECO

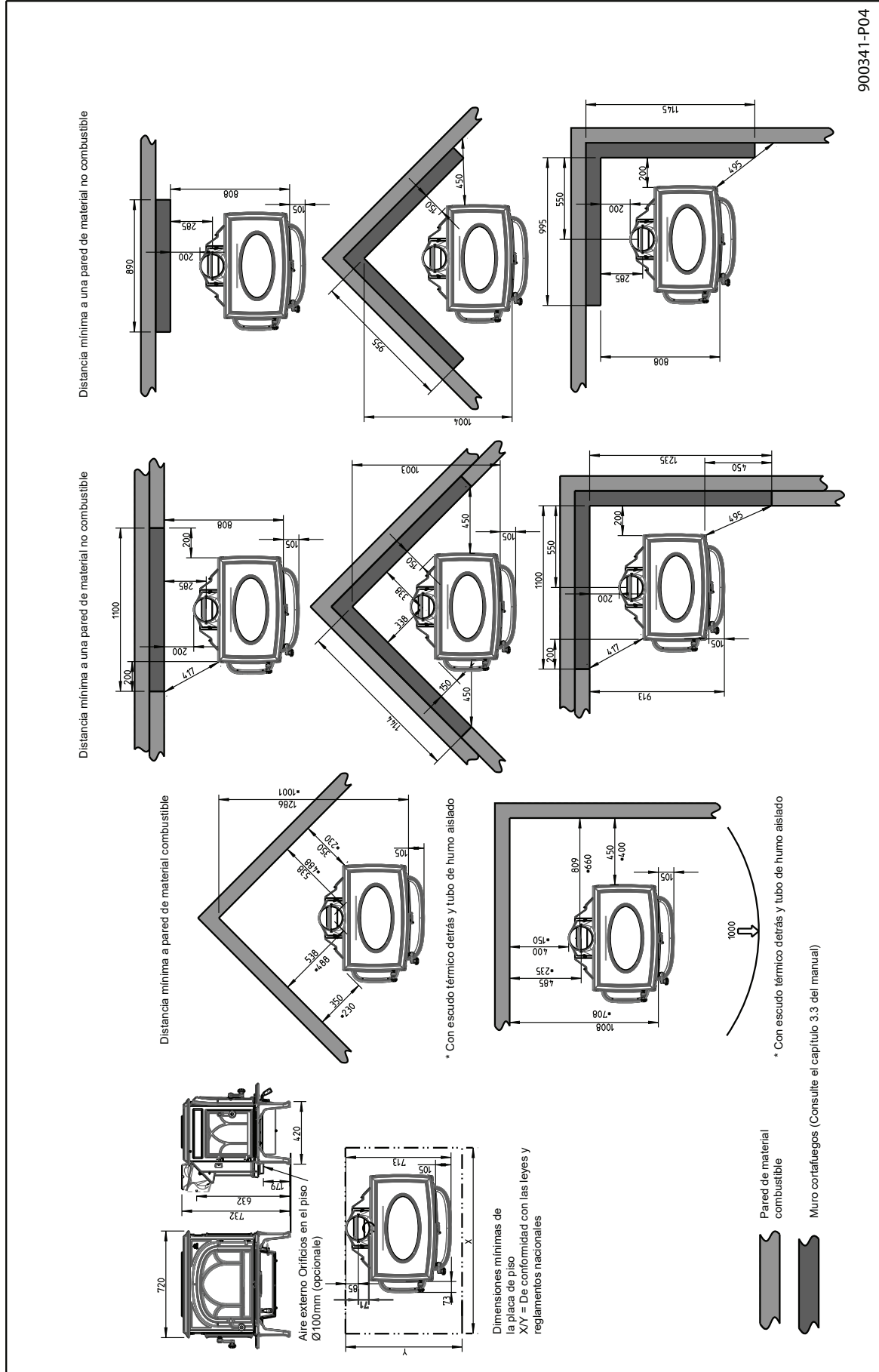


Fig. 1

4.0 Instalación

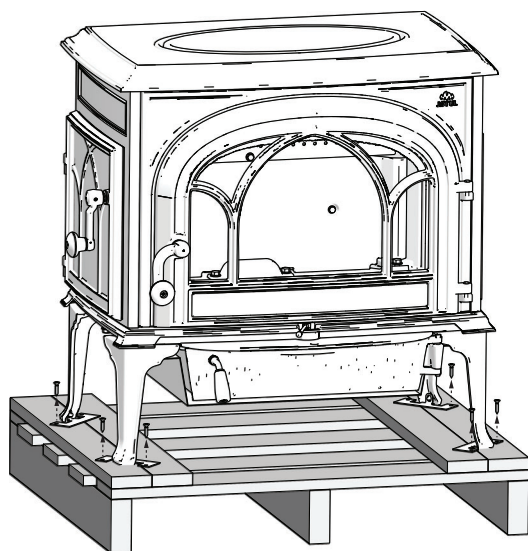
- Antes de instalar la chimenea, compruebe detenidamente que no presente ningún daño.
- El producto es pesado. Solicite ayuda para colocarlo e instalarlo.
- **Asegúrese de que el mobiliario y otros elementos del hogar se encuentren a una distancia segura de la chimenea para protegerlos de los efectos del calor.**

4.1 Antes de la instalación

1. El producto estándar se sirve en un solo paquete.
2. Retire la bolsa de los tornillos y la bandeja recogeceniza de la estufa.
3. Al desembalar el producto, suéltelo del palé.

Asegúrese de que todo esté en orden.

Fig. 2 Desanclaje del palé



1. Retire los ocho tornillos de transporte.

4.2 Instalación

Fig. 3a Montaje del tirador de la puerta lateral: piezas

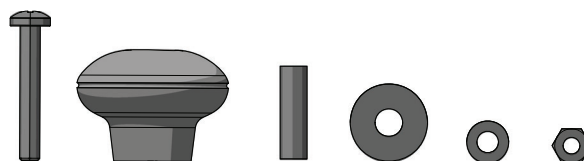
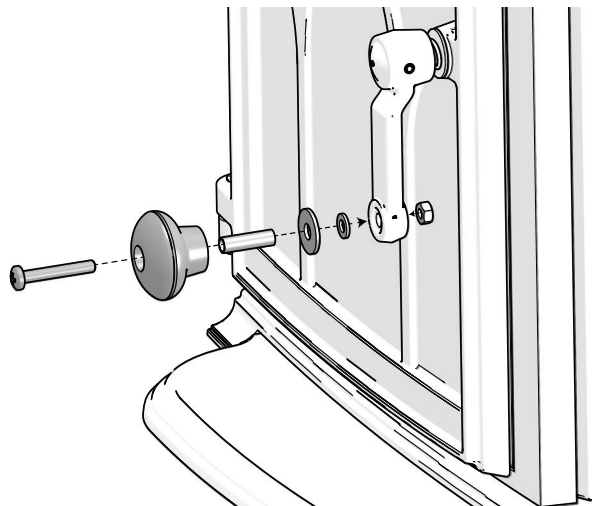


Fig. 3b Montaje del tirador de la puerta lateral



1. Monte el pomo de madera en el tirador de la puerta lateral. Las piezas están en la bolsa de tornillos.

Fig. 4a Montaje del tirador de la puerta del cajón cenicero: piezas

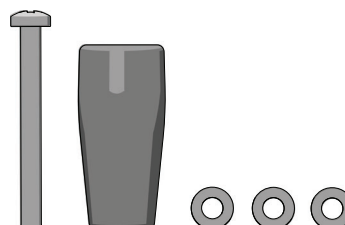
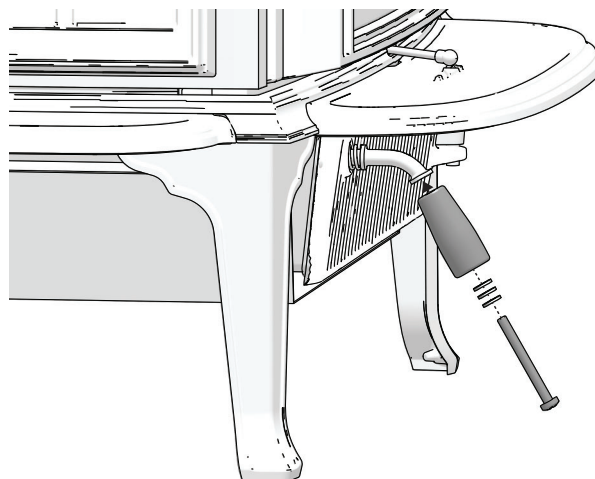
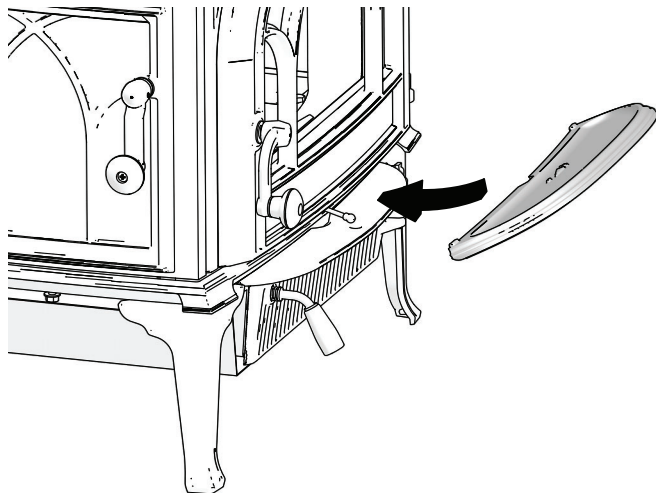


Fig. 4b Montaje del tirador de la puerta del cajón cenicero



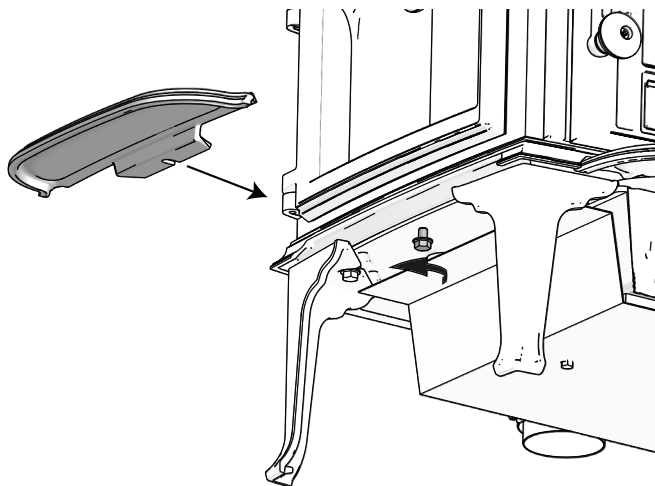
1. Monte el pomo de madera en el tirador de la puerta del cajón cenicero. Las piezas están en la bolsa de tornillos. 37

Fig. 5 Montaje de la bandeja recogeceniza frontal



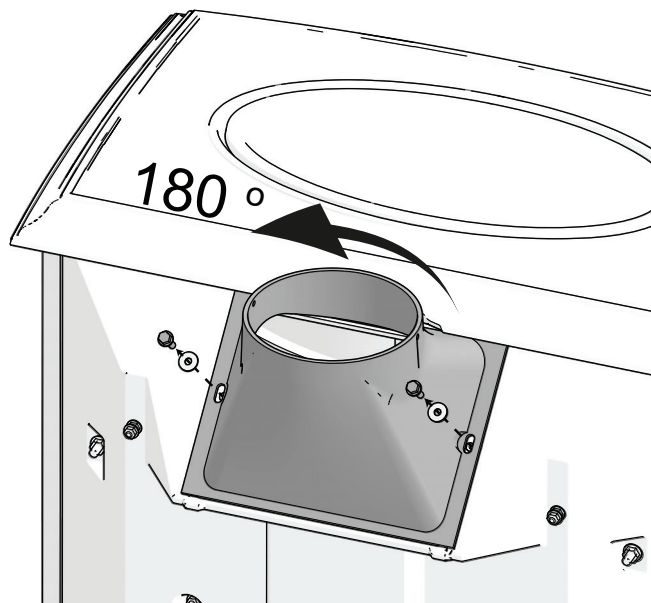
1. La bandeja recogeceniza se monta en la parte frontal de la estufa.

Fig. 6 Montaje de la bandeja recogeceniza lateral



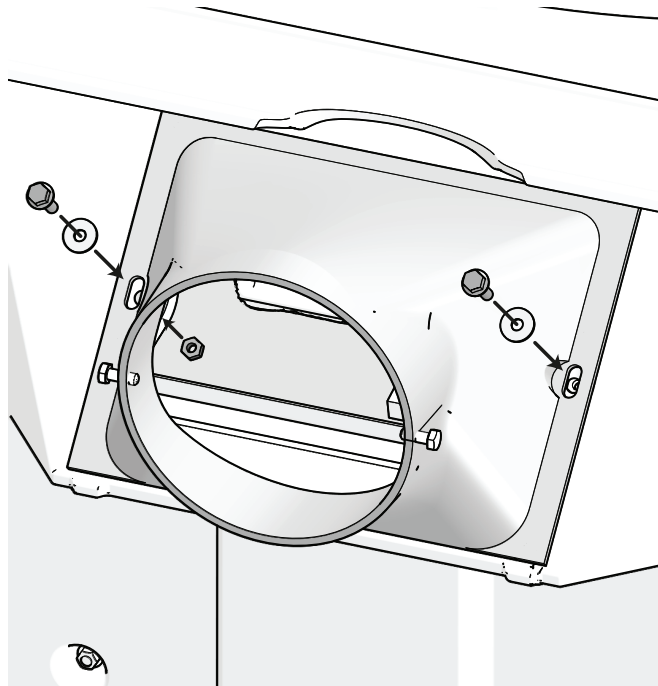
1. La bandeja recogeceniza lateral se monta debajo de la puerta lateral. Apriete el tornillo de la parte inferior para fijar la bandeja recogeceniza.

Fig. 7a Cambio de la salida superior a la salida trasera



1. Desatornille los dos tornillos con tuercas de la parte trasera.
2. Gire 180 grados la salida de humos.

Fig. 7b

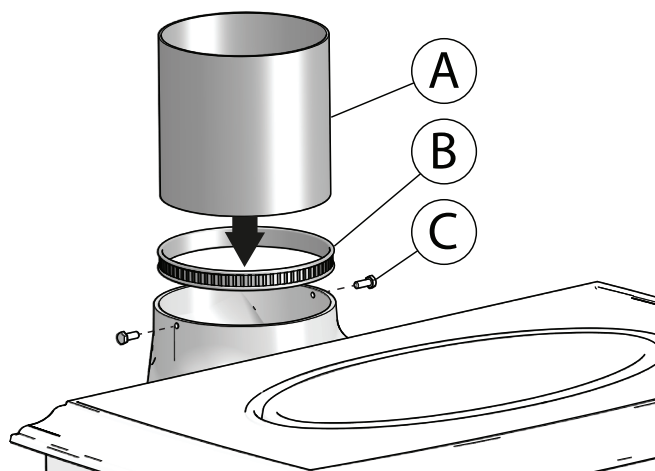


3. Fije la salida de humos con los mismos tornillos que se muestran en la fig. 7a.

Montaje del tubo de tiro

De serie, el producto se entrega con una salida de humos por la parte superior.

Fig. 8 Montaje del tubo de tiro



1. Con el tubo de tiro (A) completamente insertado hasta el fondo de la salida de humos, maque en el tubo los puntos que coincidan con los orificios de los tornillos y taladre un orificio de 7 mm en el tubo para alojar los tornillos (C).
2. Retire el papel protector de la junta suministrada (B) y acople la junta al extremo exterior del tubo de tiro.
3. Inserte el tubo de tiro en la salida de humos y fíjelo con los dos tornillos (C) de la bolsa de tornillos.

El tubo de tiro se instala de la misma manera para la salida superior y trasera.

4.3 Montaje con una toma de aire externa (extra opcional)

Entrada de aire exterior

En las viviendas bien aisladas, es necesario contar con una buena renovación del aire de combustión. Este punto es particularmente importante en las casas con ventilación mecánica. El aire de renovación se puede obtener de varias maneras. Lo más importante es que la estancia en la que se encuentre la estufa reciba un suministro de aire adecuado. Coloque el regulador de entrada de aire exterior tan cerca de la estufa como sea posible y asegúrese de mantenerlo cerrado cuando la estufa esté apagada.

Respete la normativa nacional y local al instalar la conexión de aire exterior.

Compruebe que el sistema de ventilación de la habitación en la que va a instalar la hogar no está bloqueado.

Sistema de combustión cerrada

Si la vivienda es de reciente construcción y cuenta con buenos cerramientos, utilice el sistema de combustión cerrada de la estufa. Conecte la entrada de aire de combustión exterior mediante un tubo de ventilación que entre por la fachada o el suelo.

Suministro de aire

El volumen de aire de combustión para los productos de Jøtul es de aproximadamente 20-40 m³/h.

La conexión de aire exterior se puede conectar directamente a la Jøtul F 500 ECO por:

- a parte inferior
- a través de un tubo flexible desde el exterior/chimenea (solo si la chimenea tiene su propio conducto para aire externo) y al conector de aire externo del producto.

Fig. 9a A través de una pared exterior

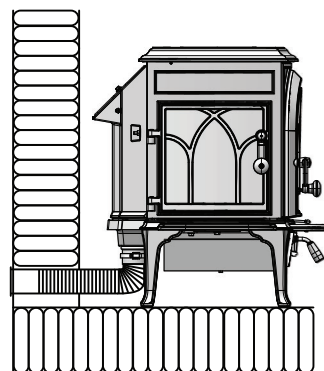


Fig. 9b A través de la placa de piso y el suelo

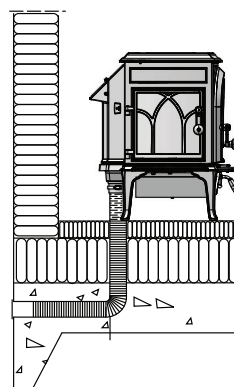


Fig. 9c A través del suelo y el zócalo

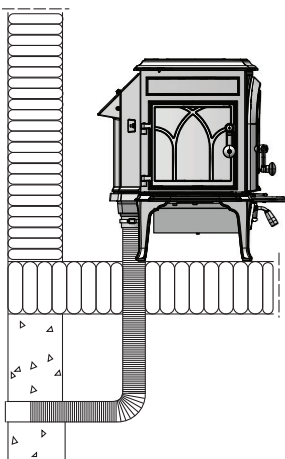


Fig. 9d Indirectamente a través de una pared exterior

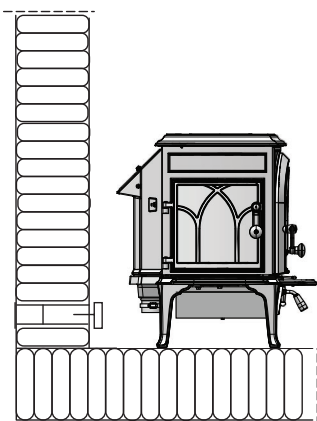
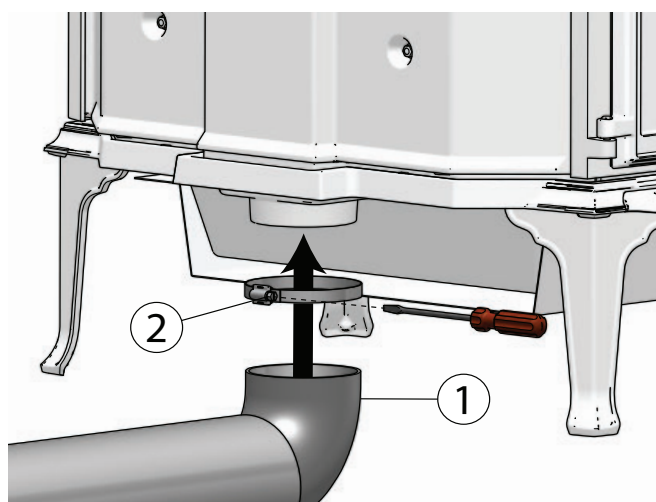


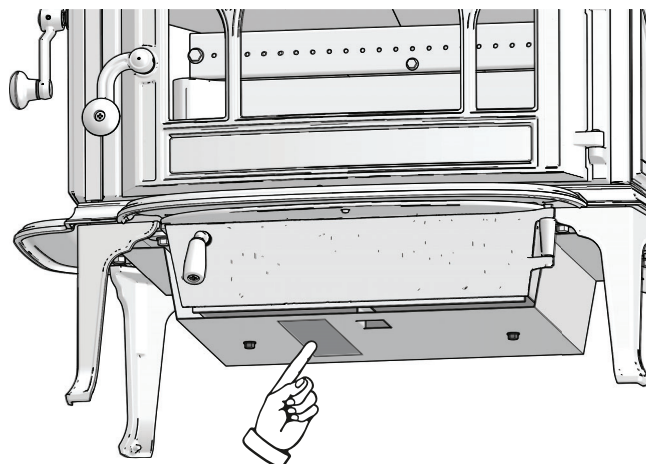
Fig. 10 Montaje de la conexión de suministro de aire externo



1. Coloque la conexión de suministro de aire externo mediante la abrazadera en el orificio de aire externo.
2. Apriete con un destornillador.

4.4 Ubicación de la etiqueta de homologación

Fig. 11 Etiqueta de homologación



1. La etiqueta de homologación se encuentra en la parte inferior de la estufa.

4.5 Chimenea y tubo del tiro

- La estufa solo debe conectarse a una chimenea y tubo de tiro homologados para estufas de combustible sólido con temperaturas de gas de tiro conforme a lo especificado en «2.0 Datos técnicos».
- Para la dimensión de la tubería de humos, consulte «2.0 Datos técnicos». NB: el diámetro de la chimenea debe ser al menos tan grande como el conducto de humos: $\text{Ø}150\text{mm}$ tubo de humos - 177 cm^2 .
- La chimenea debe conectarse de acuerdo con las instrucciones de instalación del proveedor de la chimenea
- Antes de practicar un orificio en la chimenea, debe instalarse provisionalmente el producto para marcar correctamente la posición de la estufa y del orificio de la chimenea. Consulte la Fig. 1 para determinar las dimensiones mínimas.
- Con una salida trasera, emplee un codo de tubo de tiro con una trampilla que permita su deshollinado.
- Los codos y cambios de dirección del conducto de evacuación de humo influyen en el tiro de la chimenea, reduciéndolo. Este efecto aún es más severo con la utilización de tramos horizontales. No olvide que es de suma importancia que las conexiones ofrezcan un cierto grado de flexibilidad. Ello tiene como fin prevenir que el movimiento de la instalación pueda generar grietas.
- Para recomendaciones sobre la corriente de chimenea, consulte el apartado «2.0 Especificaciones técnicas».

N. B.: La longitud mínima recomendada de la chimenea es de 4 m desde la inserción del tubo de tiro. Si la corriente es demasiado fuerte, podrá instalarse un amortiguador de tubo de tiro y utilizarse para reducir la corriente.

Si se instala una compuerta de tiro, debe ser de un tipo que no bloquee totalmente el tiro. El amortiguador debe ser fácil de operar e incorporar una abertura dentro de la cuchilla, que en un área continua ocupe al menos 20 cm^2 o 3% del área de la sección transversal de la cuchilla si esta es mayor.

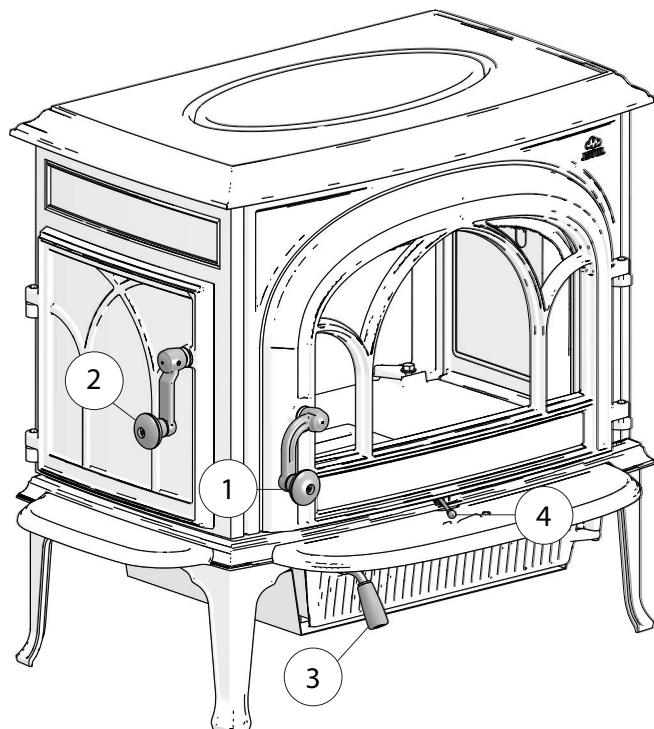
La posición del amortiguador debe ser reconocible desde el ajuste del dispositivo.

Si se instala un regulador de tiro, el requisito de área de sección transversal mínima no será aplicable, pero el dispositivo debe ser fácilmente accesible para su limpieza.

4.6 Comprobación del rendimiento

Cuando el producto esté montado, compruebe los mandos de regulación; deben moverse con facilidad y funcionar correctamente.

Fig. 12 La Jøtul F 500 ECO cuenta con los elementos de mando siguientes:



1. Tirador de la puerta frontal. Para abrir la puerta, levante el tirador hacia arriba (en el sentido de las agujas del reloj) y tire hacia fuera.
2. Tirador de la puerta lateral. Para abrir la puerta, levante el tirador hacia arriba (en el sentido de las agujas del reloj) y tire hacia fuera.
3. Tirador de la puerta del cajón cenicero. Para abrir la puerta, levante el tirador hacia arriba (en sentido contrario al de las agujas del reloj) y tire hacia fuera.
4. Válvula de aire/encendido. Se ajusta en sentido horizontal (ver fig. 13).

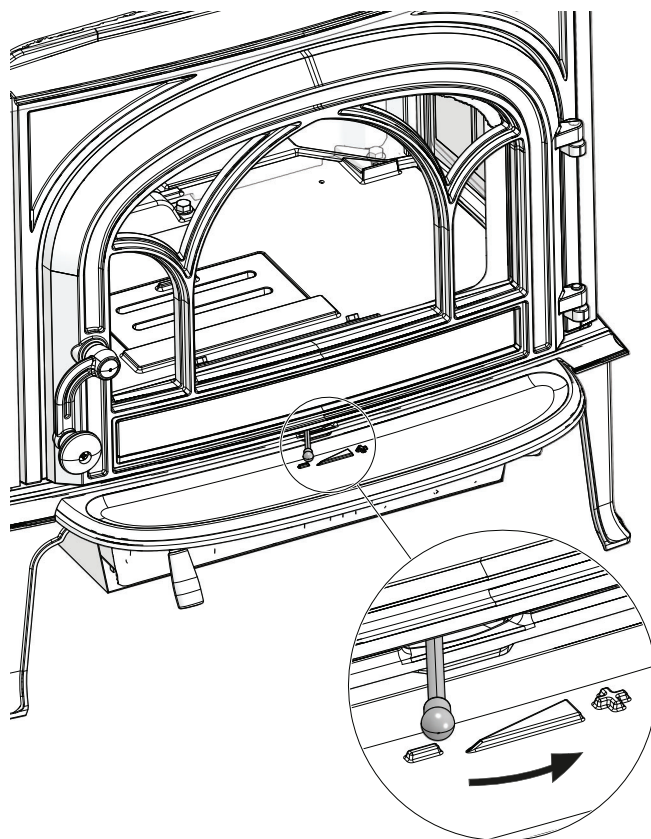
5.0 Uso diario

5.1 Olores al usar la estufa por primera vez

Cuando se usa la estufa por primera vez, puede emitir un gas irritante que huele ligeramente. Esto ocurre debido a que se seca la pintura. El gas no es tóxico, pero la habitación deberá ventilarse completamente. Deje que el fuego arda con mucha corriente hasta que haya desaparecido todo rastro del gas y no sea posible detectar humo ni olores.

5.2 Ajuste de la válvula

Fig. 13



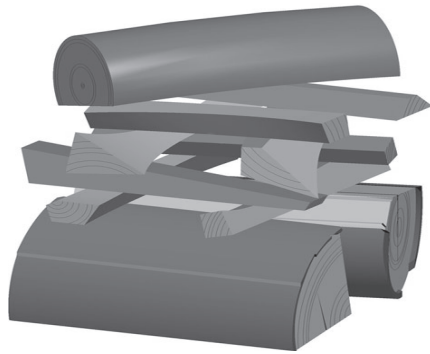
Hacia la derecha: **válvula abierta** (se usa durante el encendido).

Hacia la izquierda: **cerrada**.

5.3 Encendido inicial

- Abra la válvula de aire/encendido desplazando la palanca a la derecha. Si es necesario, mantenga la puerta ligeramente abierta. (Use un guante o algo similar para protegerse la mano en caso de que los manillares estén calientes).
- Coloque dos troncos en la parte inferior de la cámara de combustión (y apile las astillas para encender en capas).
- Ponga 2 ó 3 briquetas o astillas para encender debajo de la capa superior de astillas y encienda el fuego.
- Aumentar gradualmente el tamaño de los leños.
- Finalmente, coloque un leño de tamaño mediano en la parte superior de la pila.
- Entonces podrá regular el régimen de combustión para obtener el calor que desee ajustando el respiradero
- Cierre la puerta de la estufa. Siempre debe estar cerrada cuando el fuego esté encendido.

Fig. 14



5.4 Añadir madera

Avive la estufa con frecuencia pero añada solo una pequeña cantidad de leña en cada ocasión. Si la estufa está demasiado llena, el calor generado podría causar una elevada tensión en la chimenea. Añada combustible al fuego con moderación. Evite el fuego sin llama, pues es el que produce más contaminación. El fuego irá mejor cuando arda bien y el fuego que salga por la chimenea sea casi invisible.

5.5 Consejos de calentamiento

Nota: Los troncos que se hayan almacenado en el exterior o en una habitación fría deberán meterse al interior 24 horas antes de usarlos para que alcancen la temperatura ambiente.

Hay varias formas de calentar la estufa, pero siempre es importante tener cuidado con lo que introduce en ella. Consulte la sección sobre "Calidad de la madera".

¡NÓTESE BIEN! La combustión con un suministro de aire demasiado bajo puede provocar una combustión pobre, una eficiencia más baja, altas emisiones de partículas, carbono negro y otros compuestos peligrosos para la salud y el clima

Calidad de la madera

Por madera de calidad nos referimos a los tipos más conocidos de madera, como abedul, picea y pino.

Los troncos deben secarse de forma que su contenido en humedad no supere el 20 %.

Para esto, los troncos deben cortarse a finales del invierno. Deben partirse y apilarse de forma que se garantice una buena ventilación. Las pilas de madera deben estar cubiertas para proteger los troncos de la lluvia. Los troncos deben ponerse a cubierto a principios del otoño y apilarse para utilizarlos en el próximo invierno.

Tenga cuidado especialmente de no usar nunca los siguientes materiales como combustible en su estufa:

- Basura doméstica, bolsas de plástico, etc.
- Madera pintada o impregnada (*que es extremadamente tóxica*).
- Planchas de madera laminada.
- Restos de madera

Pueden dañar el producto y también son contaminantes.

Nota: Nunca use gasolina, parafina, alcohol desnaturalizado o líquidos similares para encender el fuego. Puede sufrir lesiones graves y ocasionar serios daños al producto.

5.6 Consumo de leña

La Jøtul F 500 ECO tiene una potencia calorífica nominal de aprox. 8,8 kW. Uso de madera con emisión calorífica nominal: Aprox. 2,4 kg/h. El tamaño de los troncos debe ser:

Astillas:

Longitud: 30-55 cm

Diámetro: 5 cm

Cantidad por fuego: 5-8 piezas

Leña (troncos partidos):

Longitud: 35 cm

Diámetro: Aprox. 8-13 cm

Intervalos de adición de madera: Cada 48 minutos aprox.

Tamaño del fuego: 1,97 kg (Eficiencia nominal)

Cantidad por carga: 3 piezas

Los resultados de las pruebas se han obtenido cargando 3 troncos de 35 cm de largo, con un peso total de 1,97 kg. Los troncos se colocan de manera transversal. Juego de válvulas para aproximadamente el 40 % de aire.

5.7 Peligro de sobrecalentamiento

La estufa no debe usarse nunca de manera que se sobrecaliente

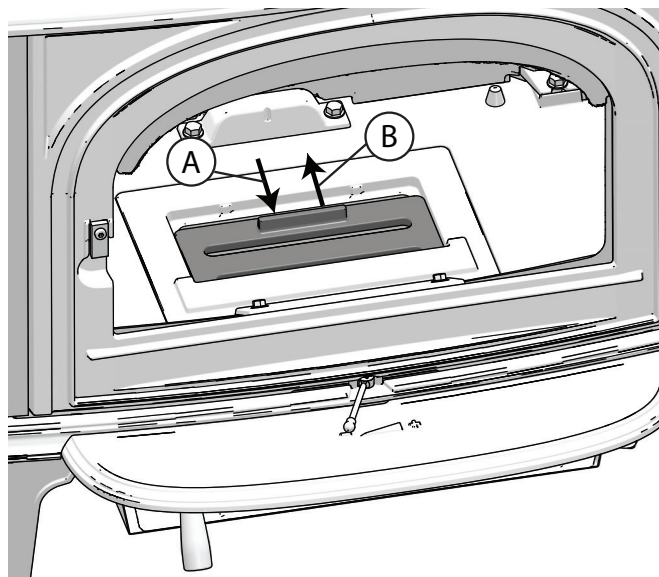
Se produce sobrecalentamiento cuando hay demasiado combustible y/o demasiado aire y se produce demasiado calor. Un signo seguro de sobrecalentamiento es cuando partes de la estufa se ponen al rojo. Si sucede esto, reduzca de inmediato la abertura del respiradero.

Solicite la ayuda de un profesional si sospecha que la corriente de la chimenea no es correcta (demasiada corriente o demasiado poca). Para más información, consulte «4.0 Instalación» (chimenea y tubo de tiro).

5.8 Eliminar las cenizas

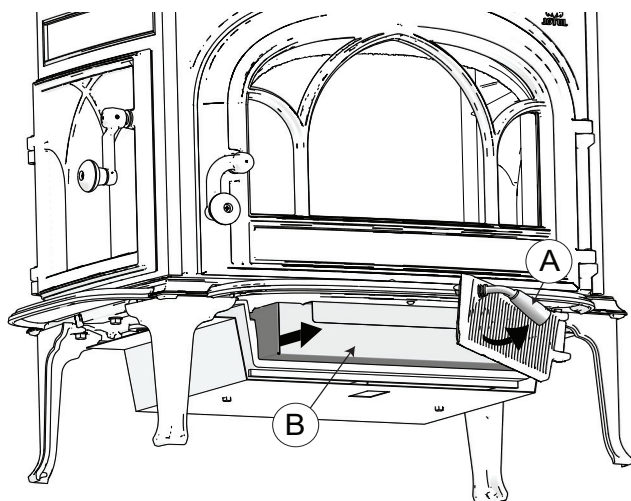
- Antes de retirar las cenizas, asegúrese de que la estufa esté fría.
- Utilice una pala para raspar las cenizas.
- Las cenizas deben depositarse fuera en un contenedor de metal.

Fig. 15 Rejilla



1. La rejilla se abre (A) tirando de ella hacia la puerta con una herramienta de estufa adecuada.
2. Las cenizas se evacúan a través de ella.
3. Después, vuelva a cerrar la rejilla (B). Durante el encendido, la rejilla debe permanecer cerrada para garantizar una combustión óptima.

Fig. 16 Cajón cenicero



4. Abra la puerta del cajón cenicero con el tirador (A). Saque el cajón cenicero (B) y vierta las cenizas en un recipiente adecuado. Por último, vuelva a colocar el cajón cenicero.

5.9 Incidencia del viento y la condiciones meteorológicas sobre el rendimiento de la estufa

El rendimiento de la estufa puede verse notablemente afectado por las variaciones en la fuerza del viento que incide sobre la chimenea. Por ello, es posible que haya que ajustar la entrada de aire para lograr una combustión adecuada. También puede ser buena idea instalar una compuerta en el tubo de humos para poder regular el tiro de la chimenea en función de la fuerza del viento.

La niebla y la neblina pueden afectar de forma importante al tiro de la chimenea; por eso, en estos casos puede ser necesario modificar los ajustes del aire de combustión para garantizar un buen rendimiento.

5.10 Condensación

Puede darse condensación en hogares / conductos / chimeneas. La condensación la generan la leña con exceso de humedad y las diferencias de temperatura entre el hogar y el entorno, especialmente por enfriamiento del conducto. El líquido de condensación de la chimenea aparece como un líquido negro tipo alquitrán. Este líquido conviene limpiarlo inmediatamente para evitar que se decolore la superficie afectada, ya sea el hogar, la estufa, el suelo, o el revestimiento. Es importante comenzar con un fuego vivo lo antes posible para evitar condensaciones.

Si la condensación continúa, puede colocar arena mineral en la base de la cámara de combustión.

5.11 Chimenea

La chimenea es el «motor» del aparato, por lo que es esencial disponer de una buena chimenea para que funcione correctamente.

El tiro de la chimenea genera en el hogar un vacío que expulsa el humo al exterior e inyecta aire por el deflector de aire de combustión para alimentar el fuego.

El aire de combustión también alimenta el sistema de limpieza por aire que evita que se acumule hollín en el cristal.

El tiro se produce por la diferencia de temperatura entre el interior y el exterior de la chimenea. Cuanto mayor es la diferencia de temperatura, mejor tira la chimenea. Por tanto, es importante dejar que la chimenea alcance la temperatura de funcionamiento adecuada antes de ajustar las entradas de aire para limitar la combustión en el hogar (*las chimeneas de obra tardan más que las de acero en alcanzar la temperatura de funcionamiento*).

Es especialmente importante alcanzar la temperatura de funcionamiento con la máxima rapidez en los días de viento desfavorable y condiciones meteorológicas adversas. Asegúrese de que el combustible prenda lo antes posible. Consejo práctico: corte la leña en trozos mucho más pequeños y utilice más pastillas de encendido.

Nota: si no ha utilizado el aparato durante bastante tiempo, asegúrese de que la chimenea no esté obstruida.

6.0 Mantenimiento

6.1 Limpieza del cristal

El producto está equipado con un sistema de inyección de aire para el cristal. El aire se introduce a través del respiradero de la parte superior del producto y se desplaza hacia abajo a lo largo de la cara interior del cristal.

Aunque siempre se adhiere algo de hollín al cristal, la cantidad dependerá de las condiciones de tiro locales y del ajuste del respiradero de ventilación. La mayor parte de la capa de hollín se suele quemar cuando se abre completamente el respiradero de ventilación y arde un fuego vivo en la estufa.

Un buen consejo! Para la limpieza normal humedezca una toalla de papel en agua caliente y añádale cenizas de la cámara de combustión. Frote el cristal con la toalla de papel y, a continuación, enjuáguelo con agua limpia. Séquelo bien. Si es necesario limpiar el cristal más a fondo, recomendamos el empleo de un limpiacristales (siga las instrucciones de uso del envase).

6.2 Limpieza y eliminación del hollín

Pueden acumularse depósitos de hollín sobre las superficies internas de la estufa durante su uso. El hollín es un buen aislante y, por lo tanto, reduce la producción de calor de la estufa. Si dichos depósitos de hollín se acumulan durante el uso del producto, pueden eliminarse fácilmente con el limpiador de hollín.

Para evitar que en la estufa se forme una capa de agua y de alquitrán, es necesario dejar regularmente que el fuego arda con fuerza. Para obtener la máxima producción calorífica del producto, es necesario limpiar el interior del producto una vez al año. Es una buena idea hacerlo cuando desholline la chimenea y los tubos de humos.

6.3 Deshollinar los tubos de humos a la chimenea

En determinadas estufas autoestables, la placa superior puede retirarse, deshollinando el tubo por la parte superior. En caso contrario, se deben deshollinar los tubos de humos a través de una trampilla de deshollinamiento del tubo de humos o a través de la puerta del producto. Deberá retirarse la placa deflectora.

6.4 Inspección de la estufa

Jøtul le aconseja que inspeccione personalmente la estufa de forma minuciosa después de deshollinar o limpiar. Compruebe si existen fisuras en las superficies visibles. Compruebe también que todas las uniones están selladas y que las juntas están bien colocadas. Las juntas que muestren signos de desgaste o deformación deben sustituirse.

Limpie a fondo las ranuras de la junta, aplique adhesivo cerámico (disponible en su proveedor Jøtul local) y presione sobre la junta para que encaje en posición. La unión se secará en poco tiempo.

6.5 Mantenimiento exterior

Tras algunos años de utilización es posible que el color de los productos pintados se altere. Debe cepillarse la superficie para limpiarla de partículas sueltas antes de aplicar la nueva pintura.

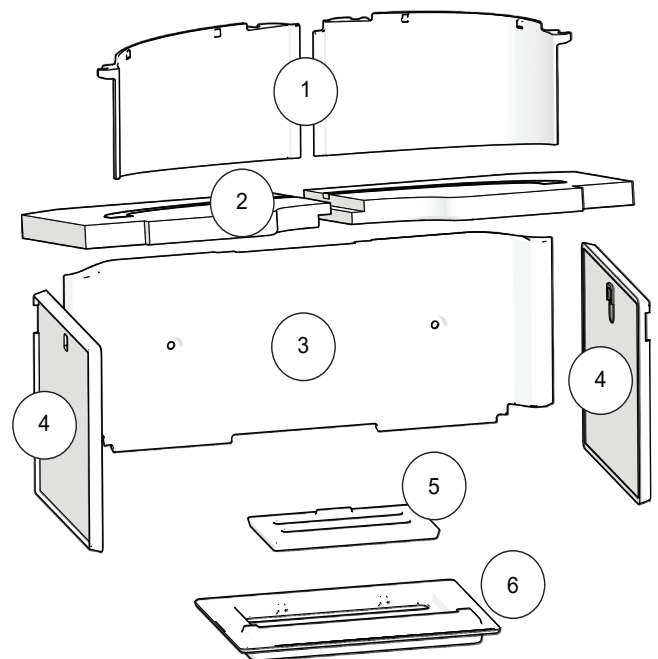
Los productos esmaltados deben limpiarse únicamente con un paño limpio y seco. No utilice agua y jabón. Las manchas pueden eliminarse con un líquido de limpieza (un producto para limpiar hornos, etc.).

7.0 Conservación

Está prohibido realizar modificaciones no autorizadas en el producto.

Deben utilizarse exclusivamente piezas de repuesto originales.

Fig. 17

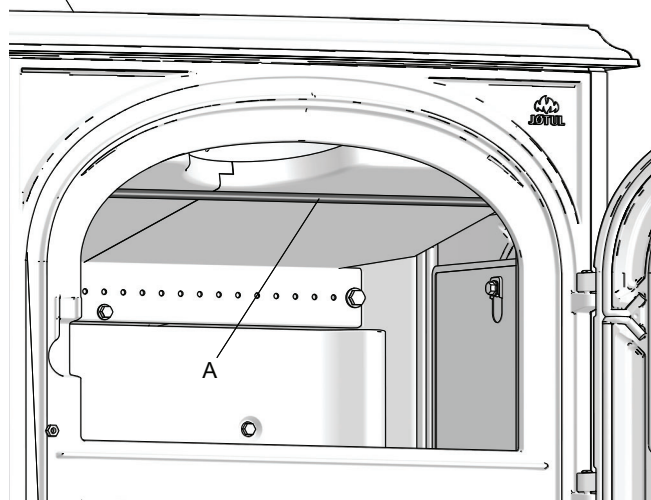


1. Deflector de escape (dos piezas)
2. Placa deflectora (dos piezas)
3. Placas de combustión traseras
4. Placas de combustión laterales (dos piezas)
5. Rejilla
6. Soporte de la rejilla

7.1 Sustitución de la placa deflectora

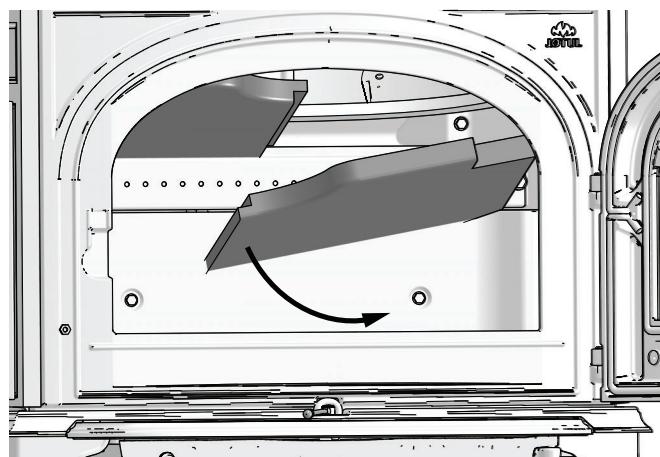
Use las herramientas con mucho cuidado

Fig. 18a Desanclaje de las placas deflectoras



1. Tendrá que levantar la barra de soporte (A) que mantiene la placa deflectora en su sitio hacia arriba y hacia usted antes de poder sacarla de la estufa. **Nota:** Ahora, las dos placas deflectoras estarán sueltas y será preciso sujetarlas para que no se caigan.

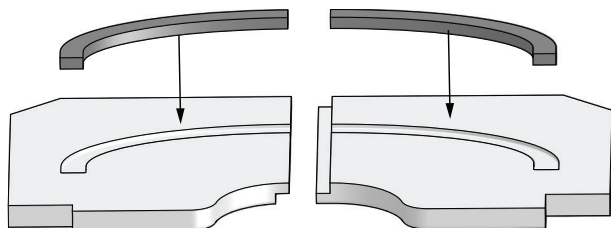
Fig. 18b Retirada de las placas deflectoras



2. Ahora, las placas deflectoras están sueltas y se pueden sacar de la estufa. **Nota:** Primero la placa derecha y luego la placa izquierda.

Siga el mismo procedimiento en orden inverso para montar las piezas nuevas (consulte primero la **Fig. 18c**).

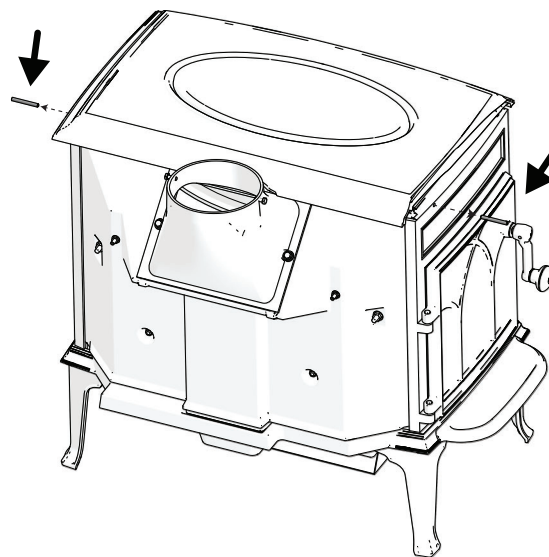
Fig. 18c Sustitución de la junta de la placa deflectora



3. Cuando sustituya la placa deflectora, deberá sustituir también la junta que conecta con el deflector de escape. Para ello, introduzca las juntas suministradas en las ranuras de la parte superior de la placa deflectora.

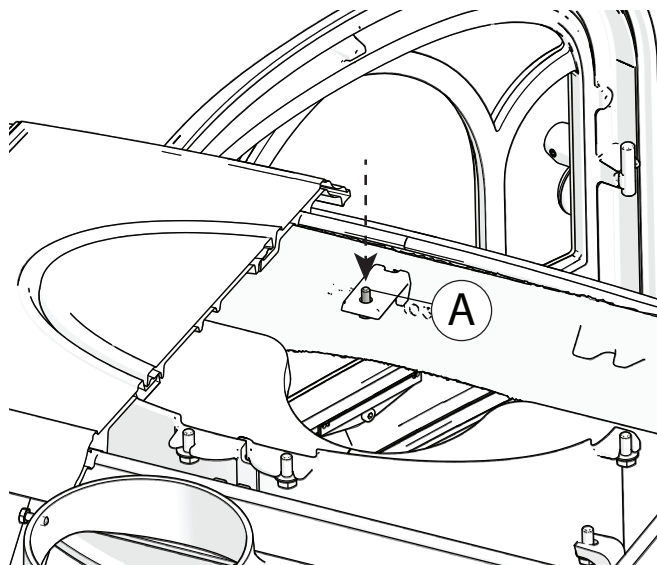
7.2 Sustitución del deflector de escape

Fig. 19a Sustitución del deflector de escape



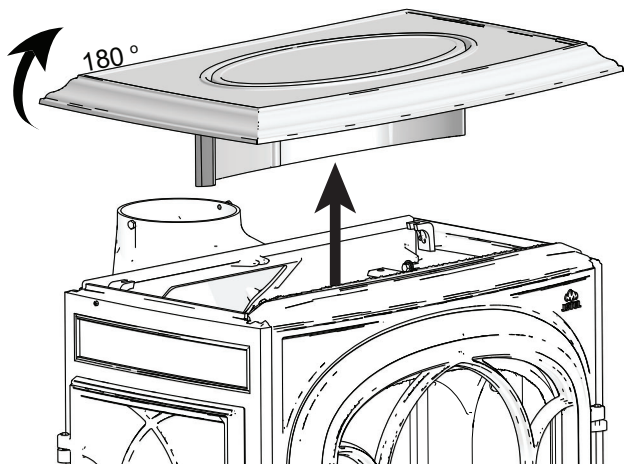
1. Afloje los dos tornillos que hay uno a cada lado de la estufa.

Fig. 19b Sustitución del deflector de escape



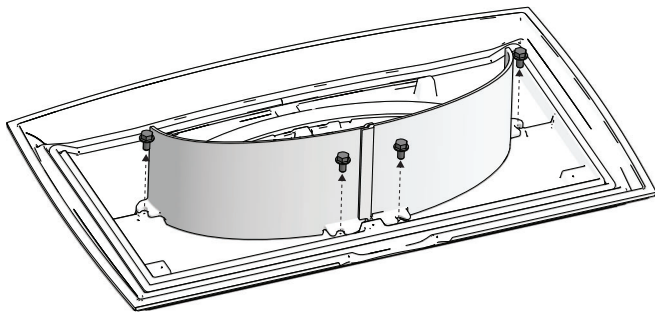
2. Afloje el tornillo (A) que sujeta la placa superior en su sitio. Esta operación debe llevarse a cabo desde el interior de la cámara de combustión.

Fig. 19c Sustitución del deflector de escape



3. Levante la placa superior, gírela 180 grados y deposítela sobre una superficie plana. **Nota:** Es importante que la superficie sea blanda para que la placa no sufra daños

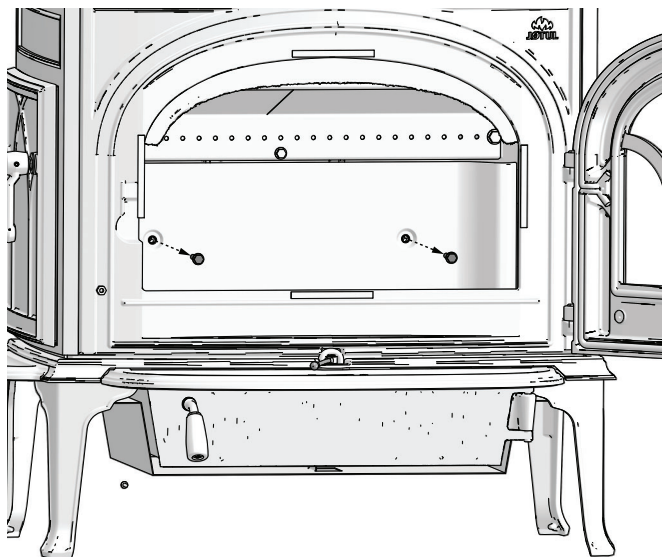
Fig. 19d Sustitución del deflector de escape



4. Afloje los cuatro tornillos que fijan el deflector de escape a la placa superior.
5. El procedimiento para montar las piezas nuevas es el mismo en orden inverso.

7.3 Cambio de las placas de combustión

Fig. 20a Sustitución de la placa de combustión trasera



1. Afloje la placa de combustión trasera desatomillando los tornillos tal como se muestra en la figura. Los tornillos son continuos y tienen tuercas en la parte trasera de la estufa

46 (consulte la fig. 20b).

Fig. 20b

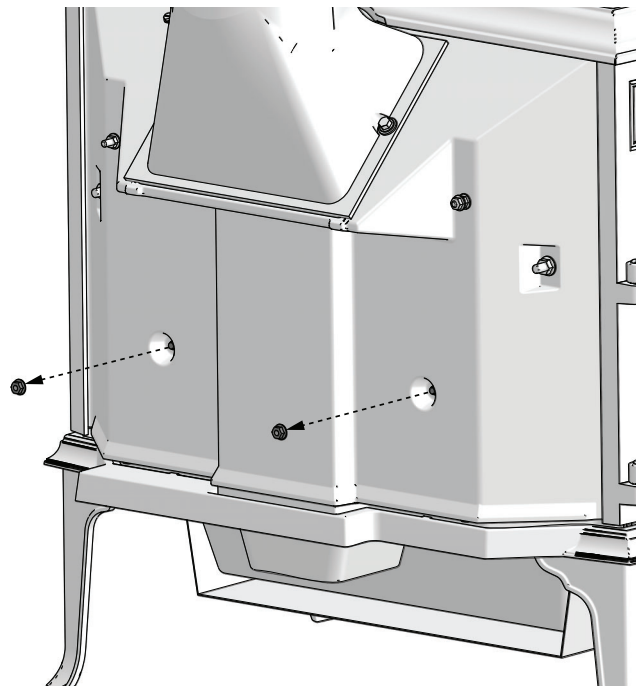
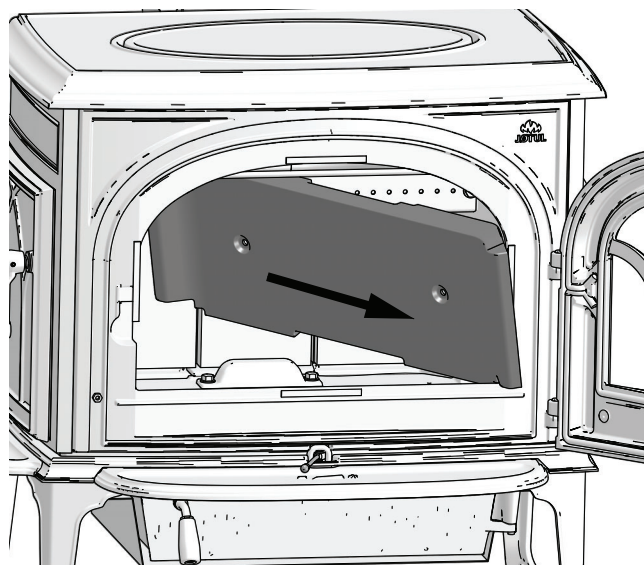
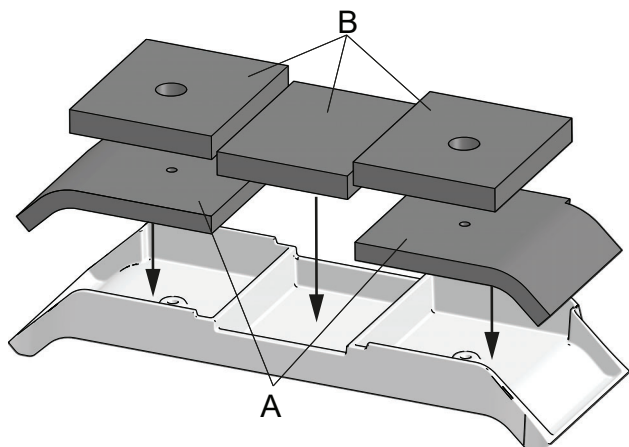


Fig. 20c



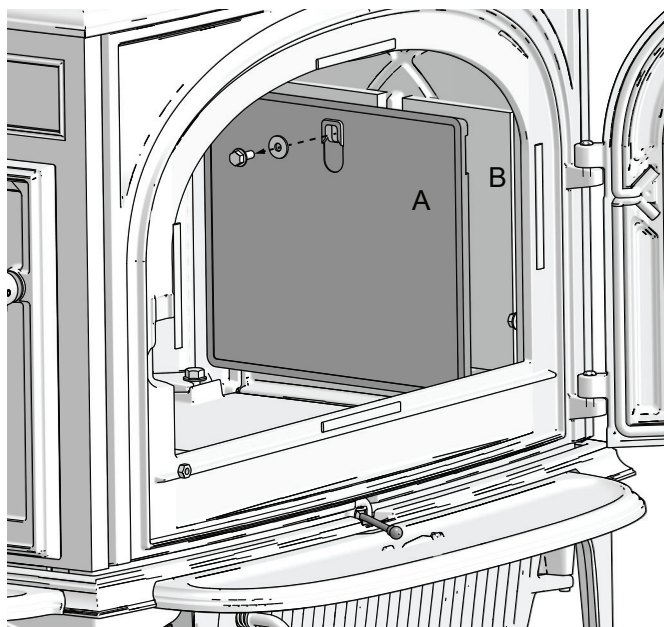
2. Saque la placa de combustión trasera de la estufa.
3. El procedimiento para montar las piezas nuevas es el mismo en orden inverso. (consulte primero la fig. 21 [alfombras aislantes]).

Fig. 21 Sustitución de las alfombras aislantes



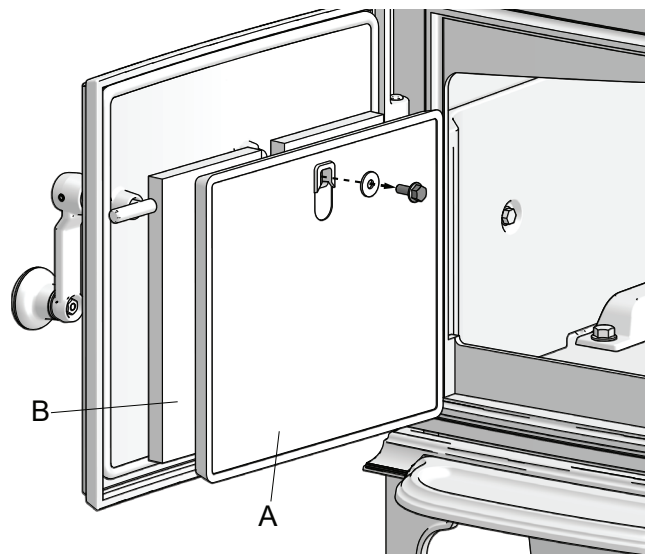
4. Detrás de la placa de combustión trasera hay cinco alfombras aislantes. Estas alfombras deben reemplazarse cuando se sustituye la placa de combustión trasera. Deposite la nueva placa de combustión trasera sobre una superficie adecuada y coloque las alfombras aislantes tal como se muestra en la figura. **Nota:** Es importante colocar las alfombras aislantes exactamente del modo descrito en la figura, ya que no todas las alfombras tienen el mismo grosor. Alfombras aislantes A = 19 mm de grosor (dos unidades), B = 25 mm de grosor (tres unidades).

Fig. 22 Sustitución de la placa de combustión lateral (derecha)



1. Afloje el tornillo y la arandela que mantienen la placa de combustión lateral (A) y la alfombra aislante (B) en su sitio.
2. Saque la placa de combustión lateral y la alfombra aislante de la estufa.
3. El procedimiento para montar las piezas nuevas es el mismo en orden inverso.

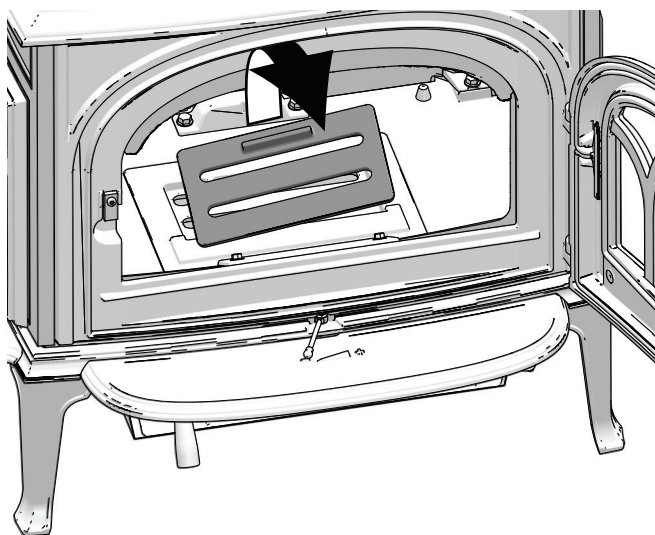
Fig. 23 Sustitución de la placa de combustión lateral de la puerta lateral



1. Abra la puerta lateral.
2. Afloje el tornillo y la arandela que mantienen la placa de combustión (A) y la alfombra aislante (B) en su sitio.
3. Retire la placa de combustión y la alfombra aislante de la puerta lateral.
4. El procedimiento para montar las piezas nuevas es el mismo en orden inverso.

7.4 Sustitución de la rejilla

Fig. 24 Sustitución de la rejilla



1. Incline hacia arriba la rejilla que descansa suelta sobre la placa inferior de la estufa.

8.0 Problemas de funcionamiento: solución de problemas

Poco tiro

1. Compruebe la longitud de la chimenea y que cumple los requisitos y normativas nacionales. (Consulte también la información de la secciones «**2.0 Información técnica**» y «**4.0 Instalación**» (**Chimenea y tubo de humos**)).
2. Compruebe que la sección transversal mínima de la chimenea corresponde a lo indicado en la sección «**2.0 Información técnica**».
3. Cerciórese que no hay ningún obstáculo que impida el escape de los gases: ramas, árboles, etc.
4. Si sospecha que el tiro de la chimenea es excesivo o escaso, solicite ayuda profesional para su medición y ajuste.

La llama se extingue transcurrido un tiempo

1. Asegúrese de que la leña está suficientemente seca.
2. Averigüe si existe presión negativa en la vivienda, apague los sistemas de ventilación mecánicos y abra una ventana cercana a la estufa.
3. Compruebe que el respiradero está abierto.
4. Compruebe que la toma de la salida de humos no está obstruida con hollín.

Se acumula una cantidad anormal de hollín en el cristal

Siempre se adherirá algo de hollín al cristal, pero la cantidad depende de:

- Humedad del combustible.
- Las condiciones de tiro locales.
- Apertura del respiradero de ventilación.

La mayor parte del hollín se suele quemar cuando se abre completamente el respiradero de ventilación y arde un fuego vivo en la estufa. (Consulte la sección «6.1 Limpieza del cristal - un buen consejo!».)

9.0 Equipo opcional

9.1 Escudo térmico trasero

N.º art 50012977

9.2 Kit de conexión para aire exterior Ø 100

N.º art 51012164

9.3 cubierta superior de esteatita

N.º art 50012992

10.0 Reciclaje

10.1 Reciclaje del embalaje

- Su estufa se entrega con el siguiente embalaje:
- Un palé de madera que puede cortarse y quemarse en la estufa.
- Embalaje de cartón que debe llevarse a un punto de reciclaje local.
- Bolsas de plástico que deben llevarse a un punto de reciclaje local.

10.2 Reciclaje de la estufa

La estufa se compone de:

- Metal que debe llevarse a un punto de reciclaje local.
- Cristal que debe desecharse como un residuo peligroso. El cristal de la estufa no debe depositarse en un contenedor de separación convencional.
- Placas de combustión de vermiculita que pueden desecharse en contenedores de desechos convencionales.

11.0 Términos de la Garantía

1. Nuestra garantía cubre:

Jøtul AS garantiza que las partes exteriores de hierro fundido están libres de defecto en materiales o fabricación en el momento de la compra. Usted puede extender esta garantía sobre las piezas exteriores de fundición hasta 25 años desde la fecha de entrega del producto registrándolo en jotul.com, e imprimiendo la tarjeta de ampliación de la garantía en un plazo de tres meses a contar desde la fecha de compra. Recomendamos conservar la tarjeta de garantía junto con el justificante de compra. Jøtul AS también garantiza que las piezas de acero están libres de defectos de material o fabricación en el momento de la compra y durante un período de 5 años a partir de la fecha de entrega.

La garantía solamente tendrá validez si la instalación de la estufa se encarga a un instalador cualificado y se realiza con arreglo a la normativa en vigor y siguiendo las instrucciones de instalación y funcionamiento de Jøtul. Los productos reparados y las piezas sustituidas estarán garantizados durante el tiempo que quede de la garantía original.

2. La garantía no cubre:

- 2.1. Los daños en las piezas de desgaste, como placas de combustión, rejillas, deflectores de humos, juntas y similares, puesto que se deterioran con el tiempo debido al uso normal.
- 2.2. Los daños derivados de un mantenimiento inadecuado, sobrecalentamiento o uso de combustibles inadecuados (ejemplos de combustible inadecuado son entre otros: restos de madera extraídos del mar, madera impregnada, recortes de tablas, aglomerado, etc.) o de leña demasiado húmeda
- 2.3. La instalación de accesorios opcionales que rectifiquen el tiro, el suministro de aire u otras circunstancias fuera del control de Jøtul.
- 2.4. Casos derivados de alteraciones o modificaciones de la estufa efectuadas sin el consentimiento de Jøtul, o el uso de piezas no originales.
- 2.5. Daños producidos en el almacén de un distribuidor, en el transporte posterior o durante la instalación
- 2.6. Productos vendidos por distribuidores no autorizados en zonas donde Jøtul opera según distribución selectiva
- 2.7. Costes asociados (por ejemplo, pero no solo, transporte, mano de obra, gastos de viaje) o daños indirectos

Las estufas de pellets, cristal, piedra, hormigón, acabados de pintura y esmalte (por ejemplo, pero no solo golpes, grietas, burbujas, decoloramiento, etc) están sujetos a la legislación nacional de consumo aplicable. Esta garantía es válida para compras realizadas dentro del territorio del Espacio Económico Europeo. Todas las reclamaciones de garantía se tramitarán a través de su distribuidor autorizado Jøtul local en un plazo razonable de tiempo que no excederá de 14 días respecto a la fecha en la que se detecte la falta o defecto por primera vez. Consulte la lista de importadores y distribuidores en nuestra página web www.jotul.com

Si Jøtul no pudiese cumplir con las obligaciones descritas en los términos de la garantía, se ofrecerá un producto alternativo de capacidad calorífica comparable

Jøtul se reserva el derecho a rechazar cualquier reposición de piezas si la garantía no se ha registrado online. Esta extensión de garantía únicamente añade coberturas, y no disminuye en medida alguna los derechos del consumidor y las garantías establecidas por la ley. Los derechos de garantía nacional empezarán a contar desde la fecha de compra y solamente podrán ejercerse previa presentación del justificante de compra/número de serie.

IT - Manuale di installazione ed uso

Indice generale

1.0 Conformità alle leggi.....	50
2.0 Dati tecnici.....	50
3.0 Sicurezza.....	51
4.0 Installazione.....	53
5.0 Utilizzo giornaliero.....	57
6.0 Manutenzione.....	60
7.0 Assistenza.....	60
8.0 Risoluzione dei problemi.....	63
9.0 Accessori opzionali.....	64
10.0 Riciclaggio.....	64
11.0 Termini della garanzia.....	64

Registrare il proprio caminetto sul sito jotul.com per una garanzia di 25 anni.

Product: Jøtul Room heater fired by solid fuel				
Standard Minimum distance to adjacent combustible materials: Minimum distance to adjacent non-combustible materials: Emission of CO in combustion products: Flue gas temperature Nominal heat output Efficiency Operation range Fuel type Operational type The appliance can be used in a shared flue.				
Country	Classification	Certification standard	Approved by	
Norway	klasse II			
Sweden	ret.	SP	SP Sveriges Provnings- och Forskningsinstitut AS	
EUR	Intermittent	EN	SP Swedish National Testing and Research Institute	
Follow user's instructions. Use only recommended fuels. Montage- und Bedienungsanleitung beachten. Verwenden Sie nur empfohlenen Brennstoffen. Respectez les consignes d'utilisation. Utilisez uniquement les combustibles recommandés.				
Lot no: Y-xxxx, Year: 200x				
Manufacturer: Jøtul AS POB 1 641 N-1652 Fredrikstad Norway		221546		

Su tutti i nostri prodotti è applicata un'etichetta che indica il numero di serie e l'anno. Annotare questo numero dove indicato nelle istruzioni di installazione. Citare sempre questo numero di serie quando ci si rivolge al rivenditore o a Jøtul.

Lot no. Pin.

1.0 Conformità alle leggi

L'installazione di una stufa deve essere eseguita in conformità alle leggi e alle norme locali di ogni paese.

L'installazione del prodotto deve essere conforme a tutte le norme locali, incluse quelle che fanno riferimento a direttive europee o specifiche del paese.

L'installazione può essere effettuata solo dopo un'accurata ispezione da parte di personale qualificato.

Sul prodotto è applicata una targhetta, realizzata in materiale termoresistente e contenente dati e informazioni sull'identificazione del prodotto.

2.0 Dati tecnici

Materiale	Ghisa
Rivestimento esterno	Vernice nera
Combustibile	Legna
Lunghezza massima dei ceppi	55 cm
lunghezza raccomandata dei ceppi	30-55 cm
Scarico fumi	Superiore, posteriore
Dimensioni condotto dei fumi	Ø 150 mm
Circolazione dell'aria	Alu. flex - Ø 100 mm
Peso Jøtul F 500 ECO	200 kg
Accessori opzionali	Scudo termico posteriore, Kit di alimentazione dell'aria esterna, copertura superiore in pietra ollare.
Dimensioni, distanze	Vedere fig. 1

Dati tecnici conformi alla norma EN 13240/

Potenza termica nominale	8,8 kW
Volume dei fumi	6,6 g/s
Tiraggio della canna fumaria, EN 13240	12 Pa
Pressione negativa raccomandata nello scarico fumi	12-15 Pa
Efficienza	82% @ 8,8 kW
Emissioni di CO (13% O ₂)	0,09 %
Emissioni di CO (13% O ₂)	1072 mg / Nm ³
NOx a (13% O ₂)	103 mg / Nm ³
Idrocarburi a (13 % O ₂)	51 mg C / Nm ³
Consumo dell'aria	5,5 liter/sek.
Temperatura della canna fumaria, EN 13240	251 °C
Polvere (13% O ₂)	11 mg/Nm ³ @13%O ₂
Consumo di combustibile	2,4 kg/h
Quantità max di fascine	5,2 kg
Quantità nominale di fascine	1,9 kg
Funzionamento	Intermittente*

*Per combustione intermittente, in questo contesto, si intende il normale utilizzo del camino, ossia con aggiunta di combustibile non appena da quello precedente si è formata una quantità adeguata di braci.

3.0 Sicurezza

Nota: per garantire prestazioni e sicurezza ottimali, le stufe Jøtul devono essere montate da un installatore qualificato.

Qualunque modifica al prodotto da parte del distributore, installatore o consumatore può comportare un funzionamento imprevisto del prodotto e delle funzionalità di sicurezza. Lo stesso si applica all'installazione di accessori o di extra opzionali non forniti da Jøtul. Ciò può riguardare anche componenti essenziali per il funzionamento e la sicurezza del caminetto eventualmente smontati o rimossi.

In tutti i casi citati, il produttore non potrà essere ritenuto responsabile o punibile per il prodotto, rendendo nullo e non valido ogni reclamo.

3.1 Misure di prevenzione antincendio

Ogni utilizzo del caminetto ha in sé un certo elemento di pericolo. Pertanto, è necessario seguire attentamente le seguenti istruzioni:

- Le distanze minime di sicurezza in caso di utilizzo del caminetto sono fornite nella **fig. 1**.
- Assicurarsi che gli arredi e altri materiali infiammabili non siano troppo vicini al caminetto. I materiali infiammabili non devono mai essere posizionati entro **1000 mm** dal caminetto.
- Attendere l'estinzione del fuoco. Non spegnere mai le fiamme con acqua.
- Il caminetto acceso diventa caldo e può causare bruciature se toccato.
- Rimuovere la cenere solo con il caminetto freddo. La cenere può contenere braci calde, pertanto deve essere collocata in un contenitore ignifugo.
- La cenere deve essere collocata all'esterno o svuotata in un luogo in cui non rappresenterà un pericolo potenziale di incendio.

In caso di incendio della canna fumaria

- Chiudere tutte le aperture e le prese d'aria.
- Tenere chiusa la porta del camino.
- Chiamare i vigili del fuoco.
- Prima di utilizzare di nuovo il camino e la canna fumaria dopo un incendio, è necessario che vengano controllati da un tecnico specializzato che ne assicuri l'integrità e il corretto funzionamento.

3.2 Pavimento

Basamento

È importante accertarsi che le dimensioni dei basamenti siano adatte al camino. Cf. «**2.0 Dati tecnici**» per le specifiche sul peso.

Durante l'installazione, si consiglia di rimuovere la pavimentazione non fissata al sottofondo (pavimento antivibrante).

Requisiti per la protezione del pavimento di legno

Il prodotto può essere posizionato direttamente su un pavimento in legno, protetto da una piastra a pavimento realizzata in materiale non combustibile (spessore raccomandato: minimo 0,9 mm)

Jøtul raccomanda di rimuovere eventuali materiali infiammabili come: linoleum, moquette, ecc. da sotto la pedana di protezione del pavimento.

Requisiti per la protezione dei pavimenti infiammabili davanti al camino

La piastra anteriore deve essere conforme alle leggi e alle norme nazionali.

Si noti che sul prodotto è presente uno sportello laterale. Contattare le autorità edili locali in relazione alle disposizioni e ai requisiti di installazione.

3.3 Pareti

- Posizionare il prodotto in modo tale che sia possibile pulire la stufa, il condotto di scarico fumi e il passaggio della canna fumaria.
- Assicurarsi che i mobili e gli altri elementi di arredo non sono così vicini alla stufa
- Assicurarsi che mobili e altri articoli di arredamento non siano tanto vicini da essere seccati dalla stufa.

Distanza da pareti di materiale infiammabile

- nella **fig. 1**

La stufa deve essere installata con un condotto di scarico fumi approvato CE.

È inoltre necessario tenere in considerazione la distanza dei condotti di scarico fumi dai materiali combustibili.

Parete combustibile protetto da muro tagliafuoco

Distanza minima dalla parete combustibile protetto da muro tagliafuoco. Vedere **fig. 1**.

È consentito l'utilizzo con condotti del fumo non isolanti con la distanza dalla parete di materiale infiammabile descritta nella **fig. 1**. Distanza da una parete in materiale infiammabile con condotto scarico fumi parzialmente isolato/rivestito, vedi **fig. 1**.

Requisiti del muro tagliafuoco

Il muro tagliafuoco deve avere uno spessore di almeno **100 mm** ed essere realizzato in blocchi di calcestruzzo a mattone o calcestruzzo leggero. È possibile utilizzare anche altri materiali e strutture provviste della necessaria documentazione.

Parete ignifuga (in forma integrale)

Il caminetto può essere installato con una distanza minima di **200 mm** dalla parete non combustibile ed una distanza da tutti i materiali combustibili è di almeno **500 mm**.

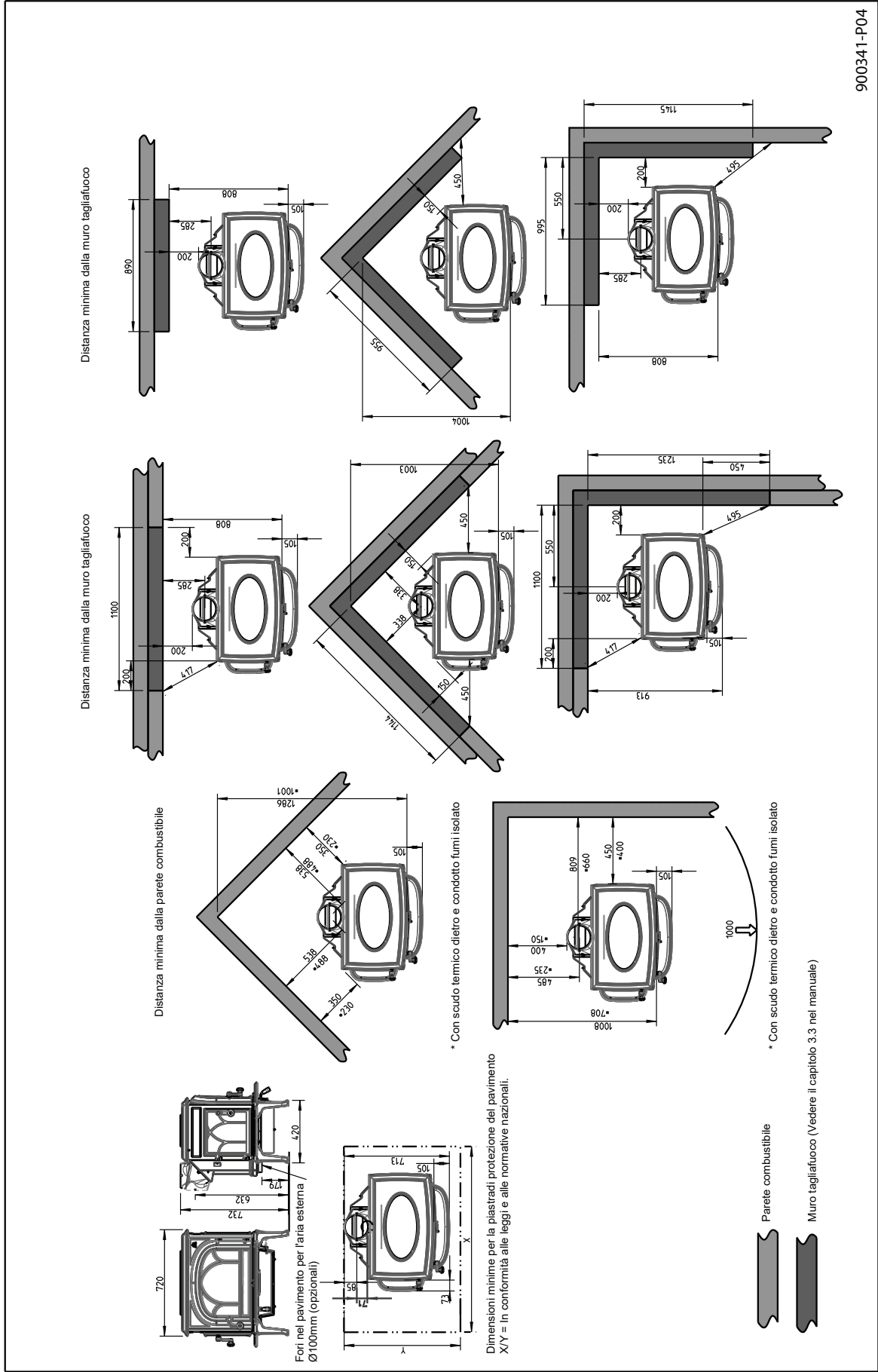
I materiali non combustibili sono materiali come mattoni, clinker, cemento, lana minerale, lastre di silicato ecc. (Materiali che non bruciano). Nota! Una breve distanza dalla parete non combustibile può portare all'essiccazione e allo scolorimento della vernice e causare crepe.

3.4 Soffitto

La distanza minima tra la stufa e il soffitto in materiale infiammabile deve essere almeno di **750 mm**.

Fig. 1

JØTUL F 500 ECO



4.0 Installazione

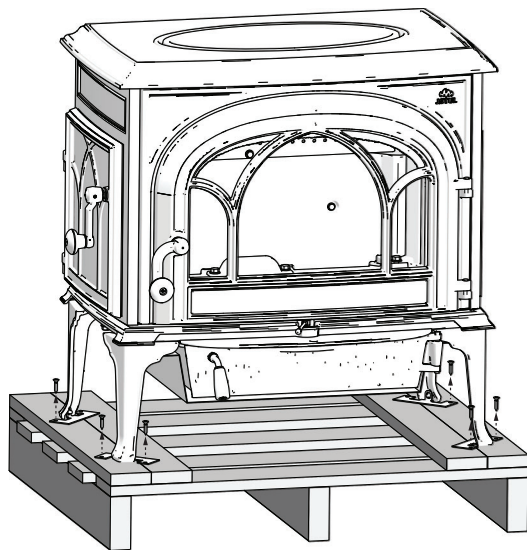
- Prima dell'installazione del camino, verificare attentamente l'assenza di eventuali segni di danneggiamento.
- Il prodotto è pesante! Chiedere aiuto a qualcuno in fase di posizionamento e installazione.
- **Assicurarsi che mobili e altri articoli domestici si trovino a distanza di sicurezza dal caminetto, per proteggerli dall'essiccazione.**

4.1 Prima dell'installazione

1. Il prodotto standard è contenuto in un'unica confezione.
2. Estrarre dalla stufa il sacchetto con le viti e il ceneraio.
3. Una volta disimballato il prodotto, liberarlo dal pallet.

Assicurarsi che sia tutto conforme.

Fig. 2 Liberare dal pallet



1. Rimuovere le 8 viti di trasporto.

4.2 Installazione

Fig. 3a Assemblare la maniglia del portello laterale - parti

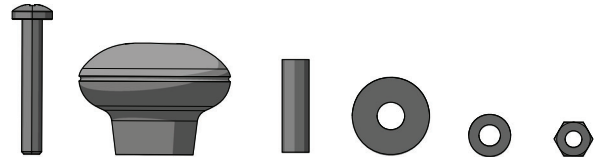
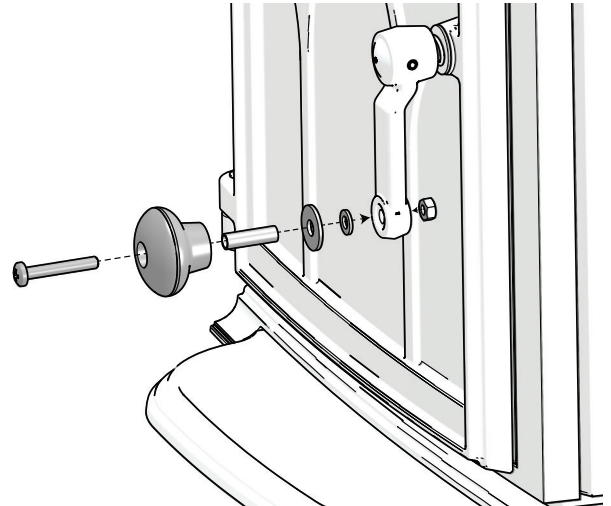


Fig. 3b Assemblare la maniglia del portello laterale



1. Montare il pomello in legno sulla maniglia del portello laterale. Le parti sono contenute nel sacchetto delle viti.

Fig. 4a Assemblare la maniglia del portello del ceneraio - parti

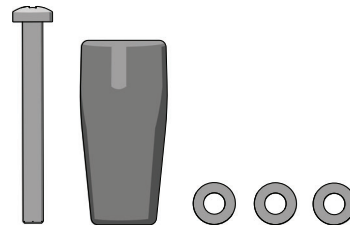
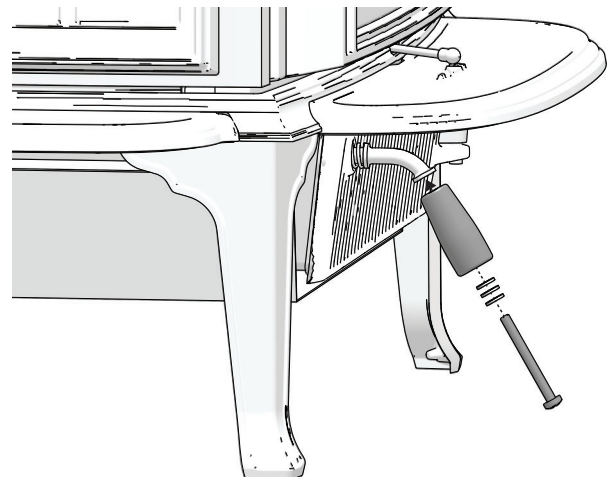


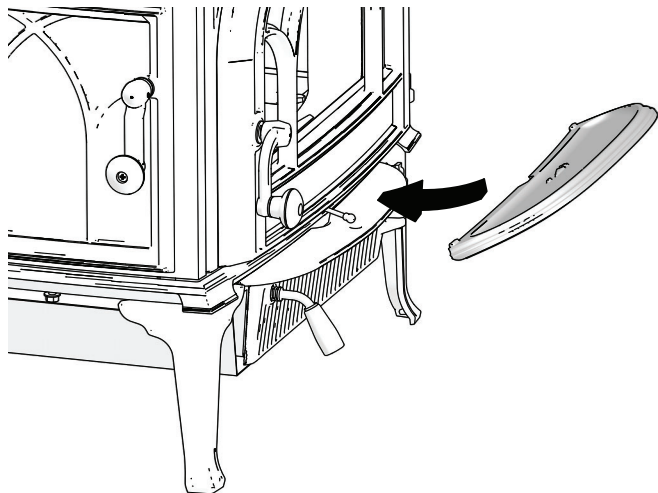
Fig. 4b Assemblare la maniglia del portello del ceneraio



1. Montare il pomello in legno sulla maniglia del portello del ceneraio. Le parti sono contenute nel sacchetto delle viti.53

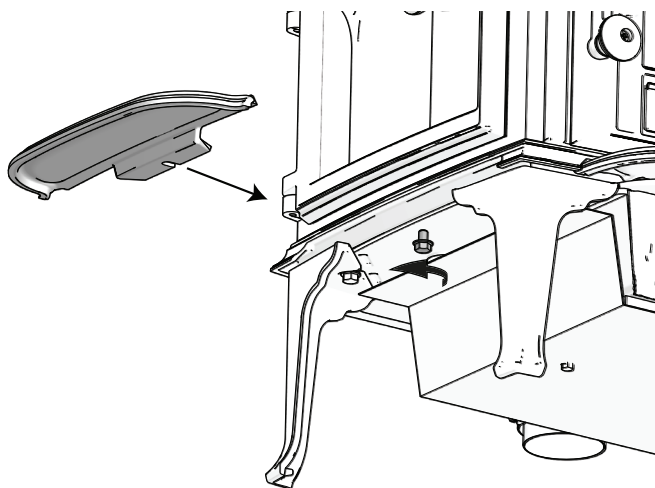
ITALIANO

Fig. 5 Montare il ceneraio frontale



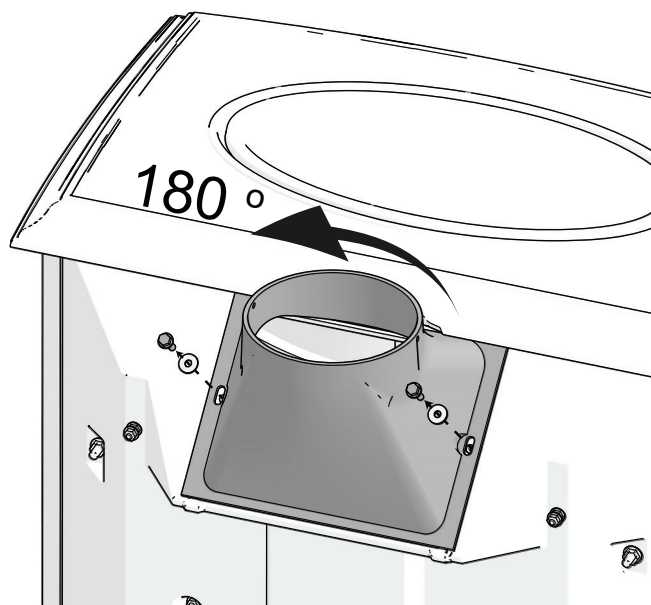
1. Il ceneraio va montato sul davanti della stufa.

Fig. 6 Montare il ceneraio laterale



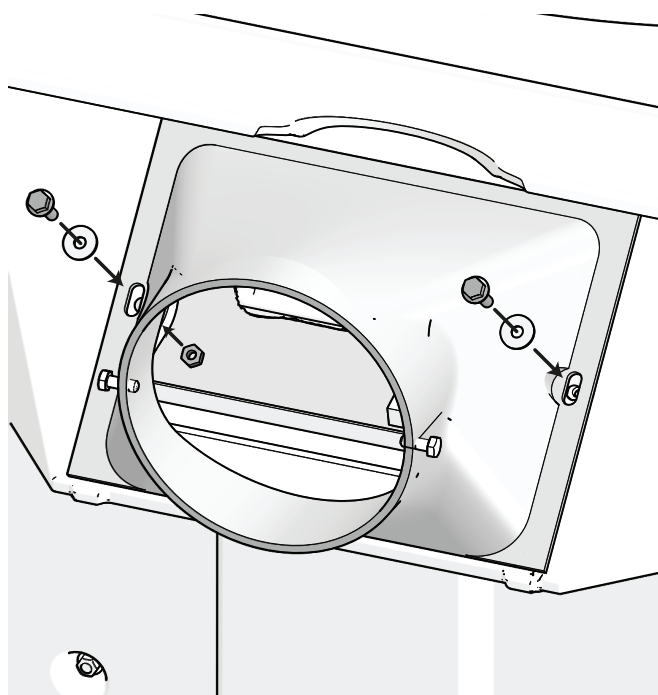
1. Il ceneraio laterale va montato sotto il portello laterale. Serrare la vite sul fondo per fissare il ceneraio.

Fig. 7a Passare da scarico superiore a scarico posteriore



1. Svitare le 2 viti con dado sul retro.
2. Ruotare lo scarico fumi di 180 gradi.

Fig. 7b

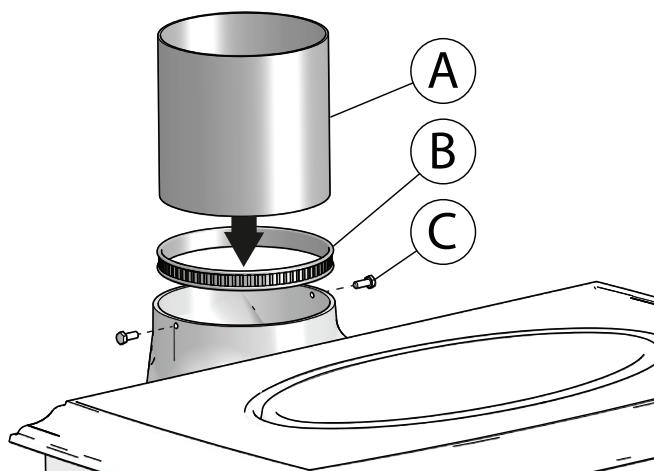


3. Fissare lo scarico fumi con le stesse viti smontate alla **fig. 7a**.

Montare il condotto di scarico fumi

Il prodotto è montato di fabbrica per uno scarico superiore.

Fig. 8 Assemblare il condotto



1. Marcare sul condotto di scarico fumi (A) dove toccano le viti quando il condotto tocca il fondo dello scarico fumi e praticare un foro da 7 mm nel condotto per alloggiare le viti (C).
2. Rimuovere la carta protettiva dalla guarnizione in dotazione (B) e montarla sul bordo esterno del condotto di scarico fumi.
3. Inserire il condotto nello scarico fumi e fissarlo con le due viti (C) in dotazione nel sacchetto delle viti.

Il condotto di scarico fumi viene installato allo stesso modo per lo scarico superiore e posteriore.

4.3 Montaggio con alimentazione dell'aria esterna (accessorio opzionale)

Circolazione dell'aria fresca

L'aria utilizzata per la combustione in qualsiasi abitazione ben isolata deve essere sostituita. Ciò è particolarmente importante nelle abitazioni con ventilazione meccanica. È possibile procurare tale aria sostitutiva in vari modi. L'aspetto più importante è fornire l'aria nell'ambiente in cui è situata la stufa. Posizionare la valvola della parete esterna più vicino possibile alla stufa e assicurarsi che possa essere chiusa quando la stufa non è in uso.

Per il collegamento della circolazione dell'aria fresca, attenersi ai regolamenti edilizi nazionali e locali.

Verificare che le prese d'aria presenti nel locale in cui si trova la camino non siano ostruite.

Sistema di combustione chiuso

Utilizzare il sistema di combustione chiuso della stufa se l'abitazione è a tenuta d'aria e di recente costruzione. Collegare l'aria di combustione esterna attraverso un condotto di ventilazione attraverso la parete o il pavimento.

Circolazione dell'aria

Il quantitativo di aria di combustione per i prodotti Jøtul è di circa 20-40 m³/h.

Il condotto per l'aria esterna può essere inserito direttamente in Jøtul F 500 ECO Series attraverso:

- il fondo
- attraverso un tubo flessibile di circolazione dell'aria dall'esterno/dalla canna fumaria (solo se la canna fumaria presenta un proprio condotto per l'aria esterna) diretto al connettore dell'aria esterna del prodotto.

Fig. 9a Attraverso una parete esterna

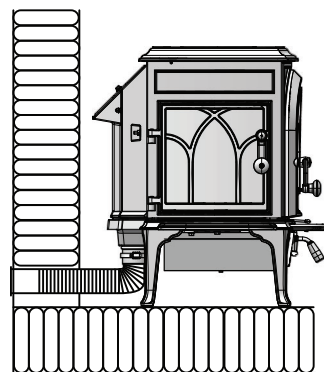


Fig. 9b Attraverso il pavimento e la piastra di terra

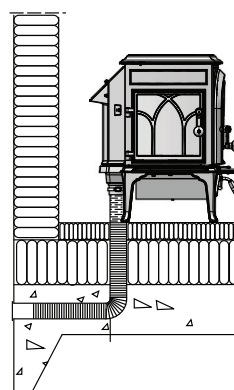


Fig. 9c Attraverso il pavimento e il basamento

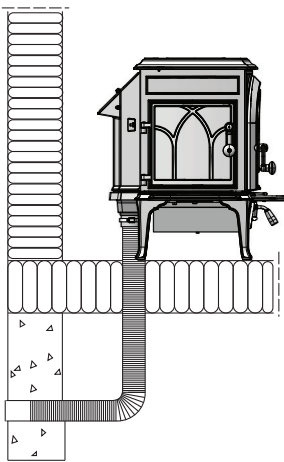


Fig. 9d Indirettamente attraverso una parete esterna

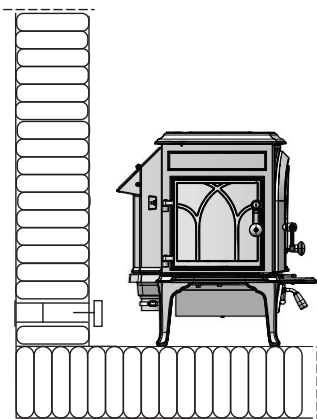
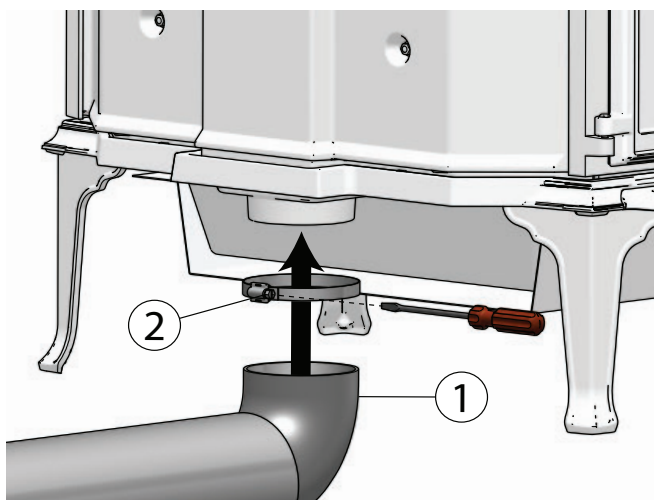


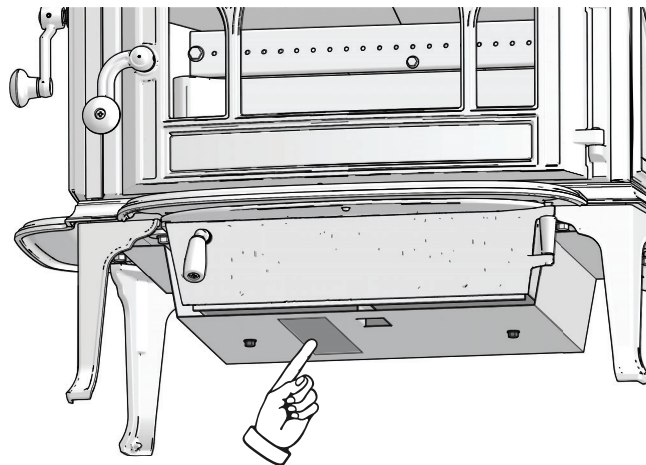
Fig. 10 Montare il collegamento di alimentazione dell'aria esterna



1. Montare il collegamento di alimentazione dell'aria esterna con la fascetta sul lato esterno del foro di alimentazione.
2. Serrare con il cacciavite.

4.4 Posizione dell'etichetta di conformità

Fig. 11 Etichetta di conformità



1. L'etichetta di conformità si trova sul fondo della stufa.

4.5 Canna fumaria e condotto

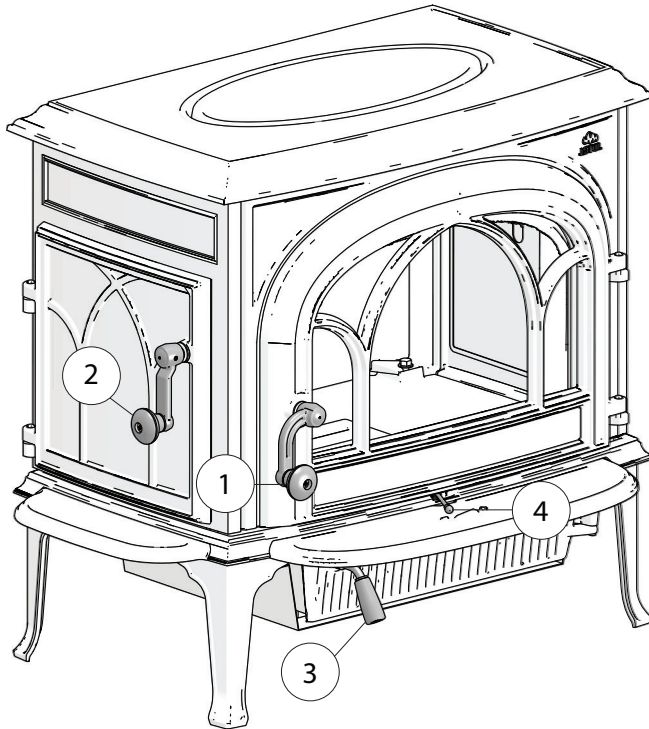
- Il caminetto deve essere collegato solo a una canna fumaria e a un condotto approvati per caminetti a combustibile solido; le temperature dei gas prodotti dal fumo sono indicate nel capitolo "2.0 Dati tecnici".
- Per le dimensioni del condotto con la sezione trasversale rilevante, consultare il capitolo "2.0 Dati tecnici".
- Il collegamento della canna fumaria deve essere realizzato in conformità alle istruzioni di installazione fornite dal produttore della stessa.
- Prima di praticare un foro nella canna fumaria, montare e posizionare provvisoriamente il prodotto, in modo da individuare la corretta posizione del caminetto e del foro sulla canna fumaria. Vedere la Fig. 1 per le dimensioni minime.
- Assicurarsi che sia possibile spazzare vicino allo scarico posteriore e allo scarico superiore. Se necessario, utilizzare un condotto di scarico fumi dotato di un portello.
- Le curve inserite per l'evacuazione fumi o qualsiasi cambio di direzione influenza/riduce il tiraggio. Questo effetto si ha anche quando si utilizzano tratti orizzontali con pendenze ridotte. È estremamente importante che i collegamenti abbiano una certa flessibilità, questo per impedire ogni movimento in fase di installazione tale da causare la formazione di crepe.
- Per il tiraggio raccomandato della canna fumaria, consultare il capitolo "2.0 Dati tecnici".

Nota: la lunghezza minima raccomandata della canna fumaria è 4 m dall'inserimento del condotto. Se il tiraggio risulta eccessivo, installare una valvola di regolazione del tiraggio. Se è installata una valvola fumi, questa non deve bloccare completamente la canna fumaria (rifarsi alla normativa nazionale) La valvola deve essere facile da usare ed avere un'apertura come minimo di 20 cm² o il 3% della sezione. La posizione della valvola deve essere riconoscibile dall'impostazione dell'impianto. Se è montato un regolatore di tiraggio, valutare se la valvola è necessaria e la sezione minima non è più applicabile, ma il dispositivo deve essere facilmente accessibile per la pulizia.

4.6 Controllo delle prestazioni

Una volta assemblato il prodotto, controllare sempre le manopole di comando. Queste devono muoversi facilmente e funzionare in modo soddisfacente.

Fig. 12 Jøtul F 500 ECO è dotato delle seguenti opzioni di funzionamento:



1. Maniglia della porta frontale. Per aprire la porta, sollevare la maniglia (in senso orario) e tirare verso di sé.
2. Maniglia del portello laterale. Per aprire la porta, sollevare la maniglia (in senso orario) e tirare verso di sé.
3. Maniglia del portello del ceneraio. Per aprire la porta, sollevare la maniglia (in senso antiorario) e tirare verso di sé.
4. Valvola della presa d'aria e di accensione. Si regola in direzione orizzontale (vedere fig. 13).

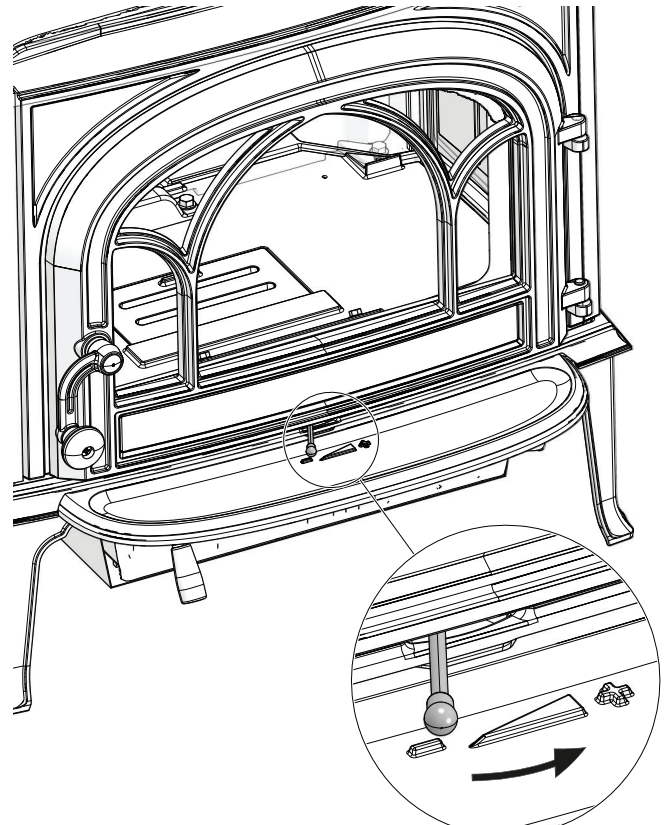
5.0 Utilizzo giornaliero

5.1 Odori al primo utilizzo del caminetto

Quando il caminetto viene utilizzato per la prima volta, può emettere un gas irritante dal lieve odore. Ciò si verifica perché la vernice si secca. Il gas non è tossico, tuttavia il locale deve essere ventilato approfonditamente. Lasciare bruciare il fuoco con un tiraggio elevato, fino a far scomparire ogni traccia di gas, fumo e odore.

5.2 Regolazione della valvola

Fig. 13



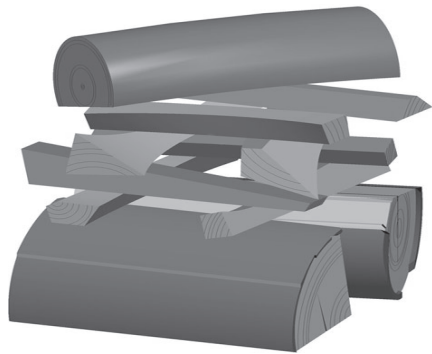
Tutta a destra: **Aperta** (utilizzata durante l'accensione).

Spostata a sinistra: **Chiusa**.

5.3 Accensione iniziale

- Aprire la valvola spostandola tutta a destra. Se necessario, tenere leggermente aperta la porta. (quando la maniglia è calda è opportuno utilizzare un guanto).
- Collocare due ceppi di medie dimensioni su ciascun lato della base (fig. 14). N.B. Al fine di evitare che il vetro si copra di fuliggine, è importante che i ciocchi non vengano sistemati in prossimità del vetro sul prodotto.
- Sistemare tra la legna dei fogli di giornale appallottolati oppure dei trucioli, aggiungervi alcune fascine disposte a incrocio e accendere i fogli di giornale.
- Aumentare gradualmente le dimensioni dei ceppi di legno.
- Infine, posiziona un tronco di media grandezza in cima alla pila.
- Regolare la presa d'aria superiore in modo da ottenere il tasso di combustione per il livello di riscaldamento desiderato (A).
- Chiudere la porta della stufa. Deve sempre essere chiusa quando si accende il fuoco.

Fig. 14



5.4 Aggiunta della legna

Alimentare frequentemente la stufa, aggiungendo solo piccoli quantitativi di combustibile alla volta. Se la stufa è troppo piena, il calore creato potrebbe causare sollecitazioni estreme della canna fumaria. Aggiungere con moderazione il combustibile al fuoco. Evitare i fuochi che bruciano senza fiamme, dato che ciò produrrà il massimo inquinamento. Un fuoco ottimale si ottiene con una buona bruciatura e un fumo in uscita dalla canna fumaria quasi invisibile.

5.5 Consiglio per l'alimentazione della stufa

Nota: i ceppi conservati all'aperto o in un locale freddo devono essere collocati all'interno 24 ore prima dell'uso, al fine di portarli alla temperatura ambiente.

Ci sono vari modi per alimentare la stufa, tuttavia è sempre importante prestare attenzione a ciò che viene collocato nella stufa. Consultare la sezione **"Qualità della legna"**.

La bruciatura con una scarsa circolazione dell'aria può causare una combustione insufficiente, una ridotta efficienza energetica e una maggiore emissione di particelle, nerofumo e altri composti nocivi alla salute e all'ambiente..

Qualità della legna

Per "legna di qualità" si intendono tipi di legna generalmente conosciuti come la betulla, l'abete e il pino.

I ceppi devono essere asciugati, in modo che il contenuto di umidità non sia superiore al 20%.

A tal fine, si consiglia di tagliare i ceppi alla fine dell'inverno. Tagliarli e impilarli in modo da garantire una buona ventilazione. Le pile di legna devono essere coperte per proteggere i ceppi dalla pioggia. Portare i ceppi all'interno all'inizio dell'autunno e impilarli/conservarli per utilizzarli in inverno.

Prestare particolare attenzione a non utilizzare mai i seguenti materiali come combustibile per il caminetto:

- Rifiuti domestici, buste di plastica, ecc.
 - Legname verniciato o impregnato (in quanto estremamente tossico).
 - Assi di legno laminato.
 - Cumuli di legname trasportato dalla corrente
- Possono danneggiare il prodotto e sono anche inquinanti.

NB: Non usare mai benzina, paraffina, alcool metilico o liquidi simili per accendere il fuoco. Si potrebbero causare gravi lesioni a se stessi e danni al prodotto

5.6 Consumo di legna

Jøtul F 500 ECO ha una portata termica nominale di ca. **8,8 kW**. Uso di legna con una produzione nominale di calore: Circa **2,4 kg/h**. Le dimensioni dei ciocchi devono essere pari a:

Fascine:

Lunghezza: 30-55 cm

Diametro: 5 cm

Quantità per un'accensione: 5-8 pezzi

Legna da ardere (spaccata):

Lunghezza: 35 cm

Diametro: circa 8-13 cm

Intervalli di aggiunta della legna: circa ogni 48 minuti

Aumento della fiamma: 1,97 kg

Quantità per carica: 3 pezzi

I risultati dei test dati sono stati ottenuti caricando 3 ciocchi di legna di 35 cm, peso totale di 1,97 kg. I ciocchi sono disposti trasversalmente. Valvola regolata per circa il 40% d'aria.

5.7 Pericolo di surriscaldamento

Il caminetto non deve mai essere utilizzato in modo tale da causare surriscaldamento

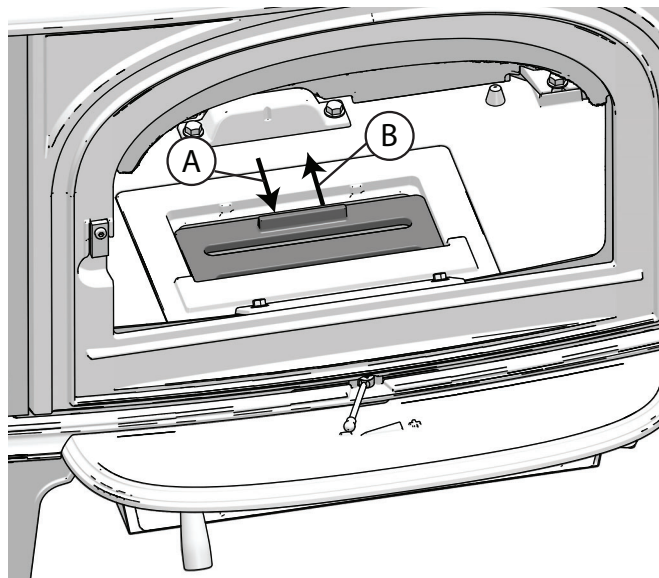
Il surriscaldamento si verifica in presenza di un eccesso di combustibile e/o di aria, causando un calore eccessivo. Un segno evidente di surriscaldamento è la presenza di un bagliore rosso in alcune parti del caminetto. Se ciò dovesse accadere, ridurre immediatamente l'apertura della presa d'aria.

Consultare un professionista se si sospetta che la canna fumaria non presenti un tiraggio corretto (tiraggio eccessivo o scarso). Per ulteriori informazioni, consultare il capitolo "4.0 Installazione" (Canna fumaria e condotto).

5.8 Rimozione della cenere

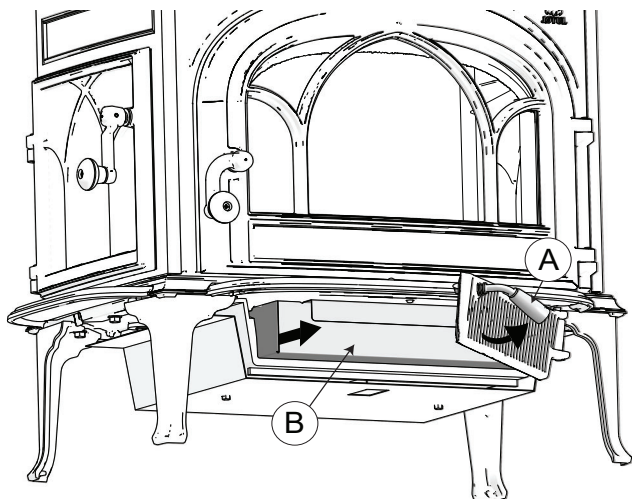
- Rimuovere la cenere solo con il caminetto freddo.
- Utilizzare un badile per raschiare via la cenere.
- La cenere deve essere posta fuori in un contenitore di metallo.

Fig. 15 Grata per la cenere



1. La grata per la cenere si apre (A) tirandola verso la porta, utilizzando un attrezzo idoneo.
2. Le ceneri cadono attraverso la grata.
3. Chiudere la grata per la cenere dopo la pulizia (B). La grata deve essere chiusa durante il funzionamento della stufa, per garantire una combustione ottimale.

Fig. 16 Cassetto ceneraio



4. Aprire il portello del ceneraio con la maniglia (A). Rimuovere il cassetto ceneraio (B) e svuotare le ceneri in un contenitore adatto, quindi rimettere in posizione il cassetto.

5.9 Come vento e agenti atmosferici influiscono sulla stufa

Le performance della stufa possono essere influenzate notevolmente dal vento che agisce sul camino con una forza diversa. Pertanto può essere necessario regolare l'alimentazione dell'aria per garantire buone performance di combustione. Inoltre può essere utile montare una valvola di tiraggio nel tubo di scarico, in modo da regolare il tiraggio del camino in base alla forza del vento.

Nebbia e foschia possono avere un impatto significativo sul tiraggio del camino e può essere necessario utilizzare impostazioni dell'aria di combustione per garantire buone performance.

5.10 Condensa

Può capitare di riscontrare fenomeni di condensa nella camera di combustione / tubi / canna fumaria. Questo dipende dall'umidità della legna o da differenze di temperature nella camera di combustione o nell'ambiente.

La condensa nella camera di combustione appare come un liquido nero. Questa deve essere rimossa per evitare danni alla colorazione del prodotto, del pavimento o del rivestimento. Per questo è importante una fase di accensione veloce che limiti la produzione di condensa.

Se l'afflusso di condensa continua si può usare della sabbia minerale sul fondo della camera di combustione.

5.11 Canna fumaria

La canna fumaria è il motore che aziona il camino ed è essenziale possedere una buona canna fumaria perché il focolare funzioni correttamente.

Il tiraggio nella canna fumaria crea un vuoto nella stufa. Tale vuoto estrae il fumo dalla stufa e aspira aria attraverso il parafiamma dell'aria di combustione per alimentare il processo di combustione.

L'aria di combustione viene anche utilizzata per il sistema di lavaggio ad aria che mantiene pulita la finestra dalla fuliggine.

Il tiraggio nella canna fumaria è causato dalla differenza di temperatura all'interno e all'esterno della canna fumaria. Maggiore è la differenza di temperatura, migliore sarà il tiraggio nella canna fumaria. Pertanto è importante consentire alla canna fumaria di raggiungere la temperatura operativa prima di regolare le prese d'aria per limitare la combustione nella stufa (una canna fumaria in muratura richiede più tempo per raggiungere la temperatura operativa rispetto ad una canna fumaria in acciaio).

È particolarmente importante raggiungere la temperatura operativa il più rapidamente possibile nei giorni in cui il tiraggio della canna fumaria non è ideale a causa di condizioni di vento e clima sfavorevoli. Assicurarsi che il combustibile si accenda il più rapidamente possibile. Suggerimento pratico: Tagliare la legna in pezzi molto più piccoli e utilizzare un'esca per il fuoco aggiuntiva.

Nota: Se la stufa non è stata utilizzata per diverso tempo, è importante verificare l'assenza di eventuali ostruzioni nel tubo della canna fumaria.

6.0 Manutenzione

6.1 Pulizia del vetro

Il prodotto dispone del sistema di pulizia ad aria del vetro. Attraverso la presa d'aria, l'aria viene risucchiata nella parte superiore del camino e spinta verso il basso lungo la parte interna del vetro.

Sarà comunque inevitabile l'accumulo di un po' fuliggine sul vetro, la cui quantità dipenderà dalle condizioni di tiraggio locale e dalla regolazione della presa d'aria. La maggior parte della fuliggine verrà normalmente bruciata quando si apre completamente la presa d'aria mentre il fuoco brucia vivacemente nel camino.

Suggerimento utile! Per la pulizia generale, utilizzare carta da cucina inumidita con acqua calda e aggiungere della cenere presa dalla camera di combustione. Pulire il vetro con la carta, quindi risciacquarlo con acqua pulita e asciugarlo completamente. Se fosse necessario pulire il vetro più a fondo, utilizzare un detergente per vetri (seguire le istruzioni riportate sul flacone).

6.2 Pulizia e rimozione della fuliggine

I depositi di fuliggine possono accumularsi sulle superfici interne del caminetto durante l'uso. La fuliggine è un buon isolante, pertanto riduce la potenza termica del caminetto. Se si accumulano depositi di fuliggine durante l'utilizzo del prodotto, per rimuoverli è sufficiente utilizzare un detergente specifico.

Al fine di impedire la formazione di acqua e di uno strato di pece liquida nel caminetto, consentire regolarmente la presenza di fiamme particolarmente calde per rimuovere lo strato. È richiesta una pulizia interna annuale per ottenere i migliori risultati termici dal prodotto. Si consiglia di effettuarla insieme alla pulizia della canna fumaria e dei condotti.

6.3 Pulizia dei condotti alla canna fumaria

I condotti devono essere spazzati attraverso l'apposito portello o l'apertura della porta. In genere, occorrerà rimuovere il parafiamma.

6.4 Ispezione del caminetto

Jøtul raccomanda di ispezionare attentamente il proprio caminetto dopo averlo spazzato e pulito. Controllare tutte le superfici visibili per individuare eventuali crepe. Controllare anche che tutti i giunti siano sigillati e che tutte le guarnizioni siano nelle posizioni corrette. Qualsiasi guarnizione che mostri segni di usura o deformazione deve essere sostituita.

Pulire accuratamente le scanalature delle guarnizioni, applicare della colla per ceramica (disponibile presso il proprio rivenditore Jøtul locale) e premere la guarnizione in posizione. Il giunto si asciugherà rapidamente.

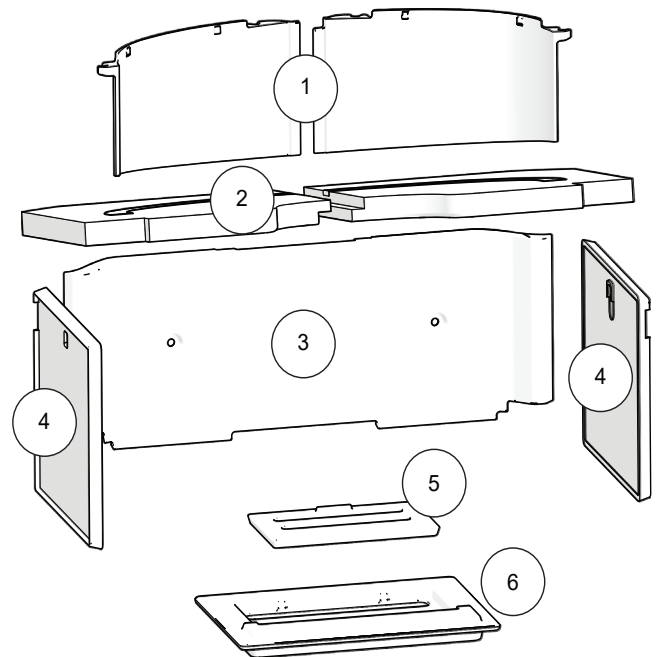
6.5 Manutenzione esterna

Il colore dei prodotti verniciati può alterarsi dopo svariati anni di utilizzo. La superficie deve essere pulita e spazzolata in modo da rimuovere ogni residuo prima di applicare la nuova vernice.

7.0 Assistenza

È vietata ogni modifica non autorizzata al prodotto. Utilizzare solo ricambi originali.

Fig. 17

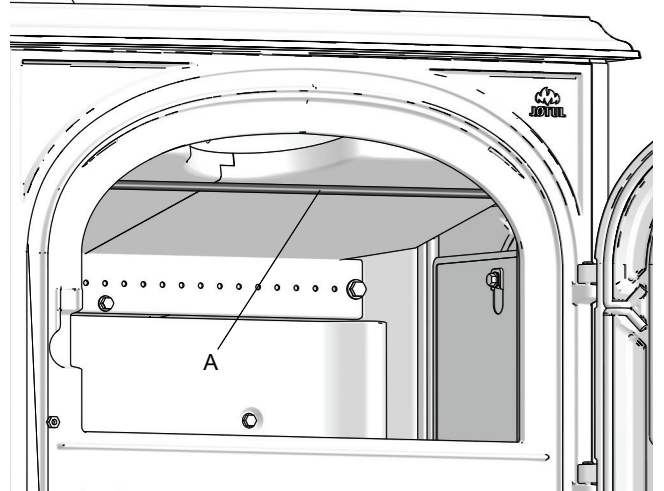


1. Deflettore dei fumi (2 pezzi)
2. Piastra del parafiamma (2 pezzi)
3. Piastre refrattarie posteriori
4. Piastre refrattarie laterali (2 pezzi)
5. Grata della cenere
6. Supporto per la grata della cenere

7.1 Sostituire la piastra del parafiamma

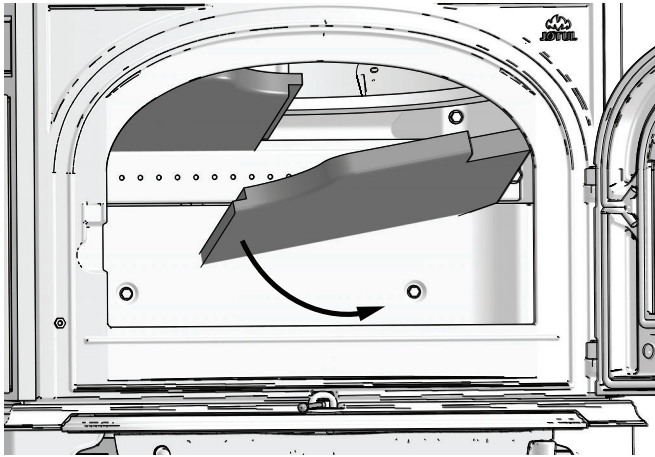
Utilizzare gli utensili con grande attenzione.

Fig. 18a Liberare le piastre del parafiamma



1. Sollevare la barra di supporto (A) che sostiene la piastra del parafiamma e tirarla verso di sé, quindi inclinarla ed estrarla dalla stufa. **NOTA:** Ora le due piastre del parafiamma sono libere e devono essere sostenute per non cadere.

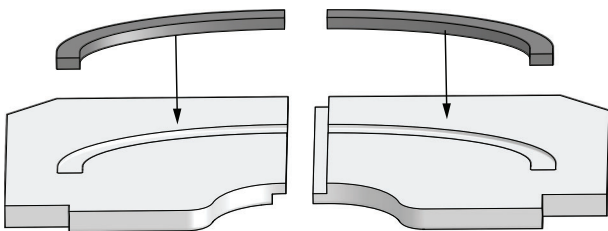
Fig. 18b Rimuovere le piastre del parafiamma



2. Le piastre del parafiamma sono libere e possono essere estratte dalla stufa. **NOTA:** Estrarre prima la piastra di destra, poi quella di sinistra.

Per reinserire i componenti estratti, seguire la stessa procedura in ordine inverso (vedere prima la fig. 18c).

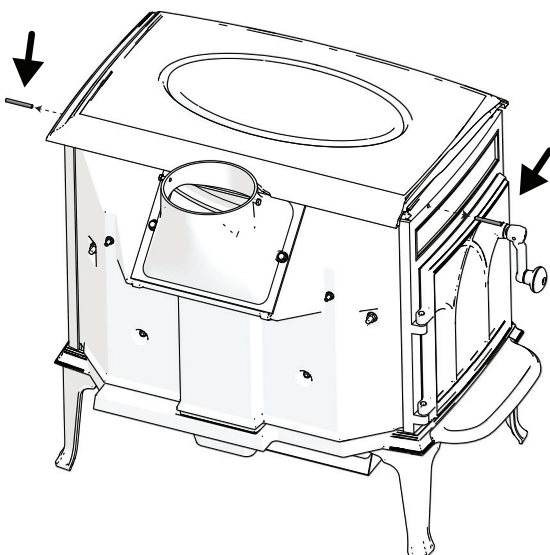
Fig. 18c Sostituire la guarnizione della piastra del parafiamma



3. Quando si sostituisce la piastra del parafiamma, è necessario sostituire anche la guarnizione sul deflettore dei fumi. Per farlo, montare le guarnizioni in dotazione nelle scanalature presenti sopra la piastra del parafiamma.

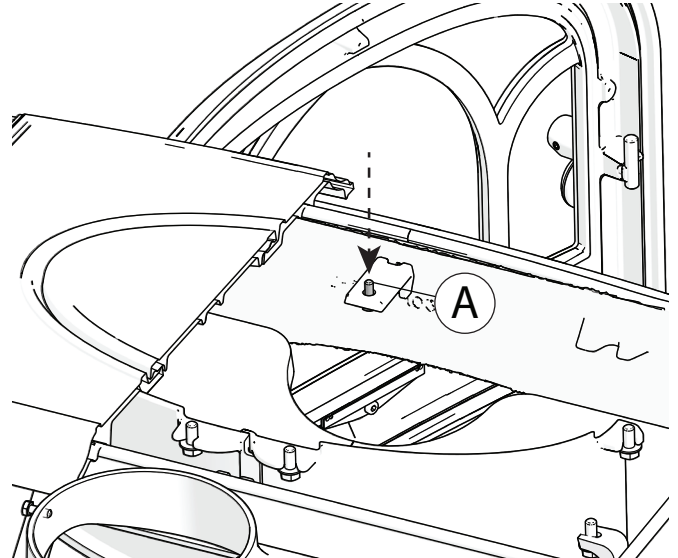
7.2 Sostituire il deflettore dei fumi

Fig. 19a Sostituire il deflettore dei fumi



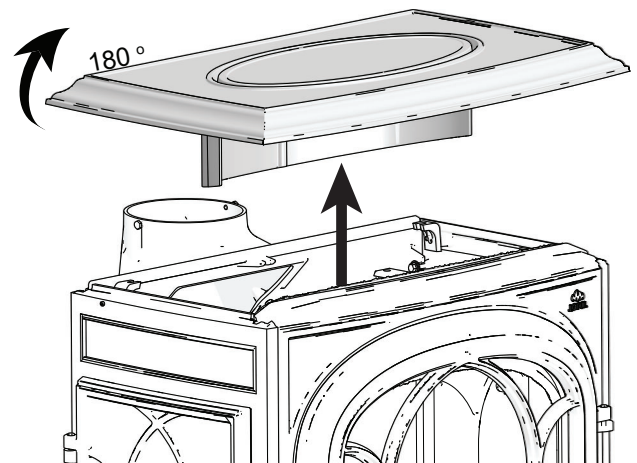
1. Svitare le 2 viti su ciascun lato della stufa.

Fig. 19b Sostituire il deflettore dei fumi



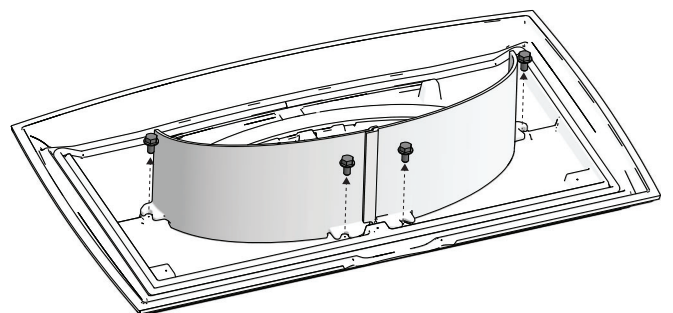
2. Allentare la vite (A) che fissa la piastra superiore. Ciò deve essere fatto dall'interno della camera di combustione.

Fig. 19c Sostituire il deflettore dei fumi



3. Sollevare la piastra superiore, ruotarla di 180 gradi e appoggiarla su una superficie piana. **NOTA:** È importante che la superficie di appoggio sia morbida, così da non graffiare o danneggiare la piastra.

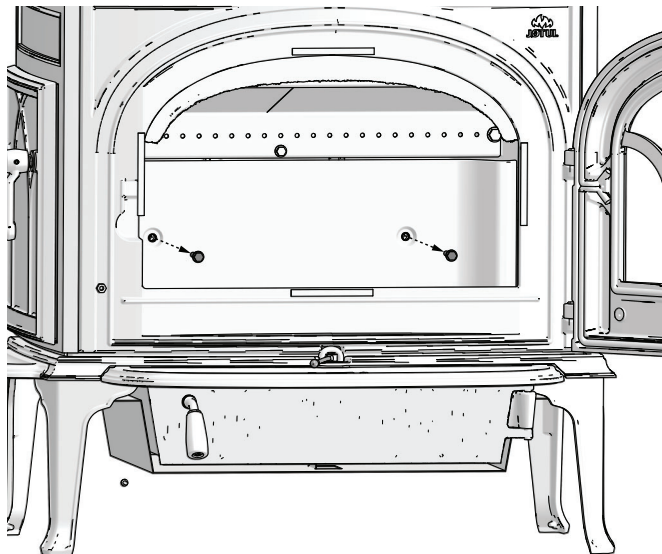
Fig. 19d Sostituire il deflettore dei fumi



4. Allentare le 4 viti che fissano il deflettore dei fumi alla piastra superiore.
5. Per rimontarlo, seguire la stessa procedura in ordine inverso.

7.3 Sostituire le piastre refrattarie

Fig. 20a Sostituire la piastra refrattaria posteriore



1. Liberare la piastra refrattaria posteriore svitando le viti, come mostrato in figura. Le viti sono continue con dado sul retro della stufa (vedere **fig.20b**)

Fig. 20b

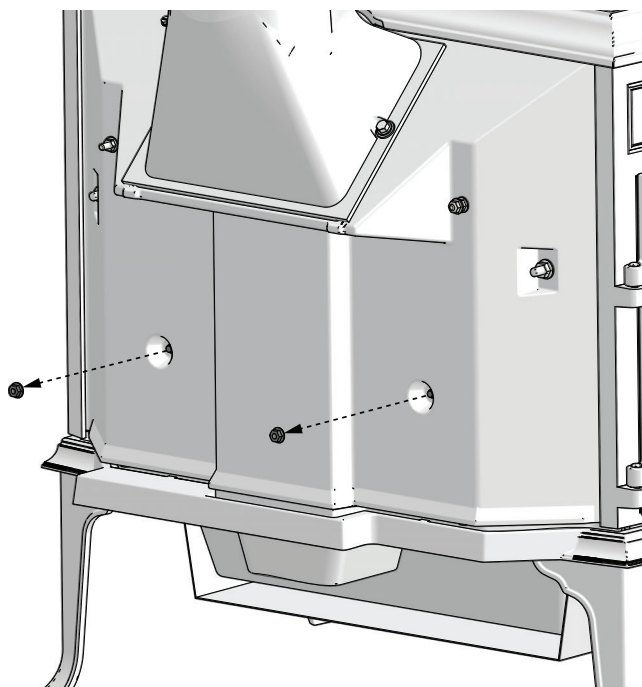
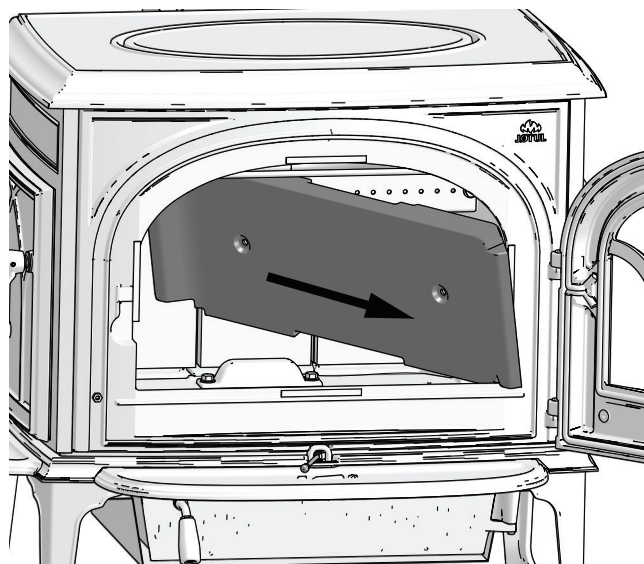
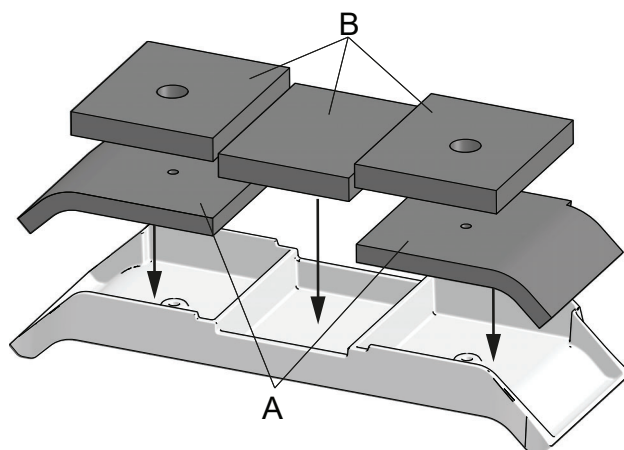


Fig. 20c



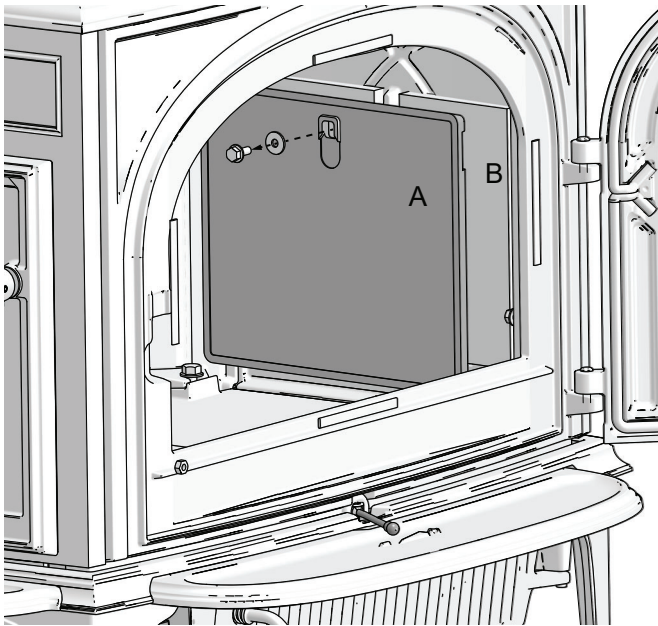
2. Inclinare la piastra refrattaria posteriore ed estrarla dalla stufa.
3. Per reinserire i componenti estratti, seguire la stessa procedura in ordine inverso (vedere prima la **fig. 21**, pannelli isolanti)

Fig. 21 Sostituire i pannelli isolanti



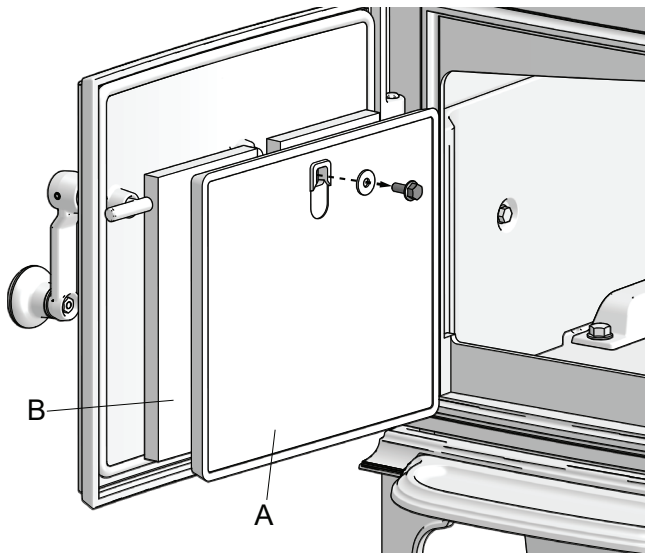
4. Dietro la piastra refrattaria posteriore si trovano 5 pannelli isolanti. Questi devono essere rimpiazzati quando si sostituisce la piastra refrattaria posteriore. Appoggiare la nuova piastra refrattaria posteriore su una superficie adeguata, e montare i pannelli isolanti come indicato in figura. **NOTA:** È importante che i pannelli isolanti siano collocati come mostrato in figura, poiché hanno spessori differenti. Pannello isolante A = spessore 19 mm (2 pezzi), B = spessore 25 mm (3 pezzi).

Fig. 22 Sostituire la piastra refrattaria laterale (destra)



1. Allentare la vite e la rondella che fissano la piastra refrattaria laterale (A) e il pannello isolante (B).
2. Inclinare la piastra refrattaria laterale e il pannello isolante ed estrarli dalla stufa.
3. Per rimontarli, seguire la stessa procedura in ordine inverso.

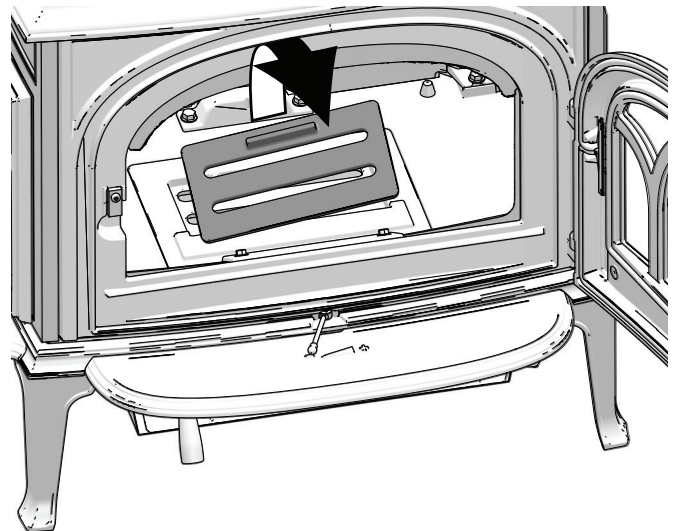
Fig. 23 Sostituire la piastra refrattaria laterale sul portello laterale



1. Aprire il portello laterale.
2. Allentare la vite e la rondella che fissano la piastra refrattaria (A) e il pannello isolante (B).
3. Rimuovere la piastra refrattaria e il pannello isolante dal portello.
4. Per rimontarli, seguire la stessa procedura in ordine inverso.

7.4 Sostituire la grata della cenere

Fig. 24 Sostituire la grata della cenere



1. Inclinare la grata della cenere, che si trova appoggiata sulla piastra di fondo della stufa.

8.0 Risoluzione dei problemi

Scarso tiraggio

Verificare la lunghezza della canna fumaria e la conformità alle norme nazionali (per informazioni, vedere anche le sezioni «2.0 Dati tecnici» e «4.0 Installazione» (Canna fumaria e condotto) nel manuale di installazione).

Accertarsi che la sezione trasversale minima della canna fumaria sia conforme a quanto riportato nella sezione «2.0 Dati tecnici» del manuale di installazione.

Verificare che non ci sia nulla che impedisca il deflusso del fumo: rami, alberi e così via.

Se si sospetta un tiraggio eccessivo o insufficiente della canna fumaria, rivolgersi a un tecnico specializzato per la misurazione e la regolazione.

Il camino e spegnimento del fuoco

- Accertarsi che la legna sia sufficientemente secca.
- Verificare che ci sia una pressione negativa nella stanza, spegnere le ventole meccaniche e aprire una finestra nelle vicinanze del camino.
- Controllare che la presa d'aria sia aperta.
- Controllare che il condotto di scarico dei fumi non sia intasato dalla fuliggine.

Accumulo anomalo di fuliggine sul vetro

È inevitabile che si accumuli della fuliggine sul vetro, ma la sua quantità dipende da:

- Umidità del combustibile.
- Condizioni di tiraggio del locale.
- Apertura della presa d'aria.

Gran parte della fuliggine viene normalmente bruciata quando la presa d'aria è completamente aperta e il fuoco arde vivacemente nel camino.

9.0 Accessori opzionali

9.1 Scudo termico posteriore

codice art 50012977

9.2 Kit di alimentazione dell'aria esterna Ø 100

codice art 51012164

9.3 Copertura superiore in pietra ollare

codice art 50012992

10.0 Riciclaggio

10.1 Riciclaggio dell'imballo

Ogni caminetto viene fornito all'interno del seguente imballo:

- Un pallet di legno che può essere tagliato e bruciato nel caminetto.
- Un imballo in cartone riciclabile da consegnare alle strutture di riciclaggio locali.
- Buste in plastica riciclabili da consegnare alle strutture di riciclaggio locali.

10.2 Riciclaggio del caminetto

Il caminetto è composto dai seguenti materiali:

- Metallo riciclabile da consegnare alle strutture di riciclaggio locali.
- Vetro da smaltire come rifiuto pericoloso. Il vetro contenuto nel caminetto non deve essere collocato in un normale contenitore per rifiuti domestici.
- Piastre refrattarie in vermiculite da smaltire nei normali contenitori per rifiuti domestici.

11.0 Termini della garanzia

1. La nostra garanzia copre:

JøtulAS garantisce che i componenti esterni in ghisa sono esenti da difetti di materiali o lavorazione al momento dell'acquisto. È possibile estendere la garanzia per i componenti esterni in ghisa fino a 25 anni dalla data di consegna registrando il prodotto sul sito jotul.com e stampando la scheda di garanzia estesa entro tre mesi dall'acquisto. Consigliamo di conservare la scheda della garanzia assieme allo scontrino. Jøtul AS garantisce inoltre che i componenti delle piastre in acciaio sono esenti da difetti di materiali o lavorazione al momento dell'acquisto per un periodo di 5 anni dalla data di consegna.

La garanzia è valida a condizione che la stufa sia stata installata da un installatore qualificato conformemente con le leggi e normative applicabili e con le istruzioni di installazione e operative di Jøtul. I prodotti riparati e gli articoli sostitutivi sono garantiti per il periodo originale della garanzia.

2. La garanzia non copre:

- 2.1. Danni ai consumabili come le piastre refrattarie, le grate del fuoco, i parafiamma, le guarnizioni ed elementi simili, essendo soggetti a deterioramento nel tempo a causa della normale usura
- 2.2. Danni causati da manutenzione impropria, surriscaldamento, uso di combustibile non idoneo (esempi di combustibili non idonei sono, senza limitazione, cumuli di legname trasportato dalla corrente, legna impregnata, ritagli di assi, truciolato) o legna troppo umida/bagnata
- 2.3. Installazione di accessori opzionali per la modifica delle condizioni di tiraggio locali, la circolazione dell'aria o altre circostanze al di fuori del controllo di Jøtul
- 2.4. Casi di alterazione / modifica del focolare senza il previo consenso di Jøtul o l'utilizzo di parti non originali
- 2.5. Danni causati durante l'immagazzinaggio presso un distributore, il trasporto dal distributore o durante l'installazione
- 2.6. Prodotti venduti da rivenditori non autorizzati in aree in cui Jøtul opera un sistema di distribuzione selettiva
- 2.7. Costi associati (ad es., senza limitazione, trasporto, manodopera, trasferimento) o danni indiretti

Stufe a pellet, vetro, pietra, cemento, smalto e finitura a vernice (ad es., senza limitazione, scheggiatura, formazione di crepe, bolle o scolorimento e screpolatura) sono applicabili alle normative nazionali che disciplinano la vendita dei prodotti al consumo. La presente garanzia è valida per gli acquisti effettuati all'interno del territorio dello Spazio economico europeo. Qualsiasi domanda relativa alla garanzia deve essere rivolta al rivenditore Jøtul autorizzato di zona entro un periodo di tempo ragionevole, non successivo a 14 giorni dalla data in cui il guasto o il difetto si sono manifestati per la prima volta. Vedere l'elenco dei rivenditori sul nostro sito Web.jotul.com.

Se Jøtul non sarà in grado di rispettare i termini della garanzia per la stufe del cliente (fuori produzione), Jøtul offrirà al cliente una stufa di pari capacità di riscaldamento ma di modello differente.

Jøtul si riserva il diritto di rifiutare qualsiasi sostituzione di componenti o attività di assistenza nel caso in cui la garanzia non sia stata registrata online. La presente garanzia non pregiudica alcun diritto previsto dalle normative nazionali che disciplinano la vendita di prodotti al consumo. Il diritto di reclamo del cittadino è valido dalla data di acquisto e solo dietro presentazione di scontrino/numero di serie.



NO | Kvalitet og sikkerhets kontroll

Siden 1853 har Jøtul vært kjent for å produsere ovner og peiser av høy kvalitet og med lang levetid. Vi ønsker å tilby våre kunder de absolutt beste produktene og gir derfor også markedets lengste garanti. Gjennom vår produkt- og kvalitetskontroll vektlegges nettopp dette – trygghet og sikkerhet. Kontrollen forsikrer deg som forbruker et sikkert og godt kvalitetsprodukt gjennom hele produktets levetid. Velger du en Jøtul gjør du et trygt valg.

EN | Quality and safety control

Since 1853 Jøtul has been known for manufacturing stoves and fireplaces of high quality and long lifetime. We want to offer our customers the absolute best products and therefore we have the longest guarantee on the market. Through our product and quality control, we emphasize this - safety and security. Our control assures you, the consumer a safe and good quality product throughout its lifetime. By choosing Jøtul, you have made a safe choice.

Utført/ Checked	Kvalitet og Sikkerhets kontroll for F 500 Eco -familien	Quality and safety check for F 500 Eco- family
	Overflater er i henhold til Jøtuls kvalitetsstandard	Surfaces are according to Jøtul workmanship standard
	Glass er kontrollert, og fri for hakk, merker, riper	The glass is inspected and without any marks and scratches
	Glasset dekker lisser, og hver spalte er lik mot dør på alle sider.	The glass is assembled correctly over the rope and with the same distance to the door on all sides.
	Synlige skruer, glassklips, hengsler er montert riktig og etter sjekket.	All visible screws, hinges and clips are checked and assembled correctly.
	Lukkemekanismer og ventiler er riktig justert og tilpasset til produktet.	Locking mechanisms and valves are controlled and adjusted to the product.
	Lukkemekanismen er funksjons testet og fungerer som den skal.	The locking mechanism is tested, and works correctly.
	Pakninger er riktig lagt, godt limt og plassert med riktig pakningstrykk.	Ropes are correct, fastened and assembled with correct pressure.

	Tilleggskomponenter er lagt ved produktet: Mappe m/ M&B + Eco Label, og pose pakket. Røykstuss legges også ved.	Additional components are included: 1PCS M&B, and accessory bag and smoke outlet.
	Godkjenningsskilt er sjekket mot serienummer, og stemmer med produktet.	Approval sign is checked and serial number correspond with this product.
	Døren er riktig justert	The door is correctly adjusted.
	1 stk trekkventil er funksjons testet og funnet i orden.	1 pcs. of air valves are controlled, tested and works fine.
	Målt verdi for lekkasjekontroll: m³/t	Leakage test is conducted. Measured value: m³/t

Jøtul bekrefter herved at dette produktet er kontrollert og funnet å være i samsvar med våre kvalitetsnormer.	Jøtul hereby confirm that this product has been QC inspected and found to comply with our quality standards.	
Lot#/Serie nr.	Checked by/ kontrollert av	Date/Dato:

Cat.no. 10058558-P08
Jøtul AS, April 2024

Jøtul arbeider kontinuerlig for om mulig å forbedre sine produkter, og vi forbeholder oss retten til å endre spesifikasjoner, farger og utstyr uten nærmere kunngjøring.

Jøtul AS arbejder kontinuerlig med om mulig at forbedre sine produkter, og vi forbeholder os ret til at endre specifikationer, farver og udstyr uden nærmere kundgjøring.

Jøtul arbetar kontinuerligt för om möjligt kunna förbättra sina produkter, och vi förbehåller oss rätten att ändra specifikationer , färger och tillbehör utan att meddela.

Jøtul kehittää jatkuvasti tuotteitaan. Pidätämme siksi oikeuden tehdä muutoksia tuotteiden tietoihin, väreihin ja varusteisiin ilman erillistä ilmoitusta

Kvalitet

Vår kvalitetspolitikk skal gi kundene den trygghet og kvalitetsopplevelse som Jøtul har stått for siden bedriftens historie startet i 1853.

Kvalitet

Vores kvalitetspolitik skal give kunderne den tryghed og kvalitetsoplevelse som Jøtul har stået for siden virksomhedens historie startet i 1853.

Kvalitet

Vår kvalitetspolitik skall ge kunderna trygghet och kvalitetsupplevelse som Jøtul har stått för sedan företaget startade 1853.

Laatu

Laatua koskevien menettelytapojemme tulee antaa asiakkaillemme kokemus siitä turvallisuudesta ja laadusta, josta Jøtul on tunnettu perustamisestaan, vuodesta 1853, lähtien.



Jøtul AS,
P.o. box 1411
N-1602 Fredrikstad,
Norway
www.jotul.com